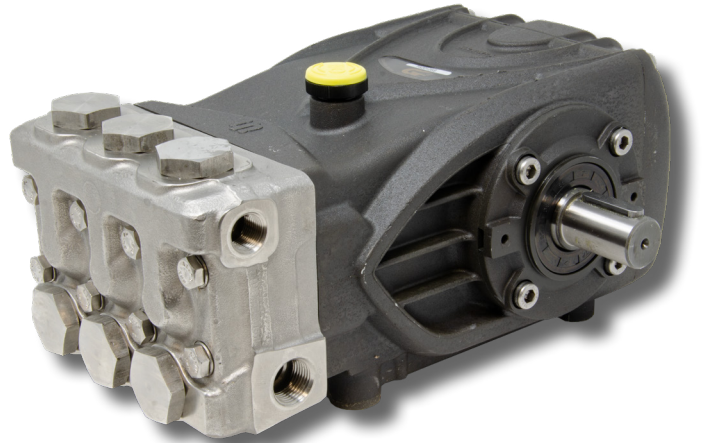


## FEATURES

- 316 Stainless Steel manifold for maximum corrosion resistance
- The preferred pump frame in the pressure cleaning industry
- Solid ceramic plungers with continuously lubricated packings
- Over-sized connecting rods for maximum life
- Features patent-pending “high tech” packings:
  - dynamic low-pressure seal retainer
  - superior low-pressure seal
  - innovative intermediate ring
  - superior high-pressure seal



## SPECIFICATIONS

| Pump Model             | TS2010SS                        | TS2012SS         | TS2012SS<br>Alt. Spec | TS2016SS         | TS2212SS         | TS2212SS<br>Alt. Spec |
|------------------------|---------------------------------|------------------|-----------------------|------------------|------------------|-----------------------|
| Max Volume             | 3.4 GPM                         | 4.0 GPM          | 4.75 GPM              | 5.55 GPM         | 4.75 GPM         | 5.55 GPM              |
| Max Discharge Pressure | 2200 PSI                        | 3000 PSI         | 2200 PSI              | 3000 PSI         | 2200 PSI         |                       |
| Horsepower             | 5.12 EBHP                       | 8.2 EBHP         | 7.2 EBHP              | 11.4 EBHP        | 7.2 EBHP         | 8.4 EBHP              |
| Max Pump Speed         | 1450 RPM                        | 1450 RPM         | 1750 RPM              | 1450 RPM         | 1750 RPM         |                       |
| Max Inlet Pressure     | 125 PSI                         |                  |                       |                  |                  |                       |
| Max Inlet Vacuum       | 9 ft. Water / 7.9 in. Hg        |                  |                       |                  |                  |                       |
| Plunger Bore           | .787 in. / 20 mm                |                  |                       |                  | .866 in. / 22 mm |                       |
| Plunger Stroke         | .394 in / 10 mm                 | .472 in. / 12 mm |                       | .630 in. / 16 mm | .472 in. / 12 mm |                       |
| Oil Capacity           | 40.6 oz                         |                  |                       |                  |                  |                       |
| Max Fluid Temp         | 185° F                          |                  |                       |                  |                  |                       |
| Inlet Port Thread      | 1/2-14 BSP-F                    |                  |                       |                  |                  |                       |
| Discharge Port Thread  | 3/8-19 BSP-F                    |                  |                       |                  |                  |                       |
| Shaft Diameter         | .945 in. / 24 mm                |                  |                       |                  |                  |                       |
| Weight                 | 31 lbs.                         |                  |                       |                  |                  |                       |
| Dimensions             | 12.42 in. x 9.29 in. x 7.09 in. |                  |                       |                  |                  |                       |

TRIPLEX

TRIPLEX



General Pump is a member of the Interpump Group

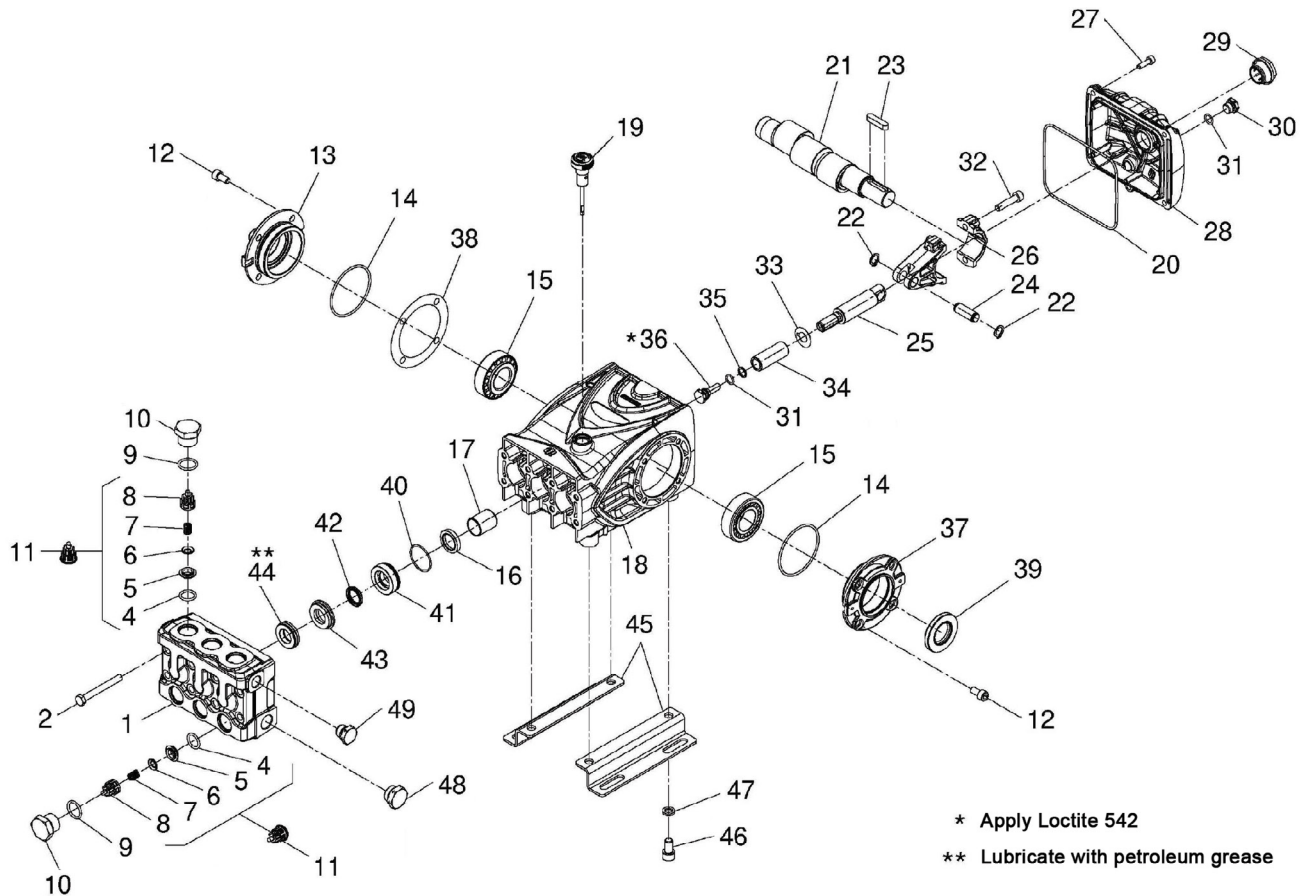


Ref 300345 Rev. N  
12-23



# 47 Series SS - Stainless Steel

**GENERAL PUMP** *A member of the Interpump Group*



\* Apply Loctite 542

\*\* Lubricate with petroleum grease

## PART LIST

| No. | Part No. | Description               | Qty. |
|-----|----------|---------------------------|------|
| 1.  | 47121936 | Manifold, SS              | 1    |
| 2.  | 99320700 | Screw, M8 x 70            | 8    |
| 4.  | 90384100 | O-ring, Ø17.13 x 2.62     | 8    |
| 5.  | 36200366 | Seat, Valve               | 6    |
| 6.  | 36200176 | Plate, Valve              | 6    |
| 7.  | 94737300 | Spring, Ø9.4 x 14.8       | 6    |
| 8.  | 36202251 | Guide, Valve              | 6    |
| 9.  | 90384700 | O-ring, Ø20.29 x 2.62     | 6    |
| 10. | 98223000 | Cap, SS                   | 6    |
| 11. | 36713001 | Valve Assembly            | 6    |
| 12. | 99303800 | Screw, M8 x 16            | 8    |
| 13. | 47151122 | Cover, Crankcase          | 1    |
| 14. | 90391300 | O-ring, Ø67.95 x 2.62     | 2    |
| 15. | 640047   | Bearing, Roller           | 2    |
| 16. | 90162500 | Seal, Oil, Ø22 x 32 x 2.5 | 3    |
| 17. | 90912600 | Bushing, Ø22 x 25 x 30    | 3    |
| 18. | 47010822 | Crankcase                 | 1    |
| 19. | 98210600 | Oil Dip Stick             | 1    |
| 20. | 90392200 | O-ring, Cover             | 1    |

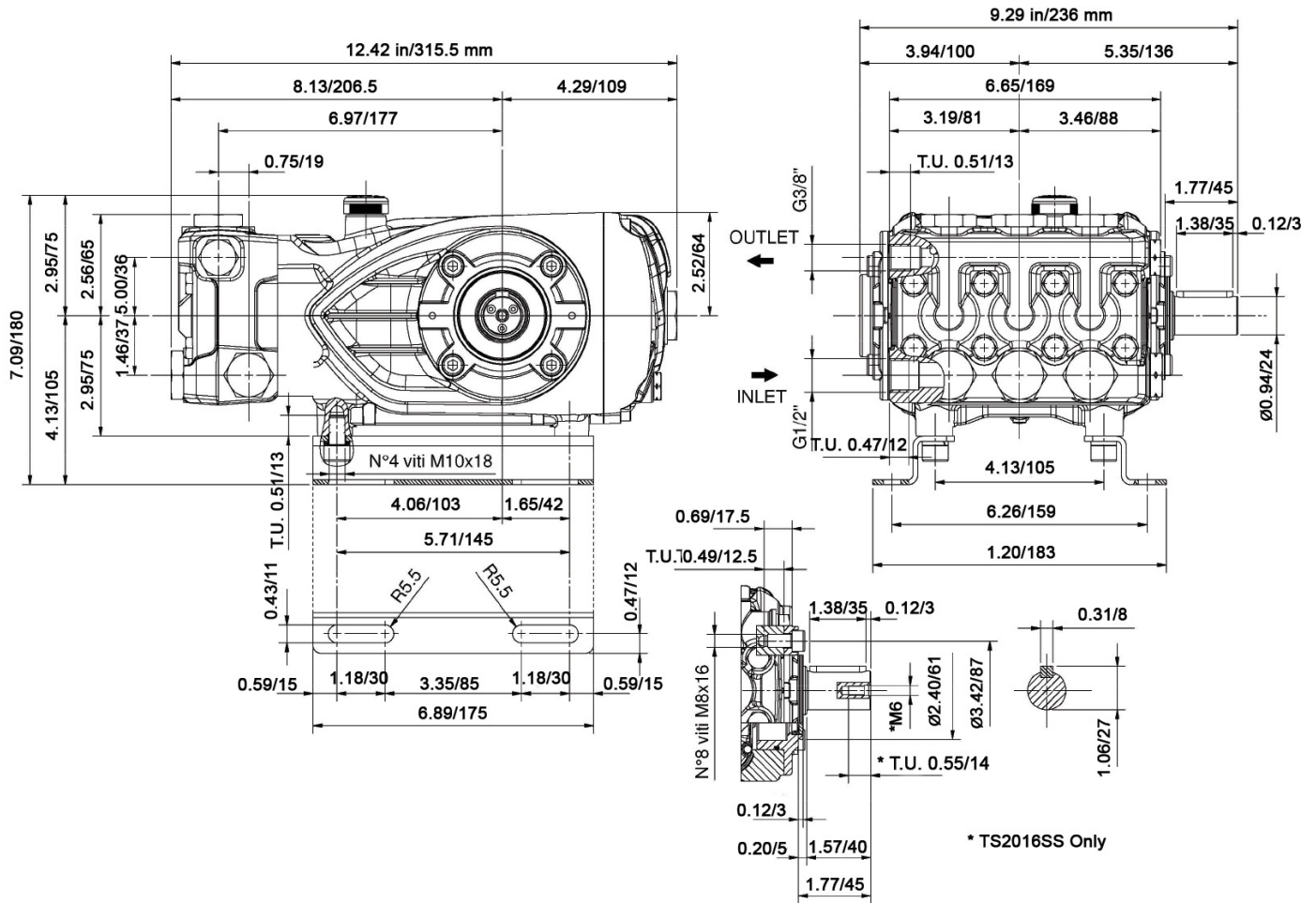
| No. | Part No. | Description                      | Qty. |
|-----|----------|----------------------------------|------|
|     | 47021735 | Crankshaft, (TS2016SS)           | 1    |
| 21. | 47021835 | Crankshaft, (TS2012SS, TS2212SS) | 1    |
|     | 47021935 | Crankshaft, (TS2012SS)           | 1    |
| 22. | 90055700 | Ring, Snap                       | 6    |
| 23. | 91489000 | Key                              | 1    |
| 24. | 97738000 | Pin, Wrist                       | 3    |
| 25. | 47050766 | Guide, Plunger                   | 3    |
| 26. | 47030001 | Connecting Rod                   | 3    |
| 27. | 99188300 | Screw, M6 x 20                   | 5    |
| 28. | 47160622 | Cover, Crankcase                 | 1    |
| 29. | 97596800 | Oil Indicator                    | 1    |
| 30. | 98204000 | Plug                             | 1    |
| 31. | 90358500 | O-ring, 10.82 x 1.78             | 4    |
| 32. | 99309900 | Screw, M8 x 35                   | 6    |
| 33. | 96728700 | Washer,                          | 3    |
|     | 47040409 | Plunger, 20 mm                   |      |
| 34. | 47040509 | Plunger, 22 mm (TS2212SS)        | 3    |
| 35. | 90506700 | Ring, Back-up                    | 3    |

| No. | Part No. | Description                  | Qty. |
|-----|----------|------------------------------|------|
| 36. | 47219766 | Screw, Plunger               | 3    |
| 37. | 47151022 | Cover, Crankcase             | 3    |
| 38. | 97567800 | Shim                         | 2    |
| 39. | 90164800 | Seal, Oil                    | 1    |
| 40. | 90361600 | O-ring, Ø34.65 x 1.78        | 3    |
|     | 47081566 | Retainer, Packing            |      |
| 41. | 47081666 | Retainer, Packing (TS2212SS) | 3    |
| 42. | 90272500 | Packing                      | 3    |
|     | 90230000 | Packing (TS2212SS)           |      |
|     | 47217666 | Ring, Head, Ø20              |      |
| 43. | 47217766 | Ring, Head, Ø22 (TS2212SS)   | 3    |
|     | 90226200 | Intermed. Ring               |      |
| 44. | 90231000 | Intermed. Ring (TS2212SS)    | 3    |
| 45. | 47200074 | Pump Feet                    | 2    |
| 46. | 99364400 | Screw, M10 x 18              | 4    |
| 47. | 96710600 | Washer, Ø10                  | 4    |
| 48. | 98218000 | Plug, G 1/2 x 10             | 1    |
| 49. | 96751400 | Plug, G 3/8 x 13             | 1    |

Ref 300345 Rev. N  
12-23



## DIMENSIONS (Inches/mm)



## REPAIR KITS

| KIT NO.                              | 2  | 3  | 192                     | 238<br>Ø20 | 239<br>Ø20               | 202<br>Ø22 | 240<br>Ø22               |
|--------------------------------------|----|----|-------------------------|------------|--------------------------|------------|--------------------------|
| ITEM NO's INCLUDED IN KIT            | 16 | 39 | 4, 5, 6<br>7, 8<br>(11) | 42, 44     | 40, 41,<br>42, 43,<br>44 | 42, 44     | 40, 41,<br>42, 43,<br>44 |
| NUMBER OF ASSEMBLIES IN KIT          | 3  | 2  | 6                       | 6          | 1                        | 6          | 1                        |
| NUMBER OF CYLINDERS KIT WILL SERVICE | 3  | -- | 6                       | 3          | 1                        | 3          | 1                        |

## TORQUE SPECS\*

| Pos. | Ft/lb | N-M |
|------|-------|-----|
| 2    | 18.4  | 25  |
| 10   | 95.9  | 130 |
| 12   | 14.8  | 20  |
| 27   | 7.4   | 10  |
| 29   | 8.9   | 12  |
| 30   | 14.8  | 20  |
| 32   | 14.8  | 20  |
| 36   | 14.8  | 20  |
| 46   | 29.5  | 40  |
| 48   | 29.5  | 40  |
| 49   | 29.5  | 40  |

\* Decrease torque by 20% if threads are lubricated

**WARNING: High Pressure Systems require a primary pressure regulating device (i.e. regulator, unloader) and a secondary pressure relief device (i.e. pop-off valve, relief valve). Failure to install such relief devices properly could result in personal injury or damage to pump or property. GP does not assume any liability or responsibility for the operation of the user's high pressure system.**



WARNING: This product can expose you to chemicals including lead, which is known to the state of California to cause cancer and birth defects or other reproductive harm. For more information, go to [www.P65Warnings.ca.gov](http://www.P65Warnings.ca.gov)