

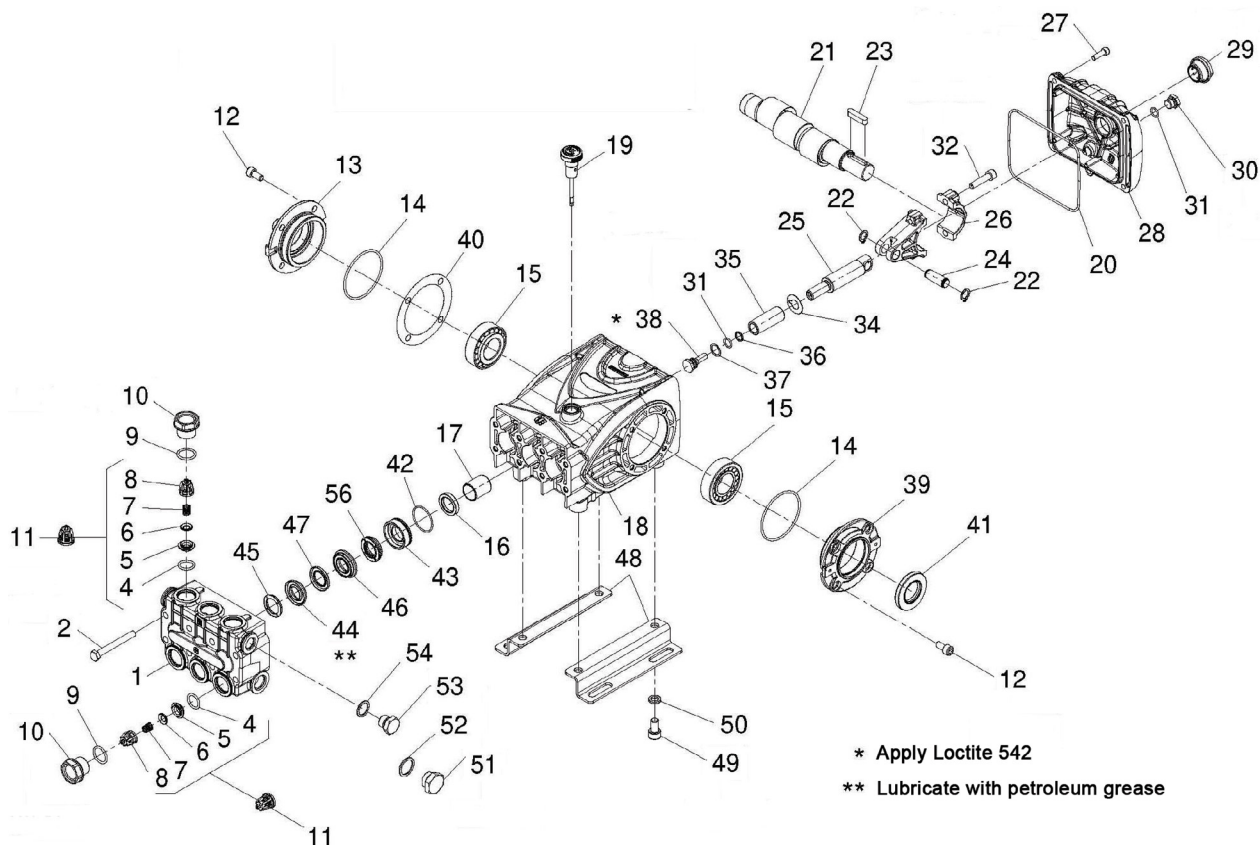
**FEATURES**

- The preferred pump frame in the pressure cleaning industry
- Forged, nickel-plated, brass manifold
- Large-capacity, die-cast, anodized aluminum oil-bath crankcase
- Over-sized connecting rods for maximum life
- Heavy-duty tapered roller bearing
- Solid ceramic plungers with continuously lubricated packings
- Unitized stainless steel inlet and discharge valves

**SPECIFICATIONS**

<b>Pump Model</b>	<b>TS2021</b>
Maximum Volume (GPM)	4.5 / 5.6
Maximum Discharge Pressure (PSI)	3500
Maximum Pump Speed (RPM)	1125 / 1450
Maximum Inlet Pressure	125 PSI
Maximum Inlet Vacuum	9 ft. water (7.9 in. Hg)
Plunger Bore	.787 in. / 20 mm
Plunger Stroke	.630 in. / 16 mm
Crankcase Oil Capacity	37.2 oz.
Maximum Fluid Temperature	165° F
Inlet Port Thread	1/2-14 BSPP-F
Discharge Port Thread	3/8-19 BSPP-F
Shaft Diameter	.945 in. / 24 mm
Weight	32 lbs.
Dimensions	12.50" x 9.29" x 7.09"





## PARTS LIST

No.	Part No.	Description	Qty.	No.	Part No.	Description	Qty.	No.	Part No.	Description	Qty.
1	47120941	Manifold, Ni. Plt. (TSS2021)	1	19.	98210600	Oil Dip Stick	1	39.	47151022	Cover, Crankcase	3
2.	99320600	Screw, M8 x 70	8	20.	90392200	O-ring, Cover	1	40.	97567800	Shim	2
4.	90384100	O-ring, Ø17.13 x 2.62	8	21.	47021735	Crankshaft, USA	1	41.	90164800	Seal, Oil	1
5.	36200366	Seat, Valve	6	22.	90055700	Ring, Snap	6	42.	90361600	O-ring, Ø34.65 x 1.78	3
6.	36200176	Plate, Valve	6	23.	640048	Key	1	43.	47080570	Retainer, packing	3
7.	94737600	Spring	6	24.	97738000	Pin, Wrist	3	44.	90270500	Packing	3
8.	36200251	Guide, Valve	6	25.	47050466	Guide, Plunger	3	45.	47100051	Ring, Head, M20	3
9.	90384700	O-ring, Ø20.29 x 2.62	6	26.	47030001	Connecting Rod	3	46.	47216970	Intermed. Ring	3
10.	98222000	Cap	6	27.	99188400	Screw, M6x20	5	47.	90270400	Restop Ring	3
	98222200	Cap, Ni. Plt (TSS2021)	6	28.	47160622	Cover, Crankcase	1	48.	47200074	Pump Feet	2
11.	36703201	Valve Assembly	6	29.	47221301	Oil Indicator	1	49.	99364400	Screw, M10 x 18	4
12.	99303900	Screw, M8 x 16	8	30.	98204250	Plug	1	50.	96710600	Washer, M10.2	4
13.	47151122	Cover, Crankcase	1	31.	90358500	O-ring, 10.82 x 1.78	4	51.	98217600	Cap	1
14.	90393000	O-ring, Ø67.95 x 2.62	2	32.	99309900	Screw, M8 x 35	6	52.	96751400	Washer, M21.5	1
15.	640047	Bearing, Roller	2	34.	96728600	Washer, M14	3	53.	98210000	Cap	1
16.	90162500	Seal, Oil, Ø22 x 32 x 2.5	3	35.	47040409	Plunger, 20 mm	3	54.	96738000	Washer, M17.5	1
17.	90912600	Bushing, Ø22 x 25 x 30	3	36.	90506700	Ring, Back-up	3	56.	90271000	Seal, Low Press, 20 mm	3
18.	47010822	Crankcase	1	37.	96728000	Washer	3				
				38.	47219566	Screw, Plunger	3				

## REPAIR KITS

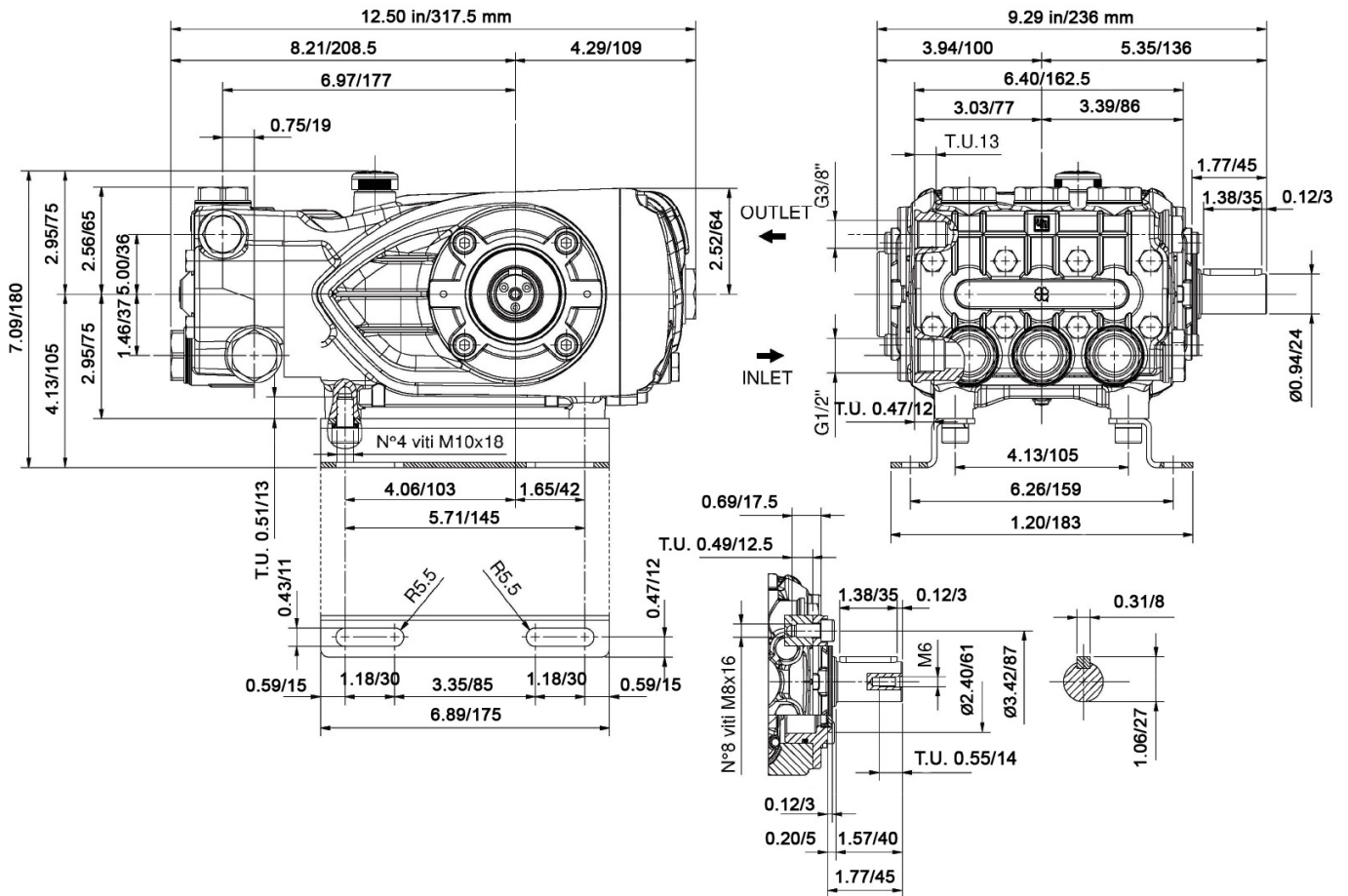
KIT NO.	1	2	3	4	5	6	7	10	28	69	71
ITEM NO's INCLUDED IN KIT	4,5,6 7,8 (11)	16	41	9, 10	9, 10	31,34,36 37,38	45	42, 43	42, 43 44, 45 46,47,56	44, 47 56	46, 47
NUMBER OF ASSEMBLIES IN KIT	6	3	2	6	6	3	6	3	1	3	3
NUMBER OF CYLINDERS KIT WILL SERVICE	3	3	-	3	3	3	3	3	1	3	3

## TORQUE SPECS\*

Pos.	Ft/lb	N-M
2	22.1	30
10	95.9	130
12	14.7	20
27	7.3	10
29	8.8	12
30	14.7	20
32	14.7	20
38	14.7	20
49	29.4	40
51	29.4	40
53	29.4	40

\* Decrease torque by 20% if threads are lubricated

## DIMENSIONAL DRAWING



## WARNINGS

**WARNING:** High Pressure Systems require a primary pressure regulating device (i.e. regulator, unloader) and a secondary pressure relief device (i.e. pop-off valve, relief valve). Failure to install such relief devices properly could result in personal injury or damage to pump or property. GP does not assume any liability or responsibility for the operation of the user's high pressure system.



WARNING: This product can expose you to chemicals including lead, which is known to the state of California to cause cancer and birth defects or other reproductive harm. For more information, go to [www.P65Warnings.ca.gov](http://www.P65Warnings.ca.gov)