

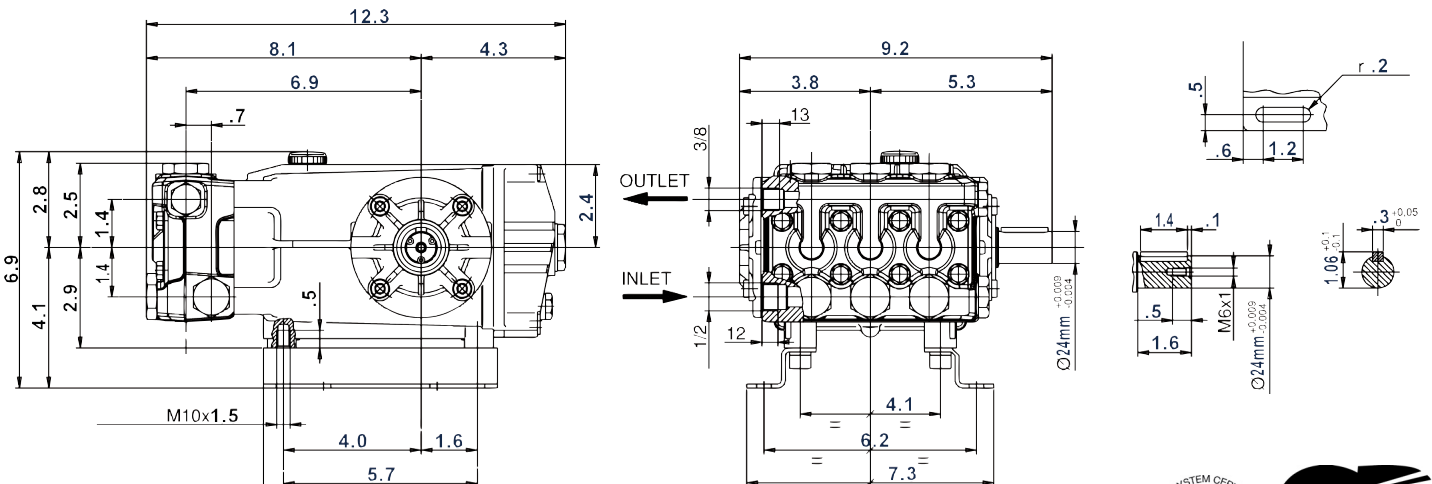
## FEATURES

- 316 Stainless Steel manifold for maximum corrosion resistance
- The preferred pump frame in the pressure cleaning industry
- Solid ceramic plungers with continuously lubricated packings
- Over-sized connecting rods for maximum life
- Features patent-pending "high tech" packings:
  - dynamic low-pressure seal retainer
  - superior low-pressure seal
  - innovative intermediate ring
  - superior high-pressure seal



## SPECIFICATIONS

Pump Model	TS2016SSN
Max Volume	5.55 GPM
Max Discharge Pressure	3000 PSI
Horsepower	11.4 EBHP
Max Pump Speed	1450 RPM
Max Inlet Pressure	125 PSI
Max Inlet Vacuum	9 ft. Water / 7.9 in. Hg
Plunger Bore	.787 in. / 20 mm
Plunger Stroke	.630 in. / 16 mm
Oil Capacity	40.6 oz
Max Fluid Temp	185° F
Inlet Port Thread	1/2-14 BSP-F
Discharge Port Thread	3/8-19 BSP-F
Shaft Diameter	.945 in. / 24 mm
Weight	31 lbs.
Dimensions	12.25 in. x 9.2 in. x 6.9 in.



TRIPLEX

TRIPLEX



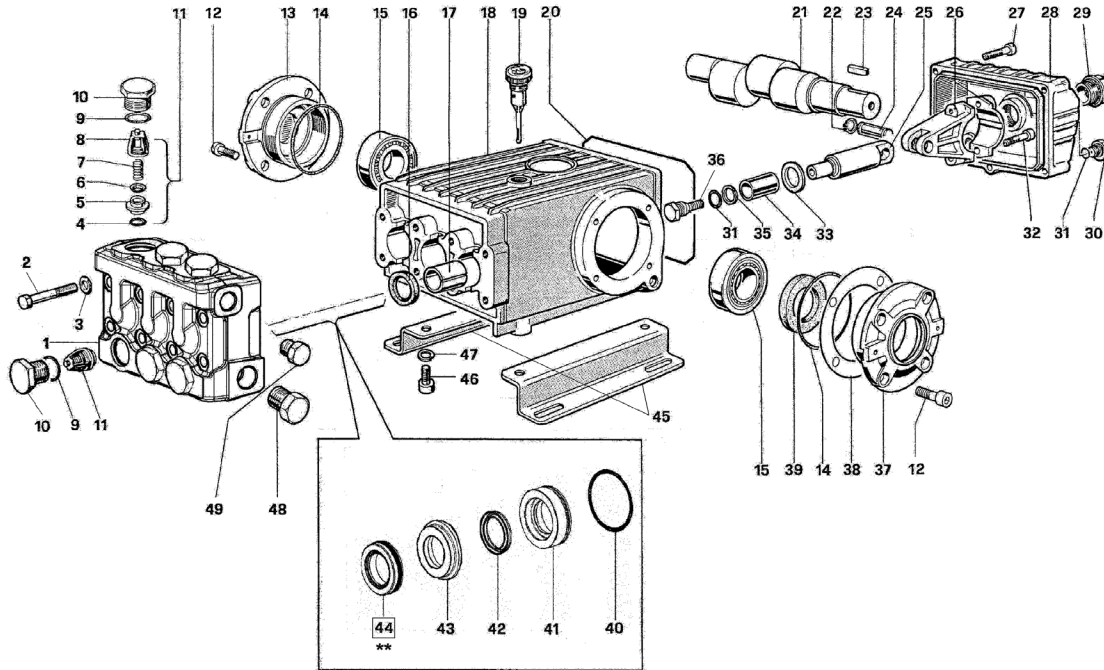
General Pump  
is a member of  
the Interpump Group

Ref 301086 Rev. A  
09-21



# 47 Series SS - Stainless Steel

**GENERAL PUMP** *A member of the Interpump Group*



## PARTS LIST

ITEM	PART NO.	DESCRIPTION	QTY.	ITEM	PART NO.	DESCRIPTION	QTY.	ITEM	PART NO.	DESCRIPTION	QTY.
1.	47121936	Manifold	1	22.	90055700	Circlip	6	44.	90226200	High Pressure Seal, 20mm	3
2.	99320700	Headbolt, SS, M8 x 70	8	23.	91489000	Key	1	45.	47200074	Pump rail	2
3.	96702200	Washer, SS, 8.4 x 15 x 1.5	8	24.	97738000	Wrist pin	3	46.	99364400	Screw, M10 x 18, zinc plated	4
4.	90384100	O-ring, 17.32 x 2.62	6	25.	47050766	Piston guide	3	47.	96710600	Washer, M10, zinc plated	4
5.	36203666	Valve seat	6	26.	47030001	Connecting rod, complete	3	48.	98218000	Plug, 1/2 x 10, SS	1
6.	36200176	Valve poppet	6	27.	99191300	SHCS, M6 x 30 zinc plated	5	49.	98210066	Plug, 3/8 x 13, SS	1
7.	94737300	Valve spring	6	28.	47160122	Back cover, deep	1				
8.	36200251	Valve cage	6	29.	97596800	Oil level sightglass	1				
9.	701002	O-ring 20.24 x 2.62	6	30.	98204000	Plug, 1/4 x 9	1				
10.	98222200	Valve cap, Nickel Plated Brass	6	31.	90358500	O-ring, 10.82 x 1.78	4				
11.	36728801	Valve assy, complete	6	32.	99309900	SHCS, M8 x 35 zinc plated	6				
12.	99303800	SHCS, M8 x 16 zinc plated	8	33.	96728700	Washer, Flinger SS, 8.4x13x0.8	6				
13.	47150122	Side cover	1	34.	47040409	Plunger, 20 mm	3				
14.	90391300	O-ring, 67.95 x 2.62	2	35.	90506700	Anti-extrusion ring	3				
15.	91837800	Bearing	2	36.	47219766	Plunger bolt	3				
16.	90162500	Oil seal, plunger rod	3	37.	47150022	Crankcase Cover	1				
17.	90912600	Guide sleeve	3	38.	97567800	Spacer	2				
18.	47010022	Crankcase	1	39.	90164800	Shaft oil seal 30 x 55 x 7	1				
19.	98210600	Vented dipstick	1	40.	90361600	O-ring, 34.65 x 1.78	3				
20.	90392200	O-ring, 133.02 x 2.62	1	41.	47081566	Seal Retainer, 20mm	3				
21.	47021735	Crankshaft, 16mm stroke	1	42.	90225000	Low Pressure Seal, 20mm	3				
				43.	47217666	Intermediate ring, 20mm	3				

## REPAIR KITS

KIT NO.			238 or 202 (20 mm) (22 mm)		239 or 240 (20 mm) (22 mm)	
	2	3				
ITEM NO's INCLUDED IN KIT	16	41	42, 44		40, 41, 42, 43, 44	
NUMBER OF ASSEMBLIES IN KIT	3	2	6		1	
NUMBER OF CYLINDERS KIT WILL SERVICE	3	--	3		1	

## TORQUE SPECS\*

Pos.	Ft/lb	N-M
2	18.4	25
10	95.9	130
12	14.8	20
27	7.4	10
29	8.9	12
30	14.8	20
32	14.8	20
36	14.8	20
46	29.5	40
48	29.5	40
49	29.5	40

\* Decrease torque by 20% if threads are lubricated

**GENERAL PUMP** 1174 Northland Drive • Mendota Heights, MN 55120  
Phone: 651.686.2199 • Fax: 800.535.1745 • e-mail: sales@gpcompanies.com • www.generalpump.com

Ref 301086 Rev. A  
09-21

