

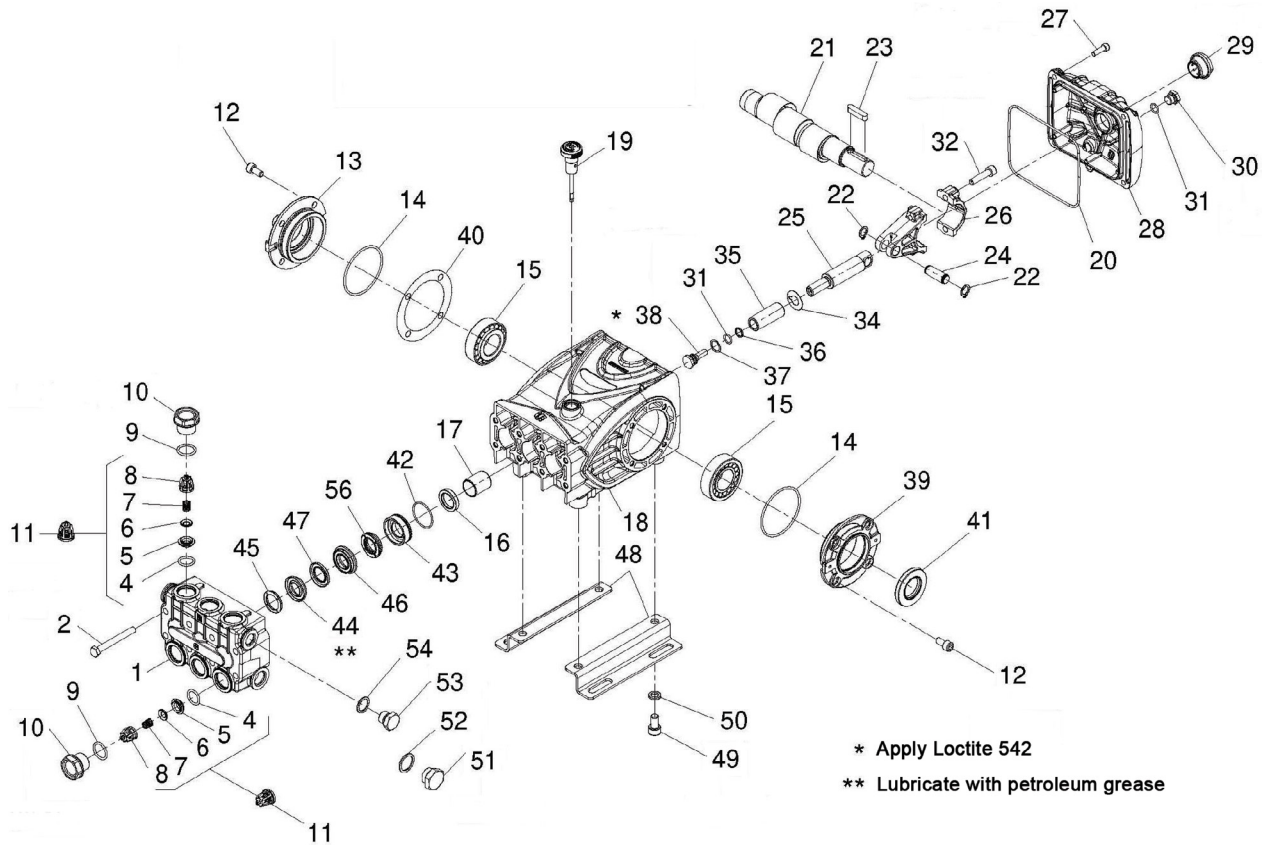
FEATURES

- The preferred pump frame in the pressure cleaning industry
- Forged brass manifold (TS921 and TS1321)
- Forged, nickel-plated, brass manifold (TS1621)
- Large capacity, die-cast, anodized aluminum oil-bath crankcase
- Over-sized connecting rods for maximum life
- Heavy-duty tapered roller bearing
- Solid ceramic plungers with continuously lubricated packings
- Unitized stainless steel inlet and discharge valves

**SPECIFICATIONS**

Pump Model	TS1321	TS1621
Maximum Volume	4.75 GPM	
Maximum Discharge Pressure	2100 PSI	2500 PSI
Maximum Pump Speed	1450 RPM	
Maximum Inlet Pressure	125 PSI	
Maximum Inlet Vacuum	9 ft. water (7.9 in. Hg)	
Bore	.866 in. / 22 mm	
Stroke	.472 in. / 12 mm	
Crankcase Oil Capacity	37.2 oz.	
Maximum Fluid Temperature	165° F	
Inlet Port Thread	1/2-14 BSPP-F	
Discharge Port Thread	3/9-19 BSPP-F	
Shaft Diameter	.945 in. / 24 mm	
Weight	32 lbs.	
Dimensions	12.50" x 9.29" x 7.09"	





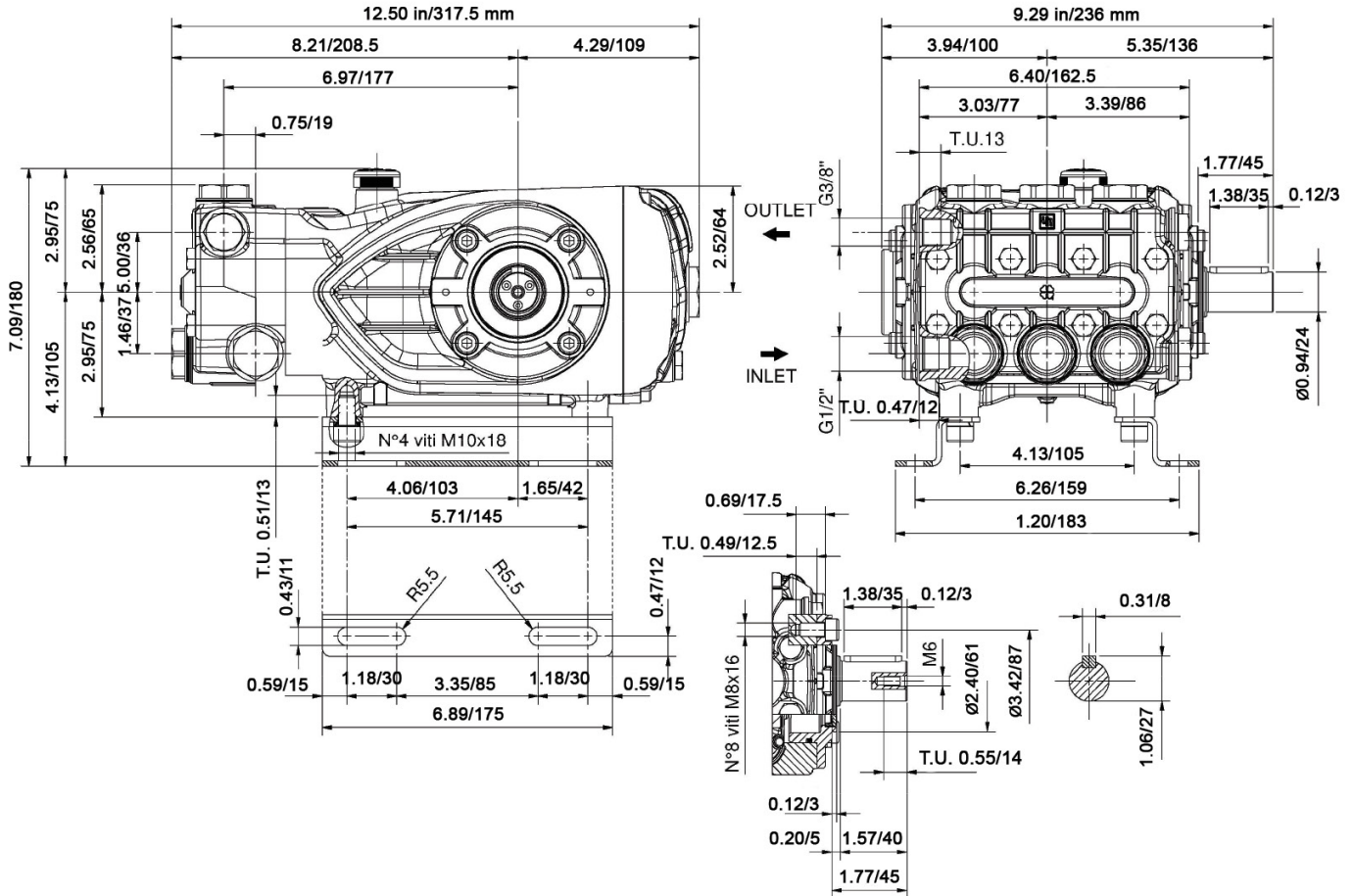
PART LIST

No.	Part No.	Description	Qty.
1.	47120841	Manifold	1
	47120941	Manifold, Ni. Plt. (TS1621)	1
2.	99320600	Screw, M8 x 70	8
4.	90384100	O-ring, Ø17.13 x 2.62	8
5.	36200366	Seat, Valve	6
6.	36200176	Plate, Valve	6
7.	94737600	Spring	6
8.	36200251	Guide, Valve	6
9.	90384700	O-ring, Ø20.29 x 2.62	6
10.	98222000	Cap	6
	98222200	Cap, Ni. Plt (TS1621)	6
11.	36703201	Valve Assembly	6
12.	99303900	Screw, M8 x 16	8
13.	47151122	Cover, Crankcase	1
14.	90393000	O-ring, Ø67.95 x 2.62	2
15.	640047	Bearing, Roller	2
16.	90162500	Seal, Oil, Ø22 x 32 x 2.5	3
17.	90912600	Bushing, Ø22 x 25 x 30	3
18.	47010822	Crankcase	1

No.	Part No.	Description	Qty.
19.	98210600	Oil Dip Stick	1
20.	90392200	O-ring, Cover	1
21.	47021735	Crankshaft, USA	1
22.	90055700	Ring, Snap	6
23.	640048	Key	1
24.	97738000	Pin, Wrist	3
25.	47050466	Guide, Plunger	3
26.	47030001	Connecting Rod	3
27.	99188400	Screw, M6x20	5
28.	47160622	Cover, Crankcase	1
29.	47221301	Oil Indicator	1
30.	98204250	Plug	1
31.	90358500	O-ring, 10.82 x 1.78	4
32.	99309900	Screw, M8 x 35	6
34.	96728600	Washer, M14	3
35.	47040509	Plunger, 22 mm	3
36.	90506700	Ring, Back-up	3
37.	96728000	Washer	3
38.	47219566	Screw, Plunger	3

No.	Part No.	Description	Qty.
39.	47151022	Cover, Crankcase	3
40.	97567800	Shim	2
41.	90164800	Seal, Oil	1
42.	90361600	O-ring, Ø34.65 x 1.78	3
43.	47080670	Retainer, packing	3
44.	90272500	Packing	3
45.	46100051	Ring, Head, M22	3
46.	47217070	Intermed. Ring	3
47.	90273000	Restop Ring	3
48.	47200074	Pump Feet	2
49.	99364400	Screw, M10 x 18	4
50.	96710600	Washer, M10.2	4
51.	98217600	Cap	1
52.	96751400	Washer, M21.5	1
53.	98210000	Cap	1
54.	96738000	Washer, M17.5	1
56.	90272800	Seal, Low Press, 22 mm	3

DIMENSIONS (Inches/mm)



REPAIR KITS

KIT NO.	1	2	3	4	5	6	11	14	29	148	149
ITEM NO's INCLUDED IN KIT	4, 5, 6, 7, 8, (11)	16	41	9, 10	9, 10	31, 34, 36, 37, 38	45	42, 43	43, 43, 44, 45, 46, 47, 56	44, 47, 56	46, 47
NUMBER OF ASSEMBLIES IN KIT	6	3	2	6	6	3	6	3	1	3	3
NUMBER OF CYLINDERS KIT WILL SERVICE	3	3	-	3	3	3	3	3	1	3	3

TORQUE SPECS*

Pos.	Ft/lb	N-M
2	22.1	30
10	95.9	130
12	14.7	20
27	7.3	10
29	8.8	12
30	14.7	20
32	14.7	20
38	14.7	20
49	29.4	40
51	29.4	40
53	29.4	40

* Decrease torque by 20% if threads are lubricated

WARNING: High Pressure Systems require a primary pressure regulating device (i.e. regulator, unloader) and a secondary pressure relief device (i.e. pop-off valve, relief valve). Failure to install such relief devices properly could result in personal injury or damage to pump or property. GP does not assume any liability or responsibility for the operation of the user's high pressure system.



WARNING: This product can expose you to chemicals including lead, which is known to the state of California to cause cancer and birth defects or other reproductive harm. For more information, go to www.P65Warnings.ca.gov