

**FEATURES**

- The preferred pump frame in the pressure cleaning industry
- Forged brass manifold (TS921 and TS1321)
- Forged, nickel-plated, brass manifold (TS1621)
- Large capacity, die-cast, anodized aluminum oil-bath crankcase
- Over-sized connecting rods for maximum life
- Heavy-duty tapered roller bearing
- Solid ceramic plungers with continuously lubricated packings
- Unitized stainless steel inlet and discharge valves

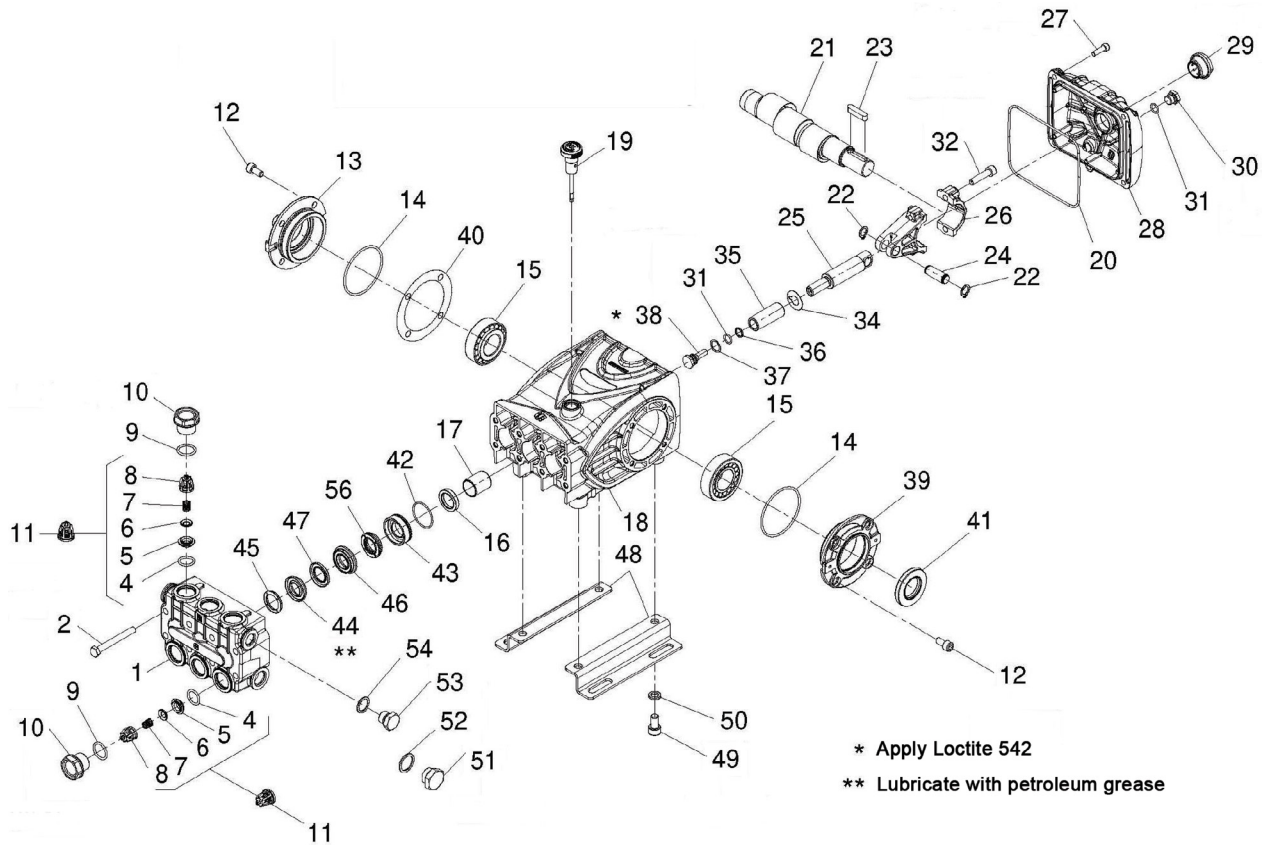
**SPECIFICATIONS**

Pump Model	TS1321	TS1621
Maximum Volume	4.75 GPM	
Maximum Discharge Pressure	2100 PSI	2500 PSI
Maximum Pump Speed	1450 RPM	
Maximum Inlet Pressure	125 PSI	
Maximum Inlet Vacuum	9 ft. water (7.9 in. Hg)	
Bore	.866 in. / 22 mm	
Stroke	.472 in. / 12 mm	
Crankcase Oil Capacity	37.2 oz.	
Maximum Fluid Temperature	165° F	
Inlet Port Thread	1/2-14 BSPP-F	
Discharge Port Thread	3/9-19 BSPP-F	
Shaft Diameter	.945 in. / 24 mm	
Weight	32 lbs.	
Dimensions	12.50" x 9.29" x 7.09"	

TRIPLEX

TRIPLEX





**PART LIST**

No.	Part No.	Description	Qty.
1.	47120841	Manifold	1
	47120941	Manifold, Ni. Plt. (TS1621)	1
2.	99320600	Screw, M8 x 70	8
4.	90384100	O-ring, Ø17.13 x 2.62	8
5.	36200366	Seat, Valve	6
6.	36200176	Plate, Valve	6
7.	94737600	Spring	6
8.	36200251	Guide, Valve	6
9.	90384700	O-ring, Ø20.29 x 2.62	6
10.	98222000	Cap	6
	98222200	Cap, Ni. Plt (TS1621)	6
11.	36703201	Valve Assembly	6
12.	99303900	Screw, M8 x 16	8
13.	47151122	Cover, Crankcase	1
14.	90393300	O-ring, Ø67.95 x 2.62	2
15.	640047	Bearing, Roller	2
16.	90162500	Seal, Oil, Ø22 x 32 x 2.5	3
17.	90912600	Bushing, Ø22 x 25 x 30	3
18.	47010822	Crankcase	1

No.	Part No.	Description	Qty.
19.	98210600	Oil Dip Stick	1
20.	90392200	O-ring, Cover	1
21.	47021735	Crankshaft, USA	1
22.	90055700	Ring, Snap	6
23.	640048	Key	1
24.	97738000	Pin, Wrist	3
25.	47050466	Guide, Plunger	3
26.	47030001	Connecting Rod	3
27.	99188400	Screw, M6x20	5
28.	47160622	Cover, Crankcase	1
29.	47221301	Oil Indicator	1
30.	98204250	Plug	1
31.	90358500	O-ring, 10.82 x 1.78	4
32.	99309900	Screw, M8 x 35	6
34.	96728600	Washer, M14	3
35.	47040509	Plunger, 22 mm	3
36.	90506700	Ring, Back-up	3
37.	96728000	Washer	3
38.	47219566	Screw, Plunger	3

No.	Part No.	Description	Qty.
39.	47151022	Cover, Crankcase	3
40.	97567800	Shim	2
41.	90164800	Seal, Oil	1
42.	90361600	O-ring, Ø34.65 x 1.78	3
43.	47080670	Retainer, packing	3
44.	90272500	Packing	3
45.	46100051	Ring, Head, M22	3
46.	47217070	Intermed. Ring	3
47.	90273000	Restop Ring	3
48.	47200074	Pump Feet	2
49.	99364400	Screw, M10 x 18	4
50.	96710600	Washer, M10.2	4
51.	98217600	Cap	1
52.	96751400	Washer, M21.5	1
53.	98210000	Cap	1
54.	96738000	Washer, M17.5	1
56.	90272800	Seal, Low Press, 22 mm	3

