

**GENERAL PUMP** *A member of the Interpump Group*

# TP Series 51, J34

*Triples Plunger Pump - SAE J609 Flange*

**FEATURES**

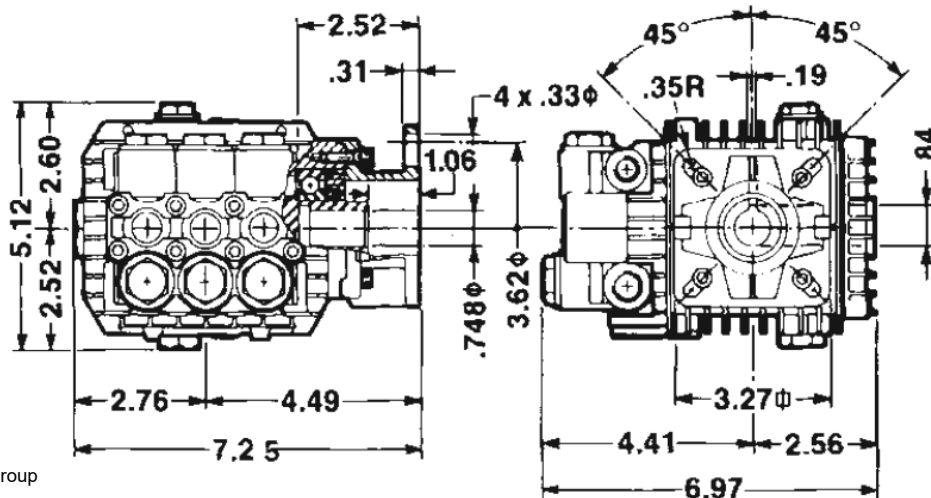
- Forged brass manifold
- Die-cast anodized aluminum, oil-bath crankcase
- Solid ceramic plungers with continuously lubricated packings
- The original Interpump unitized, stainless steel, K01 inlet and outlet valves
- Ideal for all general cleaning applications
- Comes standard with SAE J609 gasoline engine mounting flange
- Also available in "L" left-handed versions



**SPECIFICATIONS**

Pump Model	TP2520J34	TP2526J34	TP2530J34	TP2533J34
Maximum Volume	1.9 GPM	2.6 GPM	2.88 GPM	3.3 GPM
Maximum Discharge Pressure	2500 PSI			
Maximum Pump Speed	3400 RPM			
Maximum Inlet Pressure	125 PSI			
Maximum Inlet Vacuum	3 ft. water (2.6 in. Hg)			
Bore	.591 in. / 15 mm			
Stroke (in. / mm)	.197 / 5	.260 / 6.6	.283 / 7.2	.315 / 8
Crankcase Oil Capacity	11.0 oz.			
Maximum Fluid Temperature	165° F			
Inlet Port Thread	3/8-19 BSP-F			
Discharge Port Thread	1/4-19 BSP-F			
Hollow Shaft I. D.	3/4 in. / 19 mm			
Weight	11.4 lbs.			
Dimensions	7.0" x 7.2" x 5.5"			

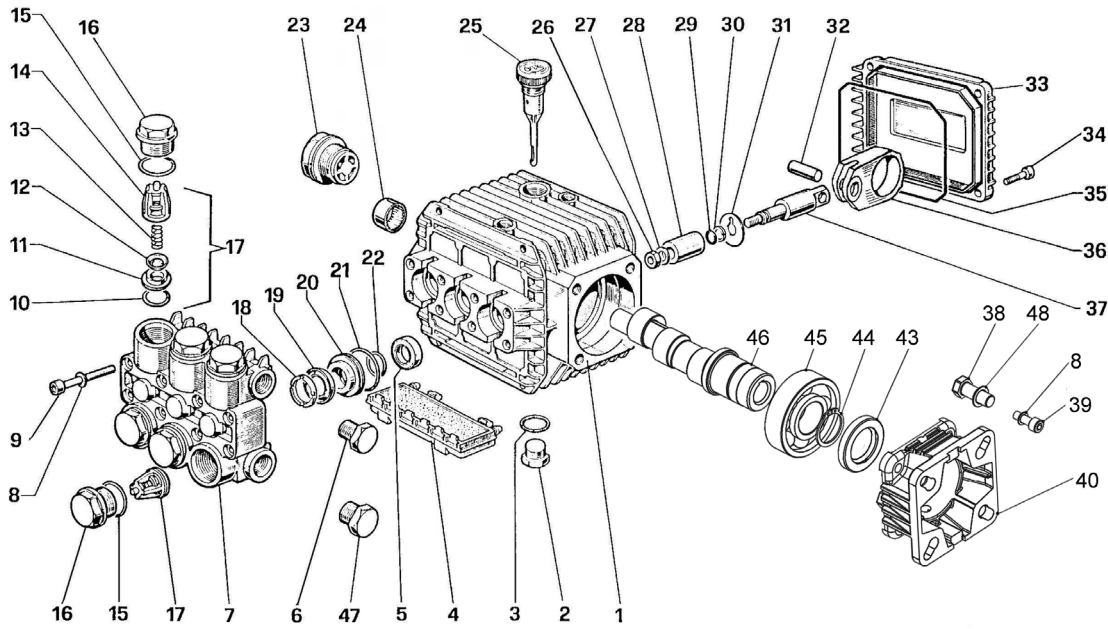
**DIMENSIONAL DRAWING**



General Pump is a member of the Interpump Group

Ref 300073 Rev G  
11-22





## PARTS LIST

ITEM	PART NO.	DESCRIPTION	QTY.	ITEM	PART NO.	DESCRIPTION	QTY.	ITEM	PART NO.	DESCRIPTION	QTY.
1.	51010622	Crankcase	1	18.	51100051	Head Ring, 15mm	3	35.	90391700	Cover Gasket	1
2.	98210050	Plug, 3/8-BSP	1	19.	90262000	Packing, 15mm	3	36.	51030122	Connecting Rod	3
3.	90383300	O-ring, .549 x .103	2	20.	51080070	Packing Retainer	3	37.	51050056	Plunger Guide	3
4.	51209051	Protector	1	21.	90360400	O-ring, .989 x.07086	3	38.	99273000	Bolt, 5/16"x3/4"x24	4
5.	710002	Oil Seal	3	22.	90383500	O-ring, .594 x .103	3	39.	99180700	Screw, M6x10	4
6.	98204100	Plug	1	23.	97596800	Sight Gauge	1	40.	10034622	Flange, SAE J 609	1
7.	51120441	Manifold	1	24.	91801500	Needle Bearing	1	43.	90165100	Oil Seal	1
8.	203510	Washer, M6.4, Schnorr	8	25.	98210300	Oil Dip Stick	1	44.	90066700	Circlip	1
9.	99194300	Screw, M6 x 40	8	26.	92221600	Nut, M8	3	45.	91737300	Crankshaft Bearing	1
10.	701115	O-ring, .674 x .103	6	27.	44211570	Washer, Ø8	3	46.	51021065	Crankshaft, C. 5,	1
11.	36200366	Valve Seat	6	28.	51040009	Plunger, 15 mm	3		51021165	Crankshaft, C. 6.6,	1
12.	36711501	Valve Plate	6	29.	90357300	O-ring, Ø5.28x1.78	3		51021865	Crankshaft, C. 8,	1
13.	94737600	Spring	6	30.	660024	Back-up Ring	3		51022165	Crankshaft, C. 7.2,	1
14.	36202551	Valve Cage	6	31.	96707000	Washer, Flinger	3	47.	98210000	Plug, 3/8 BSP	1
15.	701002	O-ring, .797 x .103	6	32.	97731000	Connecting Rod Pin	3	48.	96701400	Washer, Ø8.4x13x0.8	4
16.	98221600	Valve Cap	6	33.	51160022	Crankcase Cover	1				
17.	36711501	Valve Assembly	6	34.	99186700	Screw	4				

## REPAIR KITS

KIT NO.	K83	K86	K96	97	123
ITEM NO's INCLUDED IN KIT	5	20, 21, 22	18, 19, 20, 21, 22	18, 19, 21, 22	10, 11, 12, 13, 14 (17)
NUMBER OF ASSEMBLIES IN KIT	3	3	1	3	6
NUMBER OF CYLINDERS KIT WILL SERVICE	3	3	1	3	3

## TORQUE SPECS\*

Position	Ft. Lbs.	Nm
2	29.5	40
6	14.8	20
9	8.9	12
16	59.0	80
23	8.9	12
26	14.8	15
34	7.4	10
39	7.4	10
47	29.5	40

\* Decrease torque by 20% if threads are lubricated

**WARNING: High Pressure Systems require a primary pressure regulating device (i.e. regulator, unloader) and a secondary pressure relief device (i.e. pop-off valve, relief valve). Failure to install such relief devices properly could result in personal injury or damage to pump or property. GP does not assume any liability or responsibility for the operation of the user's high pressure system.**



WARNING: This product can expose you to chemicals including lead, which is known to the state of California to cause cancer and birth defects or other reproductive harm. For more information, go to [www.P65Warnings.ca.gov](http://www.P65Warnings.ca.gov)