

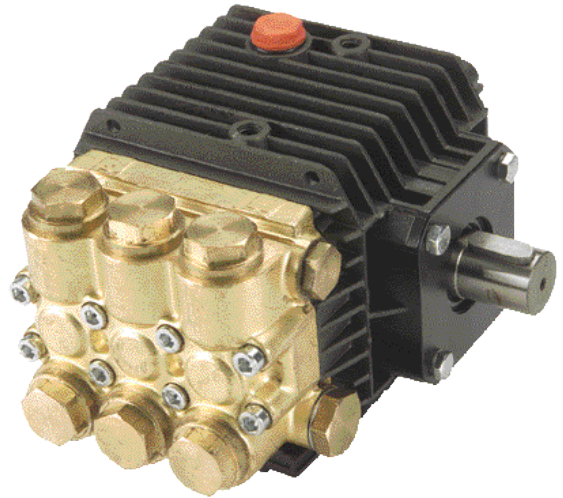
**GENERAL PUMP** *A member of the Interpump Group*

# TP Series 51, S17

Triplex Plunger Pump - Solid Shaft

**FEATURES**

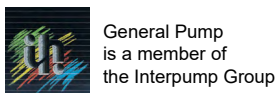
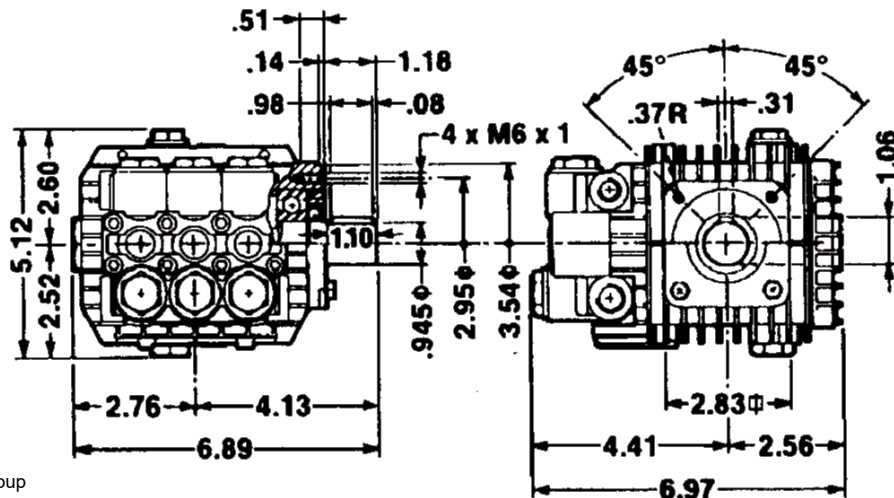
- Forged brass manifold
- Die-cast anodized aluminum, oil-bath crankcase
- Solid ceramic plungers with continuously lubricated packings
- The original Interpump unitized, stainless steel, K01 inlet and outlet valves
- Ideal for all general cleaning applications
- Comes standard with 24 mm solid shaft for pulley or direct drive with flex coupler and bell housing
- Also available in “L” left-handed versions



**SPECIFICATIONS**

Pump Model	TP2021S17	TP2024S17	TP2032S17
Maximum Volume	2.1 GPM	2.4 GPM	3.2 GPM
Maximum Discharge Pressure	2500 PSI	2000 PSI	
Maximum Pump Speed	1750 RPM		
Maximum Inlet Pressure	125 PSI		
Maximum Inlet Vacuum	3 ft. water (2.6 Hg)		
Bore	.591 in. / 15 mm	.709 in. / 18 mm	
Stroke	.370 in. / 9.4 mm	.283 in. / 7.2 mm	.370 in. / 9.4 mm
Crankcase Oil Capacity	11.2 oz.		
Maximum Fluid Temperature	165° F		
Inlet Port Thread	3/8"-19 BSPP-F		
Discharge Port Thread	1/4"-19 BSPP-F		
Shaft Diameter	.945 in. / 24 mm		
Weight	11.2 lbs.		
Dimensions	7.0" x 6.9" x 5.1"		

**DIMENSIONAL DRAWING**

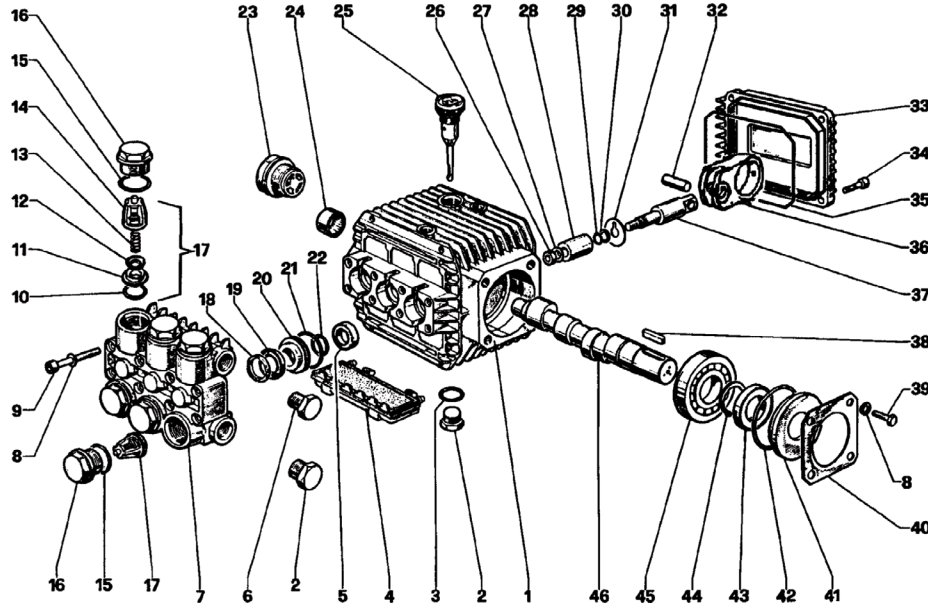


Ref 300158 Rev C  
06-22



# TP Series 51, Solid Shaft

**GENERAL PUMP** *A member of the Interpump Group*



## PARTS LIST

ITEM	PART NO.	DESCRIPTION	QTY.	ITEM	PART NO.	DESCRIPTION	QTY.	ITEM	PART NO.	DESCRIPTION	QTY.
1.	51010622	Crankcase	1	18.	51100051	Head Ring, 15mm	3	30.	90502200	Back-up Ring	3
2.	98210000	Plug, 3/8-BSP	2		51100151	Head Ring, 18mm	3	31.	96707000	Washer, Flinger	3
3.	90383300	O-ring, .549 x .103	1	19.	90262000	Packing 15mm	3	32.	97371000	Connecting Rod Pin	3
4.	51209102	Protector	1		90268100	Packing, 18mm	3	33.	51160022	Crankcase Cover	1
5.	90156500	Oil Seal	3	20.	51080070	Packing Retainer	3	34.	99186700	Screw	4
6.	98204100	Plug	1		51080370	Pack. Retainer, 18mm	3	35.	90391700	Cover O-ring	1
7.	51120041	Manifold, Brass, 15mm	1	21.	90360400	O-ring, .989 x .07086	3	36.	51030122	Connecting Rod	3
	51120441	Manifold, Brass, 18mm	1			O-ring, 18mm	3	37.	51050056	Plunger Rod	3
8.	96693800	Washer, M6.4, Schnorr	8	22.	90383500	O-ring, .594 x .103	3	38.	91484800	Key	1
9.	99194300	Screw, M6 x 40	8		90384300	O-ring, 18mm	3	39.	99180700	Screw	4
10.	90384100	O-ring, .674 x .103	6	23.	97596800	Sight Gauge	1	40.	50150074	Retainer	1
11.	36200366	Valve Seat	6	24.	91801500	Needle Bearing	1	41.	50211551	Spacer	1
12.	36200176	Valve Plate	6	25.	98210300	Oil Dip Stick	1	42.	90409700	O-ring	1
13.	94737600	Spring	6	26.	92221600	Nut, M8	3	43.	90163400	Oil Seal	1
14.	36202551	Valve Cage	6	27.	96700800	Washer, M8	3	44.	90063500	Snap Ring	1
15.	90384700	O-ring, .797 x .103	6	28.	51040009	Plunger, 15 mm	3	45.	91832900	Bearing	1
16.	98221800	Valve Cap	6		51040166	Plunger, 18 mm	3	46.	51020165	Crankshaft	1
17.	36711501	Valve Assembly	6	29.	90357200	O-ring, .208 x .070	3		51021765	Crankshaft (TP2024)	1

## REPAIR KITS

KIT NO.	83	86 (15mm)	96 (15 mm)	97 (15mm)	123	139 (18mm)	140 (18mm)	141 (18mm)
ITEM NO's INCLUDED IN KIT	5	20, 21, 22	18, 19, 20, 21, 22	18, 19, 21, 22	6, 7, 8, 10, 11, 12 (17)	20, 21, 22	18, 19, 20, 21, 22	18, 19, 21, 22
NUMBER OF ASSEMBLIES IN KIT	3	3	1	3	6	3	1	3
NUMBER OF CYLINDERS KIT WILL SERVICE	3	3	1	3	3	3	1	3

## TORQUE SPECS\*

Position	Ft. Lbs.	Nm
2	29.4	40
6	14.7	20
9	8.8	12
16	33.1	45
23	13.2	18
26	11.0	15
34	7.3	10
39	7.3	10

\* Decrease torque by 20% if threads are lubricated

**WARNING: High Pressure Systems require a primary pressure regulating device (i.e. regulator, unloader) and a secondary pressure relief device (i.e. pop-off valve, relief valve). Failure to install such relief devices properly could result in personal injury or damage to pump or property. GP does not assume any liability or responsibility for the operation of the user's high pressure system.**



WARNING: This product can expose you to chemicals including lead, which is known to the state of California to cause cancer and birth defects or other reproductive harm. For more information, go to [www.P65Warnings.ca.gov](http://www.P65Warnings.ca.gov)

