

Triplex Plunger Pump - NEMA 56C Flange

FEATURES

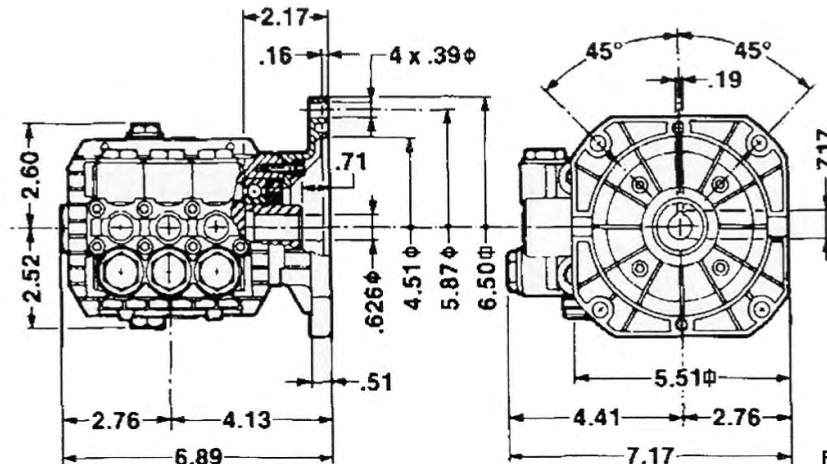
- Forged brass manifold with exclusive lifetime warranty
- Die-cast anodized aluminum, oil-bath crankcase
- Solid ceramic plungers with continuously lubricated packings
- The original Interpump unitized, stainless steel, K01 inlet and outlet valves
- Ideal for all general cleaning, RO and misting applications
- Comes standard with NEMA 56C electric motor mounting flange
- Also available in "L" left-handed versions



SPECIFICATIONS

Pump Model	TP2021C17	TP2024C17	TP2032C17
Maximum Volume	2.1 GPM	2.4 GPM	3.2 GPM
Maximum Discharge Pressure	2500 PSI	2000 PSI	
Maximum Pump Speed	1750 RPM		
Maximum Inlet Pressure	125 PSI		
Maximum Inlet Vacuum	3 ft. water (2.6 in. Hg)		
Bore	.591 in. / 15 mm	.709 in. / 18 mm	
Stroke	.370 in. / 9.4 mm	.287 in. / 7.2 mm	.370 in. / 7.4 mm
Crankcase Oil Capacity	11.2 oz.		
Maximum Fluid Temperature	165° F		
Inlet Port Thread	3/8"-19 BSPP-F		
Discharge Port Thread	1/4"-19 BSPP-F		
Shaft Diameter	5/8 in. / 16 mm		
Weight	11.5 lbs.		
Dimensions	7.0" x 7.2" x 5.5"		

DIMENSIONAL DRAWING



TRIPLEX

TRIPLEX



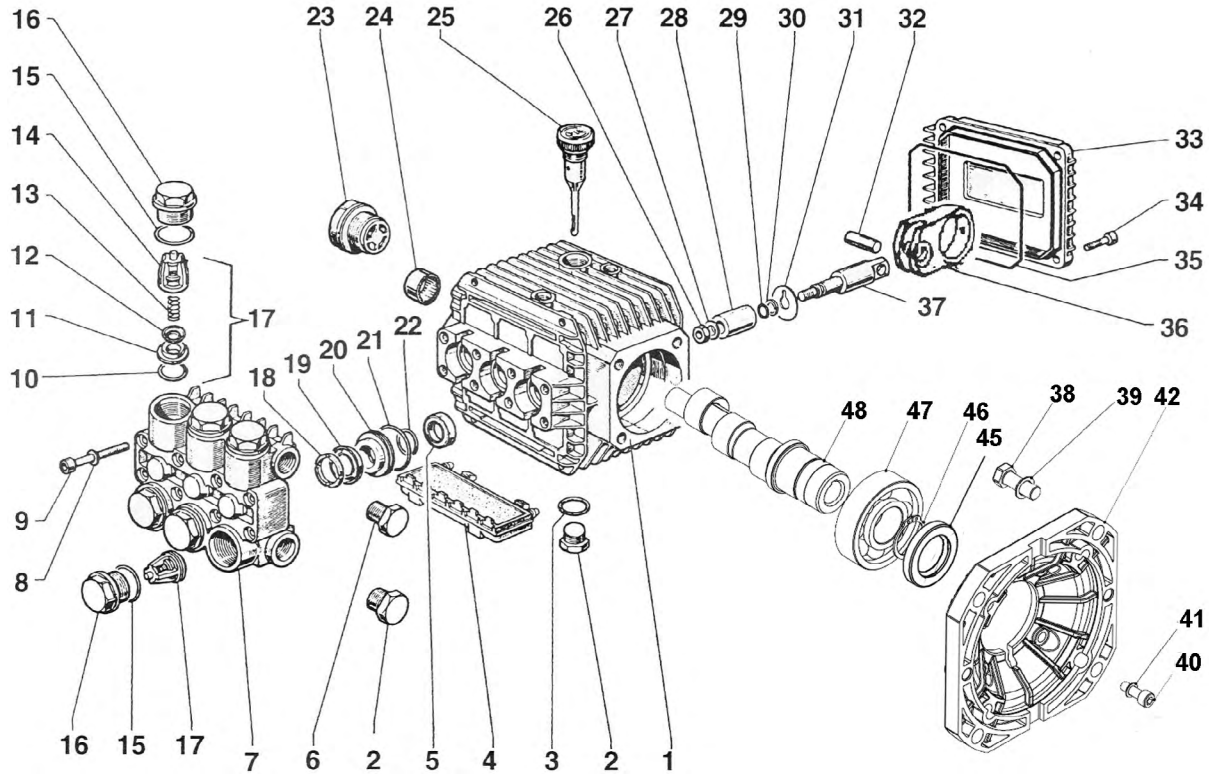
General Pump is a member of the Interpump Group

Ref 300159 Rev E
11-22



TP Series 51, C17

GENERAL PUMP *A member of the Interpump Group*



PARTS LIST

No.	Part No.	Description	Qty.	No.	Part No.	Description	Qty.	No.	Part No.	Description	Qty.
1	51010622	Crankcase	1	18	51100051	Head Ring, 15 mm	3	31	96707000	Washer, Flinger	3
2	98210000	Plug, 3/8-BSPP	2		51100151	Head Ring, 18 mm	3	32	97371000	Connecting Rod Pin	3
3	90383300	O-ring, .549 x .103	1	19	90262000	Packing, 15 mm	3	33	51160022	Crankcase Cover	1
4	51209102	Protector	1		90268100	Packing, 18 mm	3	34	99186700	Screw	4
5	90156500	Oil Seal	3	20	51080070	Packing Retainer	3	35	90391700	Cover Gasket	1
6	98204100	Plug	1		51080370	Pack Retainer, 18 mm	3	36	51030122	Connecting Rod	3
7	51120023	Manifold, Aluminum	1	21	90360400	O-ring, .989 x .07	3	37	51050056	Plunger Guide	3
	51120041	Manifold, Brass	1			O-ring, 18 mm	3	38	99334500	Screw, 3/8-BSPP	4
	51120441	Manifold, Brass, TP2032	1	22	90383500	O-ring, .594 x .103	3	39	96710400	Washer, M10, Schnorr	4
8	96693800	Washer, M6.4, Schnorr	12		90384300	O-ring, 18 mm	3	40	99186700	Screw, M6 x 18	4
9	99194300	Screw, M6 x 40	12	23	97596800	Sight Gauge	1	41	96693800	Washer, M6.4, Schnorr	4
10	90384100	O-ring, .674 x .103	6	24	91801500	Needle Bearing	1	42	10034422	Flange	1
11	36200366	Valve Seat	6	25	98210300	Oil Dip Stick	1	45	90165100	Oil Seal	1
12	36200176	Valve Plate	6	26	92221600	Nut, M8	3	46	90066700	Snap nut	1
13	94737600	Spring	6	27	96700800	Washer, M8	3	47	20283521	Bearing	1
14	36200251	Valve Cage	6	28	51040009	Plunger, 15 mm	3	48	51021565	Crankshaft	1
15	90384700	O-ring, .797 x .103	6			51040166	Plunger, 18 mm		3		51022565
16	98221600	Valve Cap	6	29	90351200	O-ring, .208 x .07	3				
17	36711501	Valve Assembly	6	30	90502200	Back-up Ring	3				

REPAIR KITS

KIT NO.	83	86 (15mm)	96 (15 mm)	97 (15mm)	123	139 (18mm)	140 (18mm)	141 (18mm)	157
ITEM NO's INCLUDED IN KIT	5	20, 21, 22	18, 19, 20, 21, 22	18, 19, 21, 22	6, 7, 8, 10, 11, 12 (17)	20, 21, 22	18, 19, 20, 21, 22	18, 19, 21, 22	16
NUMBER OF ASSEMBLIES IN KIT	3	3	1	3	6	3	1	3	3
NUMBER OF CYLINDERS KIT WILL SERVICE	3	3	1	3	3	3	1	3	3

TORQUE SPECS*

Position	Ft. Lbs.	Nm
2	29.4	40
6	14.7	20
9	8.8	12
16	60	82
23	13.2	18
26	11.0	15
34	7.3	10
38	22.1	30
40	7.3	10
49	14.7	20
52	7.3	10

* Decrease torque by 20% if threads are lubricated

