

TC Series "60"

Triplex Plunger Pump, Solid Shaft

FEATURES

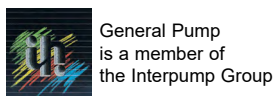
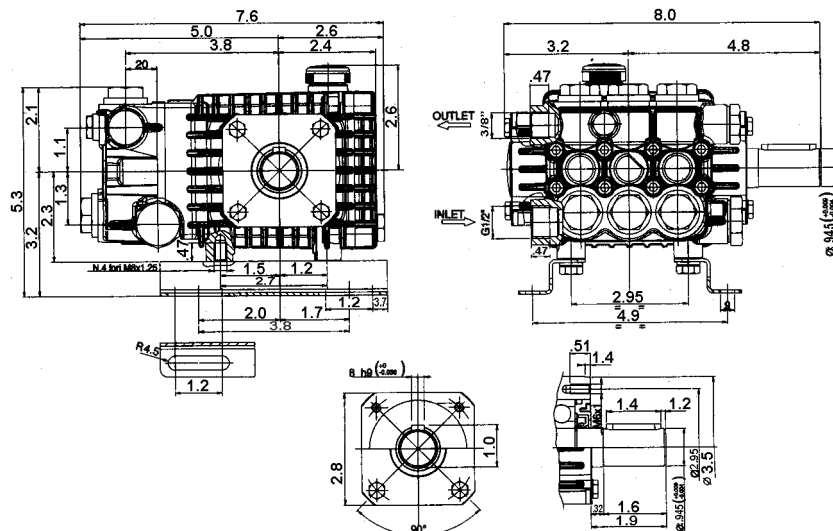
- Compact design
- Oversized bearings for long life
- New generation seal system for longer life
- Forged brass manifold



SPECIFICATIONS

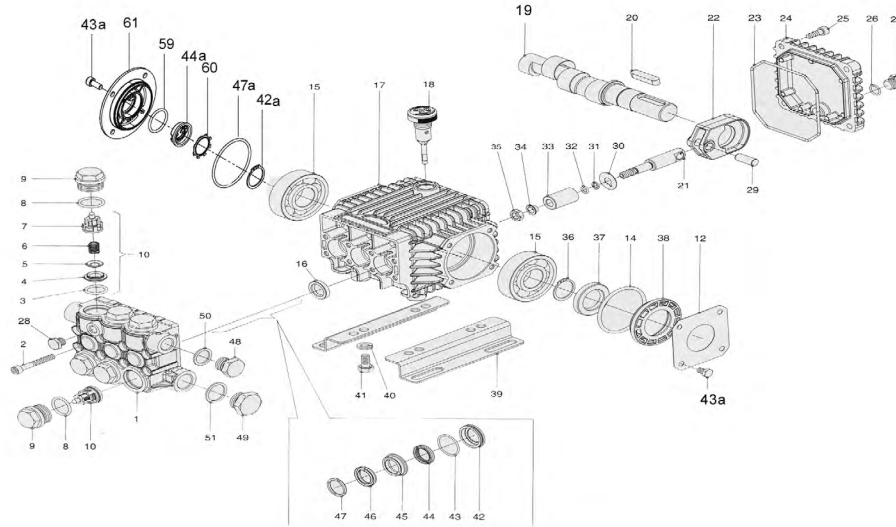
| Pump Model | TC1509S17 | TC1511S17 | TC1809S17 | TC1811S17 | TC1507S34 | TC1508S34 |
|----------------------------|---------------------------|-------------------|------------------|-------------------|-----------------|----------------|
| Maximum Volume | 1.75/2.1 GPM | 2.1/2.6 GPM | 2.5/3.1 GPM | 3.25/3.9 GPM | 3.0 GPM | 3.3 GPM |
| Maximum Discharge Pressure | 2500 PSI | 2500 PSI | 2200 PSI | 2200 PSI | 2700 PSI | 2500 PSI |
| Horsepower | 3.0/3.6 EBHP | 3.6/4.4 EBHP | 3.7/4.6 EBHP | 4.9/5.8 EBHP | 5.5 EBHP | 5.65 EBHP |
| Maximum Pump Speed | 1450/1750 RPM | | | | 3400 RPM | |
| Maximum Inlet Pressure | 125 PSI | | | | | |
| Minimum Inlet Pressure | 3 Ft. Water / 2.6 in. Hg. | | | | Flooded | |
| Plunger Bore (in / mm) | .591 in / 15 mm | | .709 in / 18 mm | | .591 in / 15 mm | |
| Plunger Stroke (in / mm) | .370 in / 9.4 mm | .453 in / 11.5 mm | .370 in / 9.4 mm | .453 in / 11.5 mm | .283 in / 7.2mm | .315 in / 8 mm |
| Oil Capacity | 11.8 oz | | | | | |
| Maximum Fluid Temperature | 165°F | | | | | |
| Inlet Port Thread | 1/2 - 14 BSP-F | | | | | |
| Discharge Port Thread | 3/8 - 19 BSP-F | | | | | |
| Shaft Diameter | .945 in / 24 mm | | | | | |
| Weight | 15.2 lbs | | | | | |
| Dimensions | 7.6 x 8.0 x 4.9 in | | | | | |

DIMENSIONAL DRAWING



Ref 300538 Rev. D
07-22





PARTS LIST

| ITEM | PART NO. | DESCRIPTION | QTY. | ITEM | PART NO. | DESCRIPTION | QTY. | ITEM | PART NO. | DESCRIPTION | QTY. |
|------|----------|----------------------------|------|------|----------|-----------------------|------|------|----------|-----------------------|------|
| 1. | 60120041 | Manifold, 15 mm | 1 | 23. | 90391800 | O-ring, Cover | 1 | 42a. | 90063500 | Stop Ring Ø 25 | |
| | 60120141 | Manifold, 18 mm | 1 | 24. | 60160022 | Rear Crankcase Cover | 1 | 43. | 90360400 | O-ring, .989x.070 | 3 |
| 2. | 99195000 | Screw, M6 x 45 | 8 | 25. | 99186700 | Screw, M6 x 18 | 4 | 43a. | 99183700 | Screw M6x14 | 8 |
| 3. | 701115 | O-ring | 6 | 26. | 701013 | O-ring | 1 | 44. | 90260800 | Seal, LP, 15 mm | 3 |
| 4. | 36200366 | Valve Seat | 6 | 27. | 98204100 | Plug, 1/4" G | 1 | | 90265000 | Seal, LP, 18mm | 3 |
| 5. | 36200176 | Valve | 6 | 28. | 98196600 | Plug, 1/8" G | 1 | 44a. | 53210851 | Oil Level Indicator | 1 |
| 6. | 94737600 | Spring | 6 | 29. | 97733300 | Wrist Pin | 3 | 45. | 60216070 | Intermediate Ring, 15 | 3 |
| 7. | 36202551 | Valve Cage | 6 | 30. | 96707000 | Washer | 3 | | 60216170 | Intermediate Ring, 18 | 3 |
| 8. | 701002 | O-ring | 6 | 31. | 660024 | Anti-ext. Ring | 3 | 46. | 90262000 | Seal, HP, 15mm | 3 |
| 9. | 98221400 | Valve Cap | 6 | 32. | 90357300 | O-ring, 5.28x1.78 | 3 | | 90268100 | Seal, HP, 18mm | 3 |
| 10. | 36711501 | Valve Assembly | 6 | 33. | 60040009 | Ceramic Plunger, 15mm | 3 | 47. | 51100051 | Head Ring, 15mm | 3 |
| 15. | 91832800 | Ball Bearing | 2 | | 60040109 | Ceramic Plunger, 18mm | 3 | | 51100151 | Head Ring, 18mm | 1 |
| 16. | 710002 | Oil Seal | 3 | 34. | 44211570 | Bushing | 3 | 47a. | 90389800 | O-ring Ø 56.82x2.62 | 1 |
| 17. | 60010022 | Crankcase | 1 | 35. | 92221600 | Nut, M8 | 3 | 48. | 98210000 | Plug, 3/8" | 1 |
| 18. | 98210300 | Oil Dip Stick | 1 | 36. | 90063500 | Circlip | 1 | 49. | 98217600 | Plug, 1/2" | 1 |
| 19. | 60020765 | Crankshaft, 7.2 mm Stroke | 1 | 37. | 90163400 | Oil Seal | 1 | 50. | 96738000 | Gasket, Alum., 3/8" | 1 |
| | 60020965 | Crankshaft, 8.0 mm Stroke | 1 | 38. | 50211551 | Spacer | 1 | 51. | 96751400 | Gasket, Alum., 1/2" | 1 |
| 19. | 60021265 | Crankshaft, 9.4 mm Stroke | 1 | 39. | 50200074 | Pump Foot, 7/8" | 2 | 59. | 90385900 | O-ring Ø 25.07x6.62 | 1 |
| | 60021765 | Crankshaft, 11.5 mm Stroke | 1 | 40. | 96701600 | Washer | 4 | 60. | 90067100 | Stop Ring | 1 |
| 20. | 91489200 | Key | 1 | 41. | 99303700 | Screw, M8x16 | 4 | 61. | 58150122 | Side Cover | 1 |
| 21. | 60050066 | Plunger Guide | 3 | 42. | 60080070 | Seal, LP, 15mm | 3 | | | | |
| 22. | 60030022 | Connecting Rod | 3 | | 60080170 | Seal, LP, 18mm | 3 | | | | |

* 53150001 Oil Level Indicator Assembled W/O Screws and O-ring

REPAIR KITS

| KIT NO. | K83 | K123 | K196 or K197 (15mm) (18mm) | K198 or K199 (15mm) (18mm) | K200 or K225 (15mm) (18mm) | K226 or K227 (15mm) (18mm) |
|--------------------------------------|-----|--------------------|-------------------------------|-------------------------------|-------------------------------|-------------------------------|
| ITEM NO's INCLUDED IN KIT | 16 | 3, 4, 5, 6, 7 (10) | 44, 46, 47 | 45 | 42, 43 | 42, 43, 44, 45, 46, 47 |
| NUMBER OF ASSEMBLIES IN KIT | 3 | 6 | 3 | 3 | 3 | 1 |
| NUMBER OF CYLINDERS KIT WILL SERVICE | 3 | 3 | 3 | 3 | 3 | 1 |

TORQUE SPECS*

| Pos. | Ft/lb | Nm |
|------|-------|----|
| 2 | 8.8 | 12 |
| 9 | 59.0 | 80 |
| 11 | 7.4 | 10 |
| 25 | 7.4 | 10 |
| 27 | 14.7 | 20 |
| 28 | 9.6 | 13 |
| 35 | 11.1 | 15 |
| 41 | 14.7 | 20 |
| 48 | 29.5 | 40 |
| 49 | 29.5 | 40 |

* Decrease torque by 20% if threads are lubricated

WARNING: High Pressure Systems require a primary pressure regulating device (i.e. regulator, unloader) and a secondary pressure relief device (i.e. pop-off valve, relief valve). Failure to install such relief devices properly could result in personal injury or damage to pump or property. GP does not assume any liability or responsibility for the operation of the user's high pressure system.



WARNING: This product can expose you to chemicals including lead, which is known to the state of California to cause cancer and birth defects or other reproductive harm. For more information, go to www.P65Warnings.ca.gov

