

TC Series "60"

Triplex Plunger Pump, 3/4" Hollow Shaft Flanged for Direct Couple To Gas Engine

FEATURES

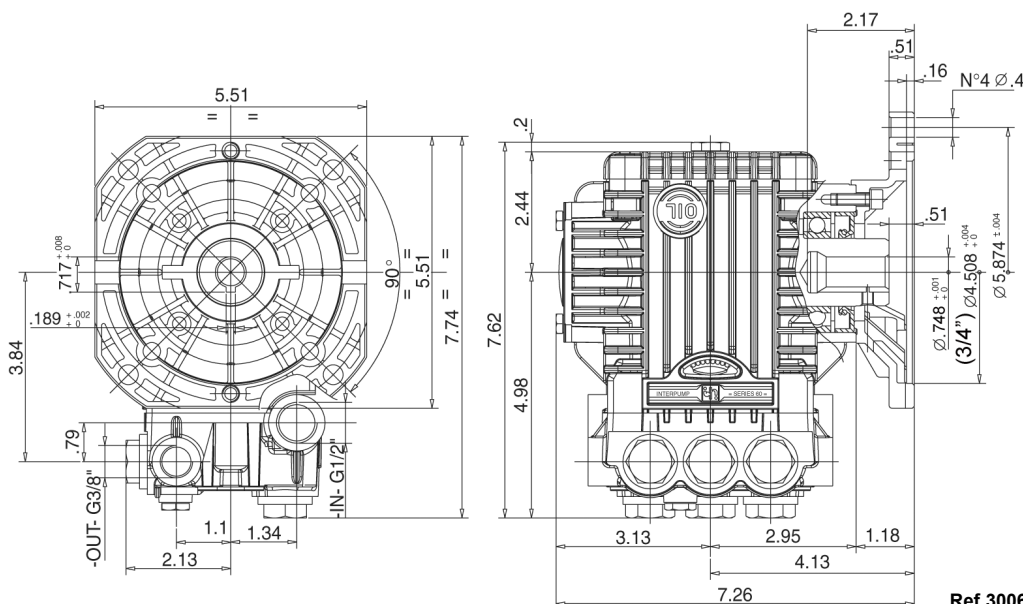
- Compact design
- 3/4" hollow shaft, flanged for direct couple to gasoline engines (SAE J609A)
- Oversized bearings for long life
- New generation seal system for longer life
- Forged brass manifold with an exclusive lifetime warranty*
- Exclusive premium built-in trapped pressure unloader on left side of manifold



SPECIFICATIONS

Pump Model	TC1506GUI	TC1507GUI	TC1508GUI	TC1509GUI
Maximum Volume	2.60 GPM	3.00 GPM	3.30 GPM	4.00 GPM
Maximum Discharge Pressure	2700 PSI		2500 PSI	
Horsepower	7.21 GHP	8.32 GHP	8.48 GHP	10.27 GHP
Maximum Pump Speed	3400 RPM			
Maximum Inlet Pressure	125 PSI			
Minimum Inlet Pressure	Flooded			
Plunger Bore (in / mm)	.591 in / 15 mm			
Plunger Stroke (in / mm)	.256 in / 6.5 mm	.283 in / 7.2 mm	.315 in / 8.0 mm	.370 in / 9.4 mm
Oil Capacity	11.8 oz			
Maximum Fluid Temperature	165°F			
Inlet Port Thread	1/2" - 14 BSP-F			
Discharge Port Thread	3/8" - 19 BSP-F			
Shaft Diameter	.750 in / 19 mm			
Weight	16.0 lbs			
Dimensions	10.4" x 8.0" x 7.7"			

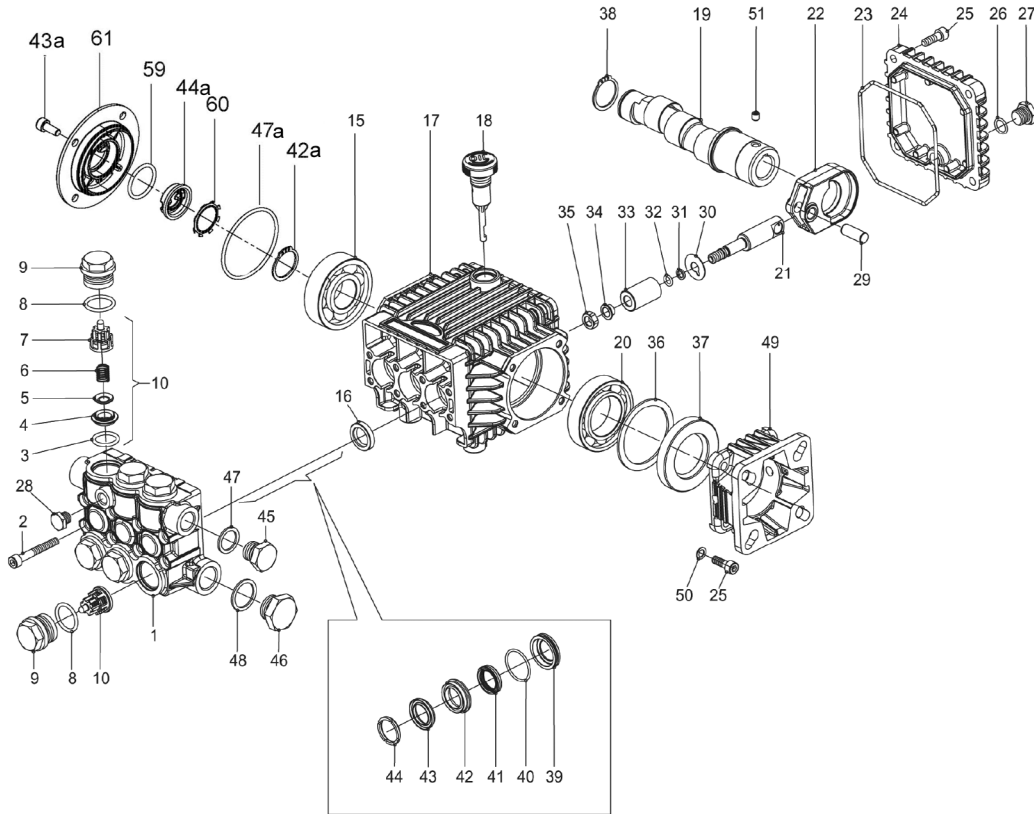
DIMENSIONAL DRAWING



General Pump is a member of the Interpump Group



Ref 300672 Rev. B
10-17



PARTS LIST

ITEM	PART NO.	DESCRIPTION	QTY.	ITEM	PART NO.	DESCRIPTION	QTY.	ITEM	PART NO.	DESCRIPTION	QTY.
1.	60120041	Manifold, 15 mm	1	21.	60050066	Plunger Guide	3	40.	90360400	O-ring,	3
2.	99195000	Screw, M6 x 45	8	22.	60030022	Connecting Rod	3	41.	90260800	Seal, LP, 15 mm	3
3.	7011115	O-ring	6	23.	90391800	O-ring, Cover	1	42.	60216070	Intermediate Ring, 15	3
4.	36200366	Valve Seat	6	24.	60160022	Rear Crankcase Cover	1	42a.	90063500	Stop Ring Ø 25	1
5.	36200176	Valve	6	25.	99186700	Screw, M6 x 18	8	43.	90262000	Seal, HP, 15mm	3
6.	94737600	Spring	6	26.	701013	O-ring	1	43a.	99183700	Screw M6x14	4
7.	36202551	Valve Cage	6	27.	98204100	Plug, 1/4" G	1	44.	51100051	Head Ring, 15mm	3
8.	701002	O-ring	6	28.	98196600	Plug, 1/8" G	1	44a.	53210851	Oil Level Indicator	1
9.	98221400	Valve Cap	6	29.	97733300	Wrist Pin	3	45.	98210000	Plug, 3/8" G	1
10.	36711501	Valve Assembly	6	30.	96707000	Washer	3	46.	98217600	Plug, 1/2" G	1
15.	91832800	Ball Bearing	1	31.	660024	Anti-ext. Ring	3	47.	96738000	Gasket, Alum., 3/8"	1
16.	710002	Oil Seal	3	32.	90357300	O-ring	3	47a.	90389800	O-ring Ø 56.82x2.62	1
17.	60010022	Crankcase	1	33.	60040009	Ceramic Plunger, 15mm	3	48.	96751400	Gasket, Alum., 1/2"	1
18.	98210300	Oil Dip Stick	1	34.	44211570	Bushing	3	49.	10065222	Flange	1
19.	60027165	Crankshaft, TC1506G	1	35.	92221600	Nut, M8	3	50.	203510	Washer	4
	60027365	Crankshaft, TC1507G	1	36.	60210189	Spacer	1	51.	99179000	Screw, M6	1
19.	60027500	Crankshaft, TC1508G	1	37.	90167500	Oil Seal	1	59.	90385900	O-ring Ø 25.07x2.62	1
	60027865	Crankshaft, TC1509G	1	38	90063500	Circlip	1	60.	90067100	Stop Ring	1
20.	91846400	Bearing	1	39.	60080070	Seal, LP, 15mm	3	61.	58150122	Side Cover	1

* 53150001 Oil Level Indicator Assembled W/O Screws and O-ring

REPAIR KITS

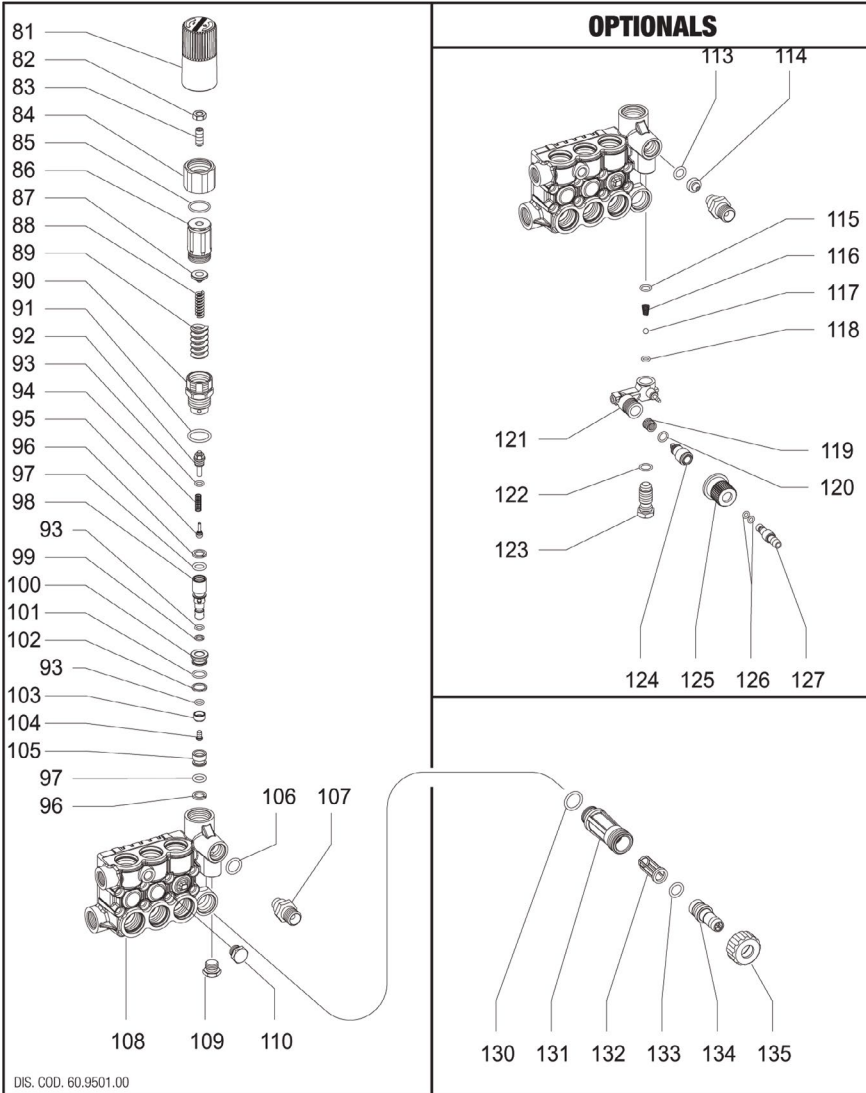
KIT NO.	K83	K123	K196 (15mm)	K198 (15mm)	K200 (15mm)	K226 (15mm)
ITEM NO's INCLUDED IN KIT	16	3, 4, 5, 6, 7 (10)	41, 43, 44	42	39, 40	39, 40, 41, 42, 43, 44
NUMBER OF ASSEMBLIES IN KIT	3	6	3	3	3	1
NUMBER OF CYLINDERS KIT WILL SERVICE	3	3	3	3	3	1

TORQUE SPECS*

Pos.	Ft/lb	Nm
2	8.8	12
9	59.0	80
11	7.4	10
25	7.4	10
27	14.7	20
28	9.6	13
35	11.1	15
44	29.5	40
46	29.5	40

* Decrease torque by 20% if threads are lubricated





PARTS LIST

ITEM	PART NO.	DESCRIPTION	KIT NO.	QTY.
81.	36318751	Knob		1
82.	92221800	Nut, M8		1
83.	99305400	Screw, M8 x 20		1
84.	36331670	Ring Nut		1
85.	701019	O-ring, Ø 20.35 x 1.78		1
86.	36318570	Pressure Regulator		1
87.	36316970	Spring Plate		1
88.	94734500	Spring, Ø 7.6x29		1
89.	94743800	Spring, Ø 15x35		1
90.	36318470	Bushing, Guide		1
91.	701002	O-ring, Ø 20.24x2.62		1
92.	36318870	Stroke Stopper		1
93.	90357500	O-ring, Ø6.75x1.78		3
94.	94733200	Spring, Ø 6.1x19		1
95.	36333151	Shutter		1
96.	90506500	Antiextrusion Ring		2
97.	701614	O-ring, 9.92x2.62		2
98.	36318970	Control Piston		1
99.	90502500	Antiextrusion Ring		1
100.	36316570	Valve Guide		1
101.	701014	O-ring, Ø 12.42x1.78		1
102.	90507500			1
103.	36319066	Spherical Valve		1
104.	99150900	Screw, M5x7.5		1
105.	36316466	Valve Seat		1
106.	90383200	O-ring, Ø 13.95x2.62		1
107.	10031870	Nipple, 3/8 NPT		1
108.	60120441	Manifold		1
109.	98205700	Plug, M14x1.5		1
110.	98196600	Plug, G 1/8x8		1
OPTIONALS				
113.	90382300	O-ring, Ø 9.92x2.62		1
114.	10015166	Nozzle, Ø 2		1
	10007666	Nozzle, Ø 2.2		1
115.	90358222	O-ring, 9.25x1.78		1
116.	94821700	Conical Spring		1
117.	97478200	Ball, Ø 7/32"		1
118.	701501	O-ring, Ø 5.28x1.78		1
119.	94738300	Spring, Ø 9.75x10		1
120.	701612	O-ring, Ø8.73x1.78		1
121.	36318151	Body		1
122.	701013	O-ring, Ø 10.82x1.78		1
123.	36256370	Valve Seat		1
124.	36256470	Shutter		1
125.	36256551	Knob		1
126.	701008	O-ring, Ø 4.48x1.78		2
127.	36260870	Hose Fitting Coupling		1
130.	701115	O-ring, Ø 17.13x2.62		1
131.	36318251	Suction Nipple, G 3/4		1
132.	92892500	Filter		1
133.	701112	O-ring, Ø 12.37x2.62		1
134.	36256970	Suction Hose Fitting		1
135.	92982800	Ring Nut, G 3/4		1

REPAIR KITS

KIT NO.	K94	K102
ITEM NO's INCLUDED IN KIT	106, 113, 115, 116, 117, 118, 119, 120, 122, 126	90, 91, 92, 93, 94, 95, 96, 97, 98, 99, 100, 101, 102, 103, 104, 105