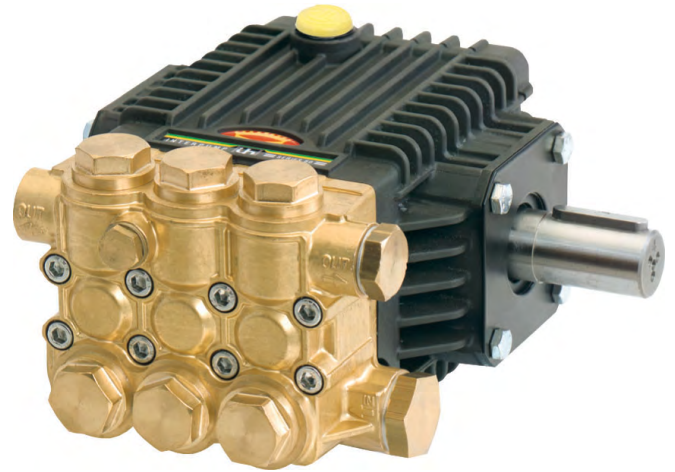


TC Series "60"

Triplex Plunger Pump, Solid Shaft

FEATURES

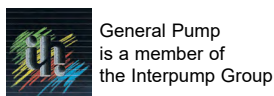
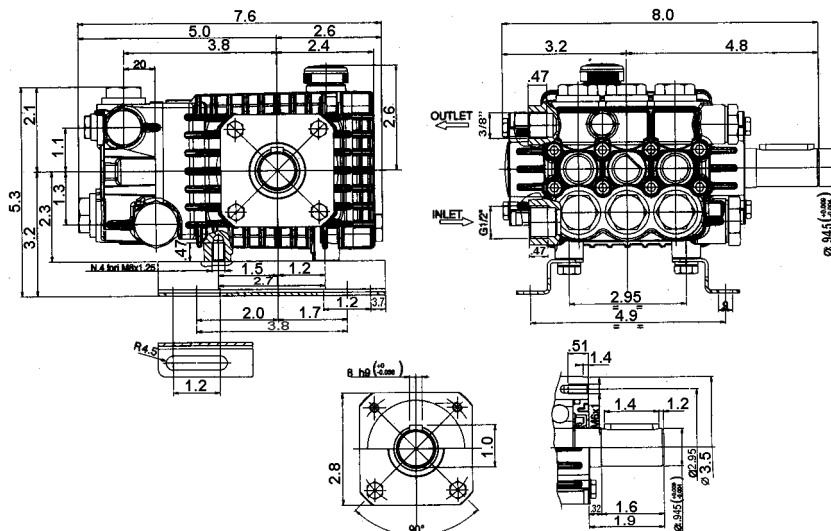
- Compact design
- Oversized bearings for long life
- New generation seal system for longer life
- Forged brass manifold



SPECIFICATIONS

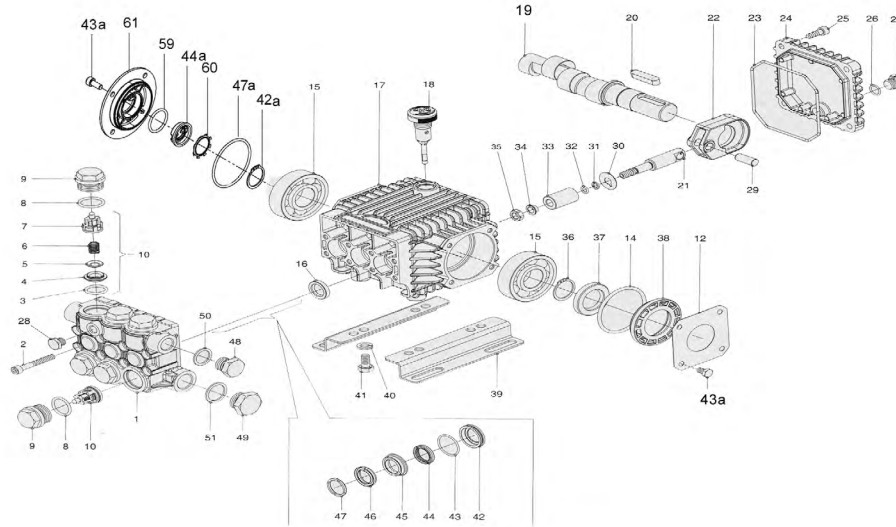
Pump Model	TC1509S17	TC1511S17	TC1809S17	TC1811S17	TC1507S34	TC1508S34
Maximum Volume	1.75/2.1 GPM	2.1/2.6 GPM	2.5/3.1 GPM	3.25/3.9 GPM	3.0 GPM	3.3 GPM
Maximum Discharge Pressure	2500 PSI	2500 PSI	2200 PSI	2200 PSI	2700 PSI	2500 PSI
Horsepower	3.0/3.6 EBHP	3.6/4.4 EBHP	3.7/4.6 EBHP	4.9/5.8 EBHP	5.5 EBHP	5.65 EBHP
Maximum Pump Speed	1450/1750 RPM				3400 RPM	
Maximum Inlet Pressure	125 PSI					
Minimum Inlet Pressure	3 Ft. Water / 2.6 in. Hg.				Flooded	
Plunger Bore (in / mm)	.591 in / 15 mm		.709 in / 18 mm		.591 in / 15 mm	
Plunger Stroke (in / mm)	.370 in / 9.4 mm	.453 in / 11.5 mm	.370 in / 9.4 mm	.453 in / 11.5 mm	.283 in / 7.2mm	.315 in / 8 mm
Oil Capacity	11.8 oz					
Maximum Fluid Temperature	165°F					
Inlet Port Thread	1/2 - 14 BSP-F					
Discharge Port Thread	3/8 - 19 BSP-F					
Shaft Diameter	.945 in / 24 mm					
Weight	15.2 lbs					
Dimensions	7.6 x 8.0 x 4.9 in					

DIMENSIONAL DRAWING



Ref 300538 Rev. D
07-22





PARTS LIST

ITEM	PART NO.	DESCRIPTION	QTY.	ITEM	PART NO.	DESCRIPTION	QTY.	ITEM	PART NO.	DESCRIPTION	QTY.
1.	60120041	Manifold, 15 mm	1	23.	90391800	O-ring, Cover	1	42a.	90063500	Stop Ring Ø 25	
	60120141	Manifold, 18 mm	1	24.	60160022	Rear Crankcase Cover	1	43.	90360400	O-ring, .989x.070	3
2.	99195000	Screw, M6 x 45	8	25.	99186700	Screw, M6 x 18	4	43a.	99183700	Screw M6x14	8
3.	701115	O-ring	6	26.	701013	O-ring	1	44.	90260800	Seal, LP, 15 mm	3
4.	36200366	Valve Seat	6	27.	98204100	Plug, 1/4" G	1		90265000	Seal, LP, 18mm	3
5.	36200176	Valve	6	28.	98196600	Plug, 1/8" G	1	44a.	53210851	Oil Level Indicator	1
6.	94737600	Spring	6	29.	97733300	Wrist Pin	3	45.	60216070	Intermediate Ring, 15	3
7.	36202551	Valve Cage	6	30.	96707000	Washer	3		60216170	Intermediate Ring, 18	3
8.	701002	O-ring	6	31.	660024	Anti-ext. Ring	3	46.	90262000	Seal, HP, 15mm	3
9.	98221400	Valve Cap	6	32.	90357300	O-ring, 5.28x1.78	3		90268100	Seal, HP, 18mm	3
10.	36711501	Valve Assembly	6	33.	60040009	Ceramic Plunger, 15mm	3	47.	51100051	Head Ring, 15mm	3
15.	91832800	Ball Bearing	2		60040109	Ceramic Plunger, 18mm	3		51100151	Head Ring, 18mm	1
16.	710002	Oil Seal	3	34.	44211570	Bushing	3	47a.	90389800	O-ring Ø 56.82x2.62	1
17.	60010022	Crankcase	1	35.	92221600	Nut, M8	3	48.	98210000	Plug, 3/8"	1
18.	98210300	Oil Dip Stick	1	36.	90063500	Circlip	1	49.	98217600	Plug, 1/2"	1
19.	60020765	Crankshaft, 7.2 mm Stroke	1	37.	90163400	Oil Seal	1	50.	96738000	Gasket, Alum., 3/8"	1
	60020965	Crankshaft, 8.0 mm Stroke	1	38.	50211551	Spacer	1	51.	96751400	Gasket, Alum., 1/2"	1
19.	60021265	Crankshaft, 9.4 mm Stroke	1	39.	50200074	Pump Foot, 7/8"	2	59.	90385900	O-ring Ø 25.07x6.62	1
	60021765	Crankshaft, 11.5 mm Stroke	1	40.	96701600	Washer	4	60.	90067100	Stop Ring	1
20.	91489200	Key	1	41.	99303700	Screw, M8x16	4	61.	58150122	Side Cover	1
21.	60050066	Plunger Guide	3	42.	60080070	Seal, LP, 15mm	3				
22.	60030022	Connecting Rod	3		60080170	Seal, LP, 18mm	3				

* 53150001 Oil Level Indicator Assembled W/O Screws and O-ring

REPAIR KITS

KIT NO.	K83	K123	K196 or K197 (15mm) (18mm)	K198 or K199 (15mm) (18mm)	K200 or K225 (15mm) (18mm)	K226 or K227 (15mm) (18mm)
ITEM NO's INCLUDED IN KIT	16	3, 4, 5, 6, 7 (10)	44, 46, 47	45	42, 43	42, 43, 44, 45, 46, 47
NUMBER OF ASSEMBLIES IN KIT	3	6	3	3	3	1
NUMBER OF CYLINDERS KIT WILL SERVICE	3	3	3	3	3	1

TORQUE SPECS*

Pos.	Ft/lb	Nm
2	8.8	12
9	59.0	80
11	7.4	10
25	7.4	10
27	14.7	20
28	9.6	13
35	11.1	15
41	14.7	20
48	29.5	40
49	29.5	40

* Decrease torque by 20% if threads are lubricated

WARNING: High Pressure Systems require a primary pressure regulating device (i.e. regulator, unloader) and a secondary pressure relief device (i.e. pop-off valve, relief valve). Failure to install such relief devices properly could result in personal injury or damage to pump or property. GP does not assume any liability or responsibility for the operation of the user's high pressure system.



WARNING: This product can expose you to chemicals including lead, which is known to the state of California to cause cancer and birth defects or other reproductive harm. For more information, go to www.P65Warnings.ca.gov

