

### FEATURES

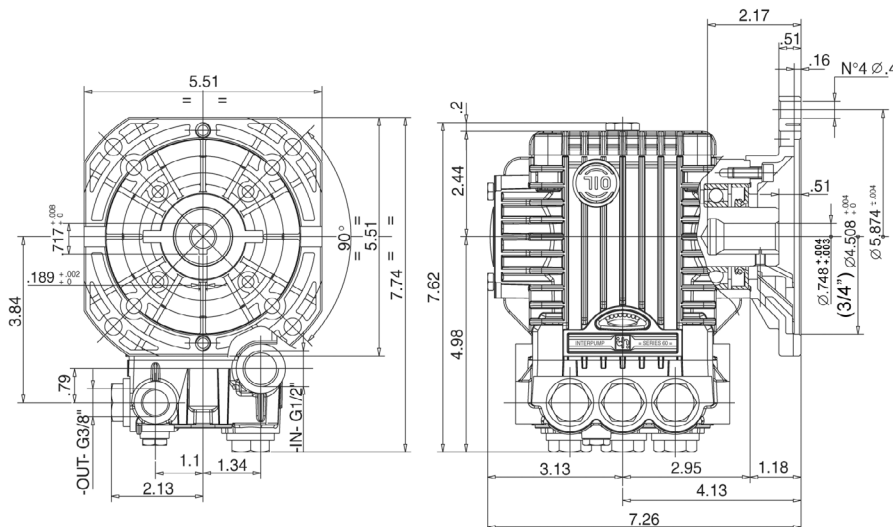
- Compact design
- 3/4" hollow shaft, flanged for direct couple to electric motors (NEMA 56C)
- Oversized bearings for long life
- New generation seal system for longer life
- Forged brass manifold



### SPECIFICATIONS

Pump Model	TC1506E346	TC1507E346	TC1508E346
Maximum Volume	2.60 GPM	3.00 GPM	3.30 GPM
Maximum Discharge Pressure	2700 PSI		2500 PSI
Horsepower	4.81 EBHP	5.55 EBHP	5.65 EBHP
Maximum Pump Speed	3400 RPM		
Maximum Inlet Pressure	125 PSI		
Minimum Inlet Pressure	Flooded		
Plunger Bore (in / mm)	.591 in / 15 mm		
Plunger Stroke (in / mm)	.256 in / 6.5 mm	.283 in / 7.2 mm	.315 in / 8.0 mm
Oil Capacity	11.8 oz		
Maximum Fluid Temperature	165° F		
Inlet Port Thread	1/2 - 14 BSP-F		
Discharge Port Thread	3/8 - 19 BSP-F		
Shaft Diameter	.748 in / 19 mm		
Weight	15.1 lbs		
Dimensions	7.8 x 7.3 x 5.5 in		

### DIMENSIONAL DRAWING



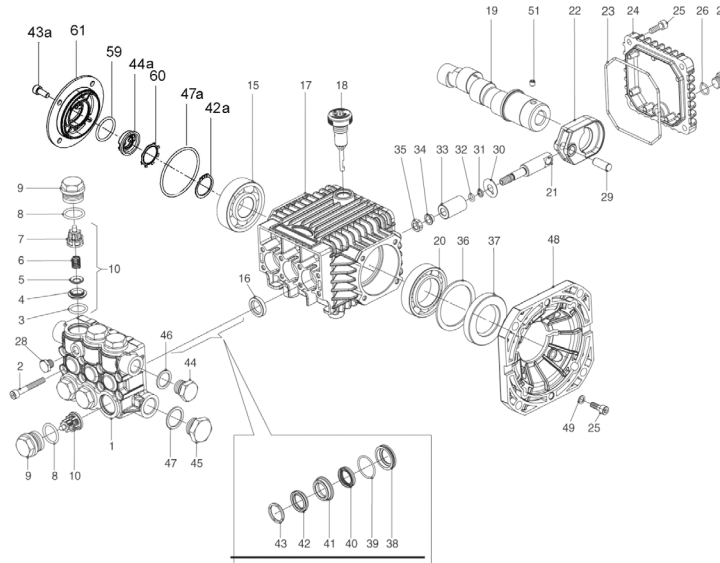
TRIPLEX

TRIPLEX



General Pump is a member of the Interpump Group





**PARTS LIST**

ITEM	PART NO.	DESCRIPTION	QTY.	ITEM	PART NO.	DESCRIPTION	QTY.	ITEM	PART NO.	DESCRIPTION	QTY.
1.	60120041	Manifold, 15 mm	1	22.	60030022	Connecting Rod	3	41.	60216070	Intermediate Ring, 15	3
2.	99195000	Screw, M6 x 45	8	23.	90391800	O-ring, Cover	1	42.	90262000	Seal, HP, 15mm	3
3.	701115	O-ring	6	24.	60160022	Rear Crankcase Cover	1	42a.	90063500	Stop Ring Ø 25	1
4.	36200366	Valve Seat	6	25.	99186700	Screw, M6 x 18	8	43.	51100051	Head Ring, 15mm	3
5.	36200176	Valve	6	26.	701013	O-ring	1	43a.	99183700	Screw M6x14	4
6.	94737600	Spring	6	27.	98204100	Plug, 1/4" G	1	44.	98210000	Plug, 3/8" G	1
7.	36202551	Valve Cage	6	28.	98196600	Plug, 1/8" G	1	44a.	53210851	Oil Level Indicator	1
8.	701002	O-ring	6	29.	97733300	Wrist Pin	3	45.	98217600	Plug, 1/2" G	1
9.	98221400	Valve Cap	6	30.	96707000	Washer	3	46.	96738000	Gasket, Alum., 3/8"	1
10.	36711501	Valve Assembly	6	31.	660024	Anti-ext. Ring	3	47.	96751400	Gasket, Alum., 1/2"	1
15.	91832800	Ball Bearing	1	32.	90357300	O-ring	3	47a.	90389800	O-ring Ø 56.82x2.62	1
16.	710002	Oil Seal	3	33.	60040009	Ceramic Plunger, 15mm	3	48.	ZFWWU	Flange	1
17.	60010022	Crankcase	1	34.	44211570	Bushing	3	49.	203510	Washer	4
18.	98210300	Oil Dip Stick	1	35.	92221600	Nut, M8	3	51.	99179000	Screw, M6	1
19.	60027165	Crankshaft, TC1506E346	1	36.	60210189	Spacer	1	59.	90385900	O-ring Ø 25.07x2.62	1
	60027365	Crankshaft, TC1507E346	1	37.	90167500	Oil Seal	1	60.	90067100	Stop Ring	1
	60027565	Crankshaft, TC1508E346	1	38.	60080070	Seal, LP, 15mm	3	61.	58150122	Side Cover	1
20.	91846400	Bearing	1	39.	90360400	O-ring	3				
21.	60050066	Plunger Guide	3	40.	90260800	Seal, LP, 15 mm	3				

\* 53150001 Oil Level Indicator Assembled W/O Screws and O-ring

**REPAIR KITS**

KIT NO.	K83	K123	K196 (15mm)	K198 (15mm)	K200 (15mm)	K226 (15mm)
ITEM NO's INCLUDED IN KIT	16	3, 4, 5, 6, 7 (10)	40, 42, 43	41	38, 39	38, 39, 40, 41, 42, 43
NUMBER OF ASSEMBLIES IN KIT	3	6	3	3	3	1
NUMBER OF CYLINDERS KIT WILL SERVICE	3	3	3	3	3	1

**TORQUE SPECS\***

Pos.	Ft/lb	Nm
2	8.8	12
9	59.0	80
11	7.4	10
25	7.4	10
27	14.7	20
28	9.6	13
35	11.1	15
44	29.5	40
45	29.5	40

\* Decrease torque by 20% if threads are lubricated

**WARNING: High Pressure Systems require a primary pressure regulating device (i.e. regulator, unloader) and a secondary pressure relief device (i.e. pop-off valve, relief valve). Failure to install such relief devices properly could result in personal injury or damage to pump or property. GP does not assume any liability or responsibility for the operation of the user's high pressure system.**

WARNING: This product can expose you to chemicals including lead, which is known to the state of California to cause cancer and birth defects or other reproductive harm. For more information, go to [www.P65Warnings.ca.gov](http://www.P65Warnings.ca.gov)

