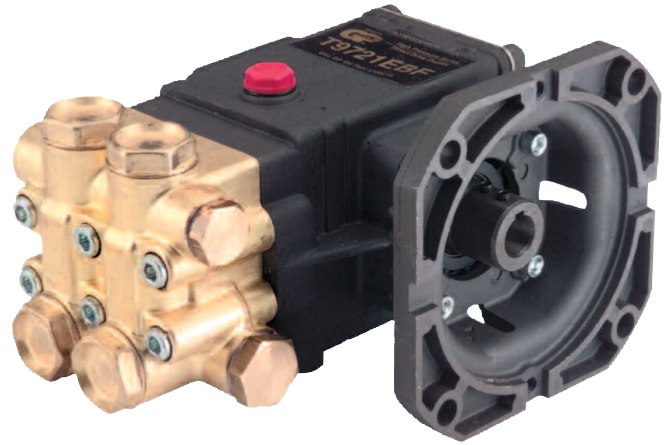


## FEATURES

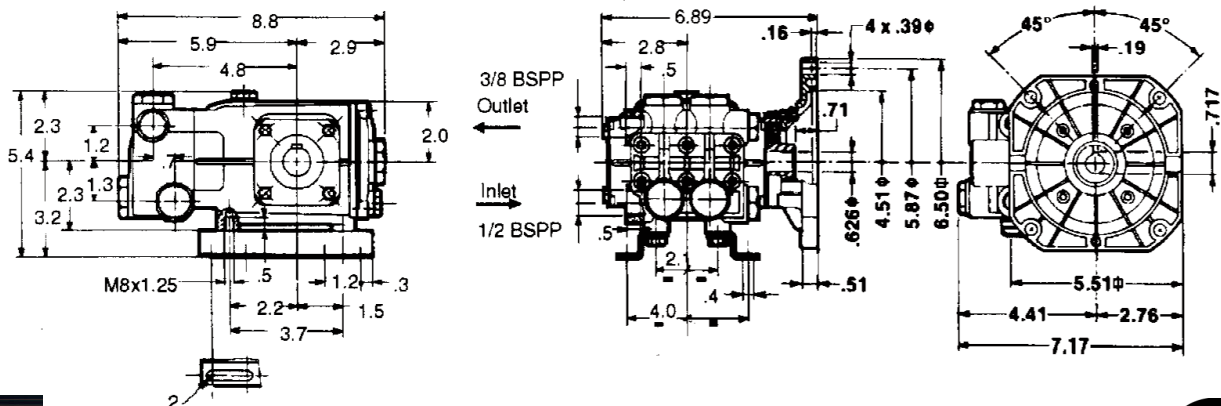
- Specifically designed for the demands of the water jetting industry
- Available in three flow rates to meet the industry's demanding application requirements
- Forged brass manifold with a lifetime warranty against erosion and freezing
- Solid ceramic plungers
- Designed for continuous duty
- Superior seal life
- Nema 56C flange for direct mounting to standard electric motors
- Five-year warranty against defects in material and workmanship, from date of shipment (see price book for complete details)



## SPECIFICATIONS

Pump Model	T9711EBF	T9721EBF	T9731EBF
Maximum Volume	1.70 GPM	2.11 GPM	2.85 GPM
Maximum Discharge Pressure	1500 PSI		
Maximum Pump Speed	1750 RPM		
Maximum Inlet Pressure	125 PSI		
Maximum Inlet Vacuum	9 ft. water (7.9 in. Hg)		
Plunger Bore	.787 in. / 20 mm		
Plunger Stroke	.260 in. / 6.6 mm	.307 in. / 7.8 mm	.413 in. / 10.5 mm
Crankcase Oil Capacity	10.1 oz.		
Maximum Fluid Temperature	165°F		
Inlet Port Thread	1/2-14 BSP-F		
Discharge Port Thread	3/8-19 BSP-F		
Shaft Diameter	5/8 in. I.D.		
Weight	16 lbs.		
	8.8 x 6.8 x 5.4		

## DIMENSIONAL DRAWING



DUPLIX

DUPLIX



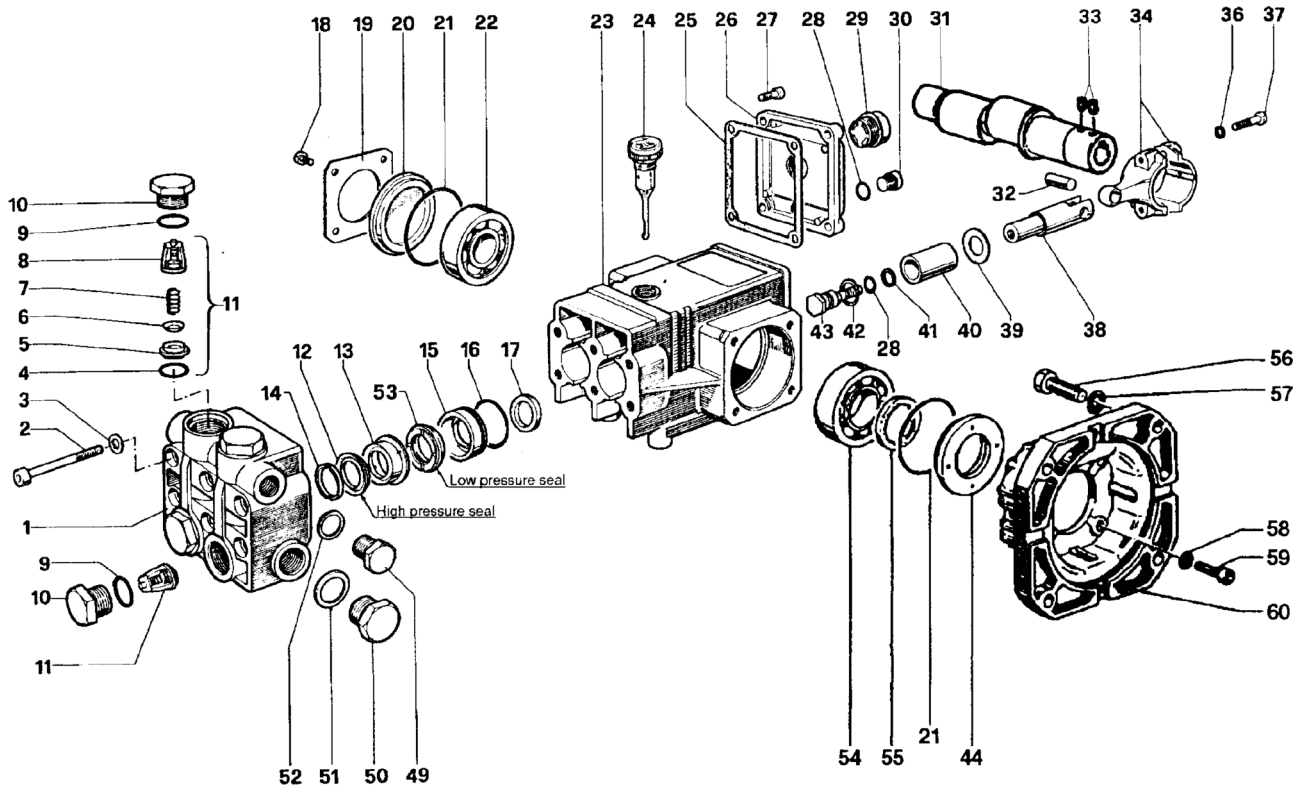
General Pump  
is a member of  
the Interpump Group



GENERAL PUMP

# T Series 49 Duplex Plunger Pump

**GENERAL PUMP** *A member of the Interpump Group*



## PARTS LIST

ITEM	PART NO.	DESCRIPTION	KIT NO.	QTY.	ITEM	PART NO.	DESCRIPTION	KIT NO.	QTY.	ITEM	PART NO.	DESCRIPTION	KIT NO.	QTY.
1.	49120041	Manifold, Brass		1	21.	90409700	O-ring, 2.187x.139		2	39.	96728600	Washer, M14x28x5	6	2
2.	99317500	Screw, M8 x 60		6	22.	91832900	Bearing, Ball		2	40.	50040409	Plunger (20 mm)		2
3.	96701400	Washer, M8.4 x 13 x.8		6	23.	49010422	Crankcase		1	41.	90506700	Ring, Back-up		6
4.	90384100	O-ring, .674x103		4	24.	98210300	Oil Dip Stick		1	42.	96728000	Washer, M14x18.5x.055		6
5.	36200366	Seat, Valve		4	25.	49211984	Gasket, Cover		1	43.	47219566	Screw, Plunger		6
6.	36200176	Plate, Valve		4	26.	49160322	Cover, Crankcase		1	44.	50211551	Spacer		1
7.	94737600	Spring		4	27.	99183700	Screw, M6x14		4	49.	98210000	Cap, 3/8-BSP		1
8.	36200251	Guide, Valve		4	28.	90358500	O-ring, .426x.070	6	3	50.	98217600	Cap, 1/2-BSP		1
9.	90384700	O-ring, .797x.103		4	29.	97596800	Indicator, Oil		1	51.	96751400	Washer, M21.5x27x1.5		1
10.	98222000	Cap, M24x2x16		4	30.	98204100	Cap, 1/4-BSP		1	52.	96738000	Washer, M17.5x23x1.5		1
11.	36703201	Valve Assembly		4	31.	49020965	Crankshaft, T9711EBF		1	53.	90269800	Seal, LP, 20mm	19,27	2
12.	90270300	Packing	19,27	2		49021065	Crankshaft, T9721EBF		1	54.	91837300	Bearing		1
13.	50216670	Ring, Int.	20,27	2		49021165	Crankshaft, T9731EBF		1	55.	90164400	Oil Seal		1
14.	50100051	Ring, Head	21,27	2	32.	97733000	Pin, Wrist		2	56.	99334500	Bolt, Mounting		4
15.	50080570	Retainer, Packing	22,27	2	33.	99179000	Set Screw		2	57.	96710400	Washer		4
16.	90361200	O-ring, 1.239x.070	22,27	2	34.	50030001	Rod, Connecting		2	58.	96693800	Washer		4
17.	90161400	Seal, Oil	23	2	36.	96693900	Washer, M6.4x10x.7		4	59.	99186700	Bolt, M6x18		4
18.	99180700	Screw, M6x10		8	37.	99192700	Screw, M6x35		4	60.	10058322	Flange, Nema 56C		1
19.	50150074	Cover, Crankcase		2	38.	50050056	Guide, Plunger		2					
20.	50211651	Spacer		1										

## REPAIR KITS

KIT NO.	1	4	6	19	20	21	22	23	27
ITEM NO's INCLUDED IN KIT	4,5,6 7,8 (11)	9, 10	23, 39, 41, 42, 43	12, 53	13	14	15, 16	17	12, 13, 14, 15, 16, 53
NUMBER OF ASSEMBLIES IN KIT	6	6	3	3	3	6	3	3	1
NUMBER OF CYLINDERS KIT WILL SERVICE	3	3	-	3	3	3	3	3	1

## TORQUE SPECS\*

Pos.	Ft/lb	N-M
2	14.7	19.2
10	95.9	130
18	7.3	10
27	7.3	10
29	13.2	18
30	14.7	19.2
37	8.8	12
43	14.7	19.2
49	5.1	7
50	29.4	40
59	14.7	19.2

\* Decrease torque by 20% if threads are lubricated

