

GENERAL PUMP *A member of the Interpump Group*

T Series 47 S

22 mm bore / 16 mm stroke

FEATURES

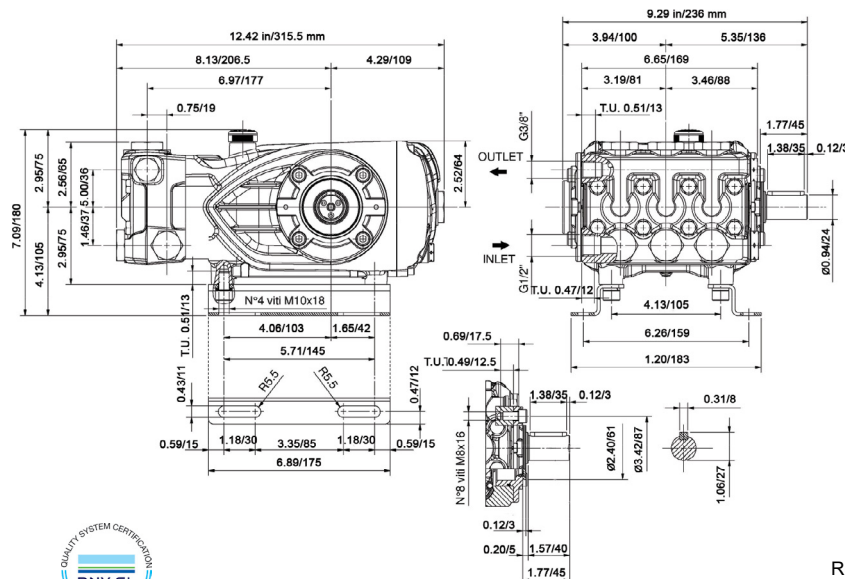
- The preferred pump frame in the pressure cleaning industry
- Forged brass manifold
- Large-capacity, die-cast, anodized aluminum oil-bath crankcase
- Over-sized connecting rods for maximum life
- Heavy-duty tapered roller bearing
- Solid ceramic plungers with continuously lubricated packings
- Unitized stainless steel inlet and discharge valves
- Available in left-handed "L" version



SPECIFICATIONS

| Pump Model | T1321 | T1321 | T1621 |
|----------------------------|--------------------------|----------|----------|
| Maximum Volume | 5.0 GPM | 5.5 GPM | 5.0 GPM |
| Maximum Discharge Pressure | 1700 PSI | 2100 PSI | 2500 PSI |
| Maximum Pump Speed | 1050 RPM | 1150 RPM | 1050 RPM |
| Maximum Inlet Pressure | 125 PSI | | |
| Maximum Inlet Vacuum | 9 ft. water (7.9 in. Hg) | | |
| Plunger Bore | .866 in. / 22 mm | | |
| Plunger Stroke | .630 in. / 16 mm | | |
| Crankcase Oil Capacity | 37.2 oz. | | |
| Maximum Fluid Temperature | 165° F | | |
| Inlet Port Thread | 1/2-14 BSPP-F | | |
| Discharge Port Thread | 3/8-19 BSPP-F | | |
| Shaft Diameter | .945 in. / 24 mm | | |
| Weight | 32 lbs. | | |
| Dimensions | 12.4" x 9.2" x 7.1" | | |

DIMENSIONAL DRAWING

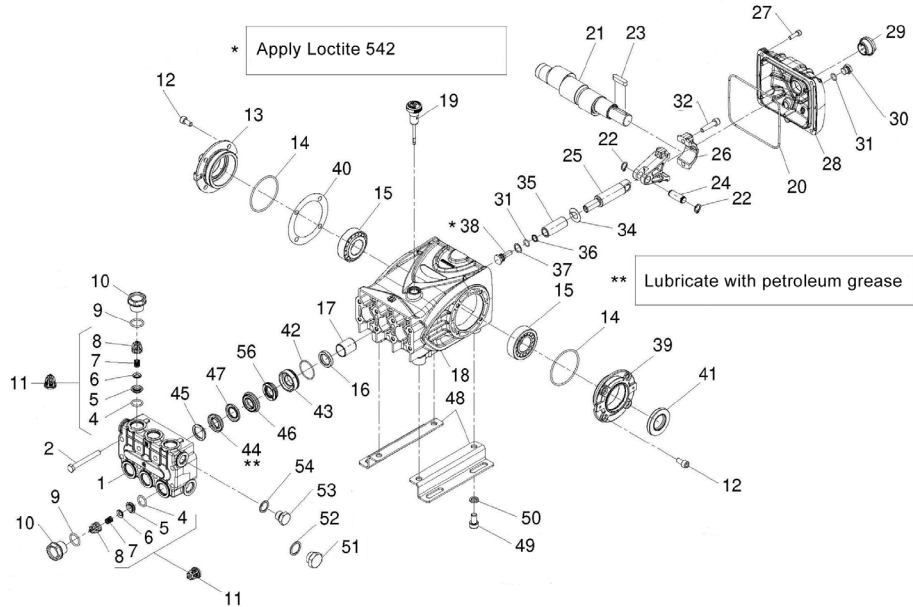


General Pump is a member of the Interpump Group



Ref 300260 Rev. L 12-23





PARTS LIST

| ITEM | PART NO. | DESCRIPTION | QTY. | ITEM | PART NO. | DESCRIPTION | QTY. | ITEM | PART NO. | DESCRIPTION | QTY. |
|------|----------|------------------------|------|------|----------|-------------------|------|------|----------|------------------------|------|
| 1. | 47120841 | Manifold | 1 | 19. | 98210600 | Oil Dip Stick | 1 | 39. | 47151022 | Cover, Crankcase | 3 |
| 2. | 99320600 | Screw, M8 x 70 | 8 | 20. | 90392200 | O-ring, Cover | 1 | 40.. | 97567800 | Shim | 2 |
| 4. | 701115 | O-ring, .674 x .10 | 6 | 21. | 47021735 | Crankshaft | 1 | 41. | 90164800 | Seal, Oil | 1 |
| 5. | 36200366 | Seat, Valve | 6 | 22. | 90055700 | Ring, Snap | 6 | 42. | 90361600 | O-ring, 1.364x.070 | 3 |
| 6. | 36200176 | Plate, Valve | 6 | 23. | 640048 | Key | 1 | 43. | 47080670 | Retainer, Packing | 3 |
| 7. | 94737600 | Spring | 6 | 24. | 97738000 | Pin, Wrist | 3 | 44. | 90272500 | Packing | 3 |
| 8. | 36200251 | Guide, Valve | 6 | 25. | 47050466 | Guide, Plunger | 3 | 45. | 46100051 | Ring, Head, M22 | 3 |
| 9. | 701002 | O-ring, .797x.103 | 6 | 26. | 47030001 | Connecting Rod | 3 | 46.. | 47217070 | Intermed. Ring | 3 |
| 10. | 98222000 | Cap | 6 | 27. | 99188400 | Screw, M6x30 | 5 | 47. | 90273000 | Restop Ring | 3 |
| | 98222200 | Cap, Ni. Plt (T1621-N) | 6 | 28. | 47160622 | Cover, Crankcase | 1 | 48. | 47200074 | Pump Feet | 2 |
| 11. | 36703201 | Valve Assembly | 6 | 29. | 97596800 | Oil Indicator | 1 | 49. | 99364400 | Screw, M10 x 18 | 4 |
| 12. | 99303900 | Screw, M8 x 16 | 8 | 30. | 98204250 | Cap | 1 | 50. | 96710600 | Washer, M10.2 | 4 |
| 13. | 47151122 | Cover, Crankcase | 1 | 31. | 701013 | O-ring, .426x.070 | 4 | 51. | 98217600 | Cap | 1 |
| 14. | 701147 | O-ring, 2.675x.103 | 2 | 32. | 99309900 | Screw, M8 x 35 | 6 | 52. | 96751400 | Washer, M21.5 | 1 |
| 15. | 91837500 | Bearing, Roller | 2 | 34.. | 96728600 | Washer, M14 | 3 | 53. | 98210000 | Cap | 1 |
| 16. | 90162500 | Seal, Oil | 3 | 35. | 47040509 | Plunger, 22 mm | 3 | 54. | 96738000 | Washer, M17.5 | 1 |
| 17. | 90912600 | Bushing | 3 | 36. | 660067 | Ring, Back-up | 3 | 56. | 90272800 | Seal, Low Press, 22 mm | 3 |
| 18. | 47010822 | Crankcase | 1 | 37. | 96728000 | Washer | 3 | | | | |
| | | | | 38. | 47219566 | Screw, Plunger | 3 | | | | |

REPAIR KITS

| KIT NO. | 1 | 2 | 3 | 4 BRASS | 5 NICKEL | 6 | 11 | 14 | 29 | 148 | 149 |
|--------------------------------------|-------------------------|----|----|------------|-------------|--------------------------|----|--------|------------------------------|--------------|--------|
| ITEM NO's INCLUDED IN KIT | 4, 5, 6 7, 8 (11) | 16 | 41 | 9, 10 | 9, 10 | 31, 34, 36, 37, 38 | 45 | 42, 43 | 42, 43 44, 45 46,47,56 | 44, 47 56 | 46, 47 |
| NUMBER OF ASSEMBLIES IN KIT | 6 | 3 | 2 | 6 | 6 | 3 | 6 | 3 | 1 | 3 | 3 |
| NUMBER OF CYLINDERS KIT WILL SERVICE | 3 | 3 | - | 3 | 3 | 3 | 3 | 3 | 1 | 3 | 3 |

TORQUE SPECS*

| Pos. | Ft/lb | Nm |
|------|-------|-----|
| 2 | 22.1 | 30 |
| 10 | 95.9 | 130 |
| 12 | 14.7 | 20 |
| 27 | 7.3 | 10 |
| 29 | 8.8 | 12 |
| 30 | 14.7 | 20 |
| 32 | 14.7 | 20 |
| 38 | 14.7 | 20 |
| 49 | 29.4 | 40 |
| 51 | 29.4 | 40 |
| 53 | 29.4 | 40 |

* Decrease torque by 20% if threads are lubricated

WARNING: High Pressure Systems require a primary pressure regulating device (i.e. regulator, unloader) and a secondary pressure relief device (i.e. pop-off valve, relief valve). Failure to install such relief devices properly could result in personal injury or damage to pump or property. GP does not assume any liability or responsibility for the operation of the user's high pressure system.



WARNING: This product can expose you to chemicals including lead, which is known to the state of California to cause cancer and birth defects or other reproductive harm. For more information, go to www.P65Warnings.ca.gov