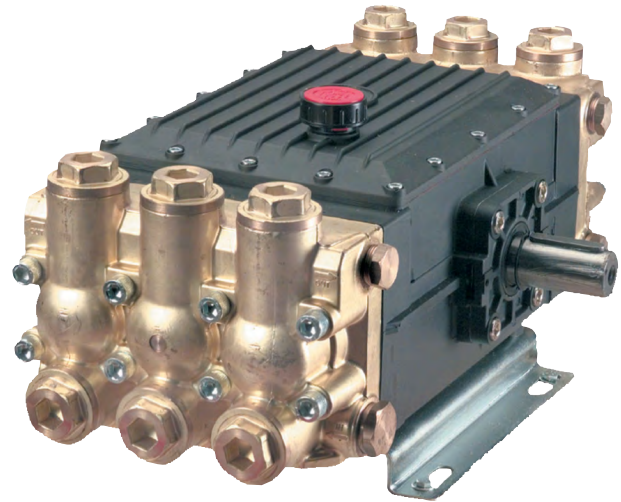


FEATURES

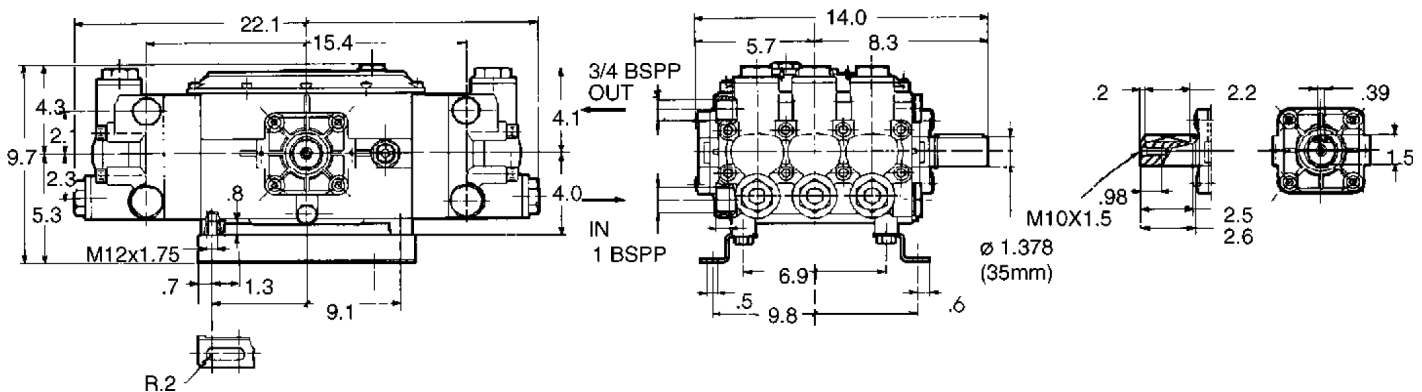
- Forged brass manifold
- High flow applications
- Dual manifolds utilizing a common crankcase for efficient performance
- Solid ceramic plungers with continuously lubricated packings
- Unitized Stainless Steel inlet and discharge valves
- Bronze connecting rods for maximum life



SPECIFICATIONS

Pump Model	T1591
Maximum Volume	28.0 GPM
Maximum Discharge Pressure	2175 PSI
Maximum Pump Speed	1000 RPM
Maximum Inlet Pressure	125 PSI
Maximum Inlet Vacuum	9 ft. water (7.9 in. Hg)
Plunger Bore (in / mm)	1.181 in. / 30 mm
Plunger Stroke (in / mm)	1.102 in. / 28 mm
Oil Capacity	71 oz.
Maximum Fluid Temperature	165° F
Inlet Port Thread	1" BSP-F
Discharge Port Thread	3/4" BSP-F
Shaft Diameter	1.378 in. / 35 mm
Weight	156.0 lbs.
Dimensions	22.1" x 14.0" x 9.7"

DIMENSIONAL DRAWING



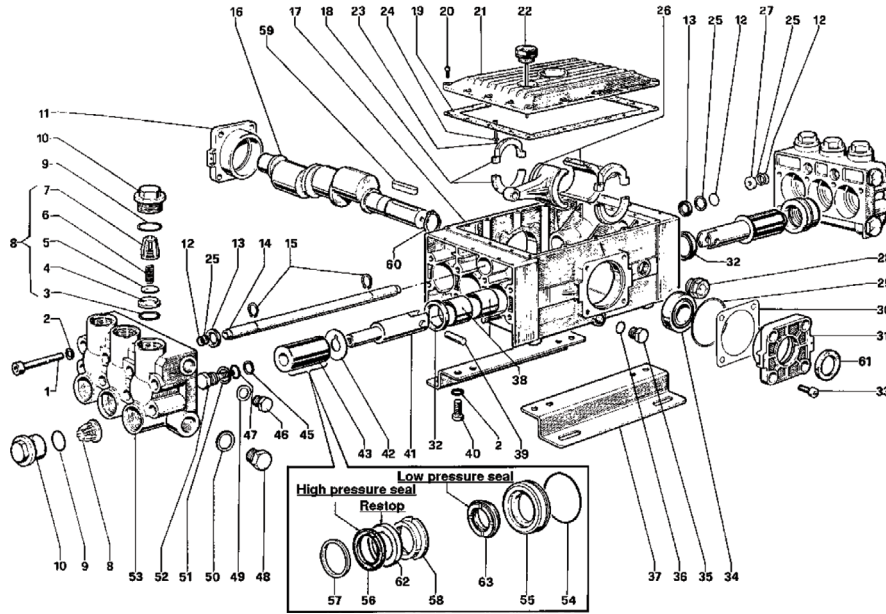
TRIPLEX

TRIPLEX

T Series 77 - 30 mm bore

GENERAL PUMP

A member of the Interpump Group



PARTS LIST

ITEM	PART NO.	DESCRIPTION	QTY.	ITEM	PART NO.	DESCRIPTION	QTY.	ITEM	PART NO.	DESCRIPTION	QTY.
1.	99441800	Screw	16	22.	98227200	Oil Dip Stick	1	43.	76040056	Plunger (30 mm)	6
2.	96719500	Washer	20	23.	99192700	Screw	12	45.	90510700	Anti-ext. Ring	6
3.	90405900	O-ring	12	24.	96693800	Washer	12	46.	98226500	Cap	3
4.	36201166	Valve Seat	12	25.	90509100	Anti-ext. Ring	4	47.	90384100	O-ring	6
5.	36201076	Valve	12	26.	77030241	Connecting Rod	3	48.	98232500	Cap	2
6.	94745000	Spring	12	27.	77220370	Cap	2	49.	96770000	Washer	3
7.	36200951	Valve Guide	12	28.	97596800	Oil Indicator	1	50.	96787000	Washer	2
8.	36706501	Valve Unit	12	29.	90414100	O-ring	2	51.	96755500	Washer	6
9.	90406500	O-ring	12	30.	76220078	Shim	2	52.	69219566	Plunger Bolt	6
10.	98242000	Cap	12	31.	76150022	Crankcase	1	53.	77121041	Manifold	2
11.	76150122	Cover	1	32.	90167000	Ring	6	54.	90390300	O-ring	6
12.	90383500	O-Ring	4	33.	99365200	Screw	8	55.	76080070	Packing Retain.	6
13.	90161400	Ring	4	34.	91847400	Bearing	2	56.	90277000	Packing	6
14.	77212293	Head Conn. Tube	1	35.	98210000	Cap	1	57.	69100051	Head Ring	6
15.	90060500	Circlip	2	36.	90383300	O-ring	1	58.	69216770	Intermed. Ring	6
16.	76021035	Crankshaft	1	37.	76200074	Foot	2	59.	91497800	Key	1
17.	77010022	Crankcase	1	38.	90917200	Bushing	12	60.	90069500	Circlip	1
18.	77212001	Ring	6	39.	97740000	Plunger Pin	6	61.	90167200	Ring	1
19.	77211884	Gasket	1	40.	99426600	Screw	4	62.	90277400	Ring	6
20.	99186700	Screw	16	41.	77050054	Plunger Guide	6	63.	90277600	Seal, Low Press, 30mm	6
21.	77211422	Cover	1	42.	96756800	Washer	6				

REPAIR KITS

TORQUE SPECS*

KIT NO.	K32	K43	K44	K65	K66	K74	K113	K114	K115
ITEM NO's INCLUDED IN KIT	61	3, 4, 5	32	57	58	45, 47	56, 62	54, 55	54, 55, 56
NUMBER OF ASSEMBLIES IN KIT	2	6	3	6	3	3	3	3	1
NUMBER OF CYLINDERS KIT WILL SERVICE	-	6	3	3	3	3	3	3	1

Pos.	Ft/lb	Nm
1	51.5	70
10	110.6	150
20	7.3	10
23	8.8	12
28	13.2	18
33	29.4	40
35	29.4	40
40	51.5	70
46	51.5	70
48	73.7	100
52	29.4	40

* Decrease torque by 20% if threads are lubricated

WARNING: High Pressure Systems require a primary pressure regulating device (i.e. regulator, unloader) and a secondary pressure relief device (i.e. pop-off valve, relief valve). Failure to install such relief devices properly could result in personal injury or damage to pump or property. GP does not assume any liability or responsibility for the operation of the user's high pressure system.



WARNING: This product can expose you to chemicals including lead, which is known to the state of California to cause cancer and birth defects or other reproductive harm. For more information, go to www.P65Warnings.ca.gov

