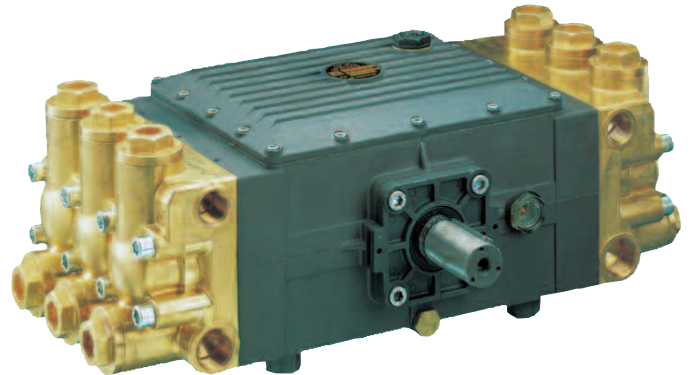


## FEATURES

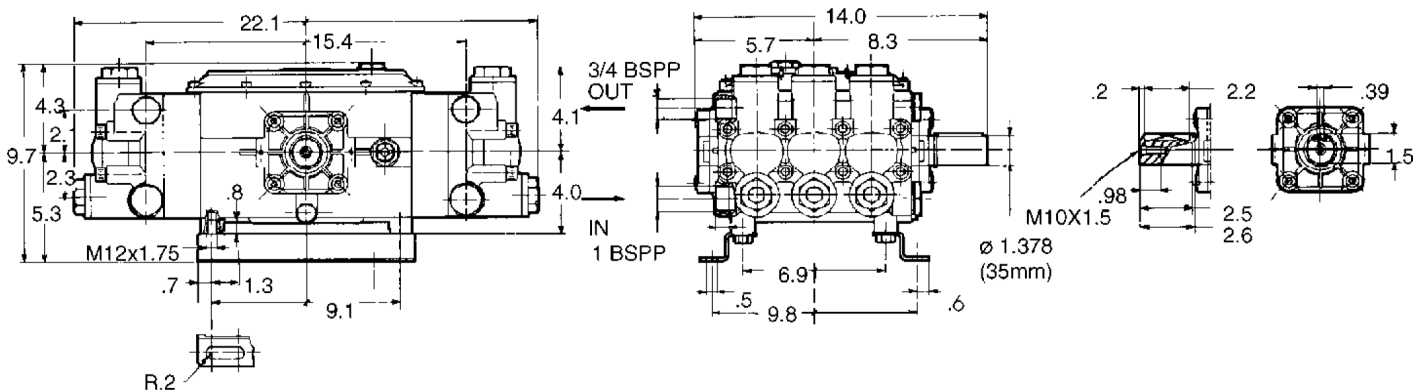
- Forged brass manifold with an exclusive lifetime warranty
- High flow applications
- Dual manifolds utilizing a common crankcase for efficient performance
- Solid ceramic plungers with continuously lubricated packings
- Unitized Stainless Steel inlet and discharge valves
- Bronze connecting rods for maximum life



## SPECIFICATIONS

Pump Model	T121	T151
Maximum Volume	35.0 GPM	43.0 GPM
Maximum Discharge Pressure	1000 PSI	
Maximum Pump Speed	650 RPM	
Maximum Inlet Pressure	125 PSI	
Maximum Inlet Vacuum	9 ft. water (7.9 in. Hg)	
Plunger Bore	1.772 in. / 45 mm	
Plunger Stroke	.945 in. / 24 mm	1.102 in. / 28 mm
Oil Capacity	71 oz.	
Maximum Fluid Temperature	165° F	
Inlet Port Thread	1" BSP-F	
Discharge Port Thread	3/4" BSP-F	
Shaft Diameter	1.378 in. / 35 mm	
Weight	156.0 lbs.	
Dimensions	22.1" x 14.0" x 9.7"	

## DIMENSIONAL DRAWING

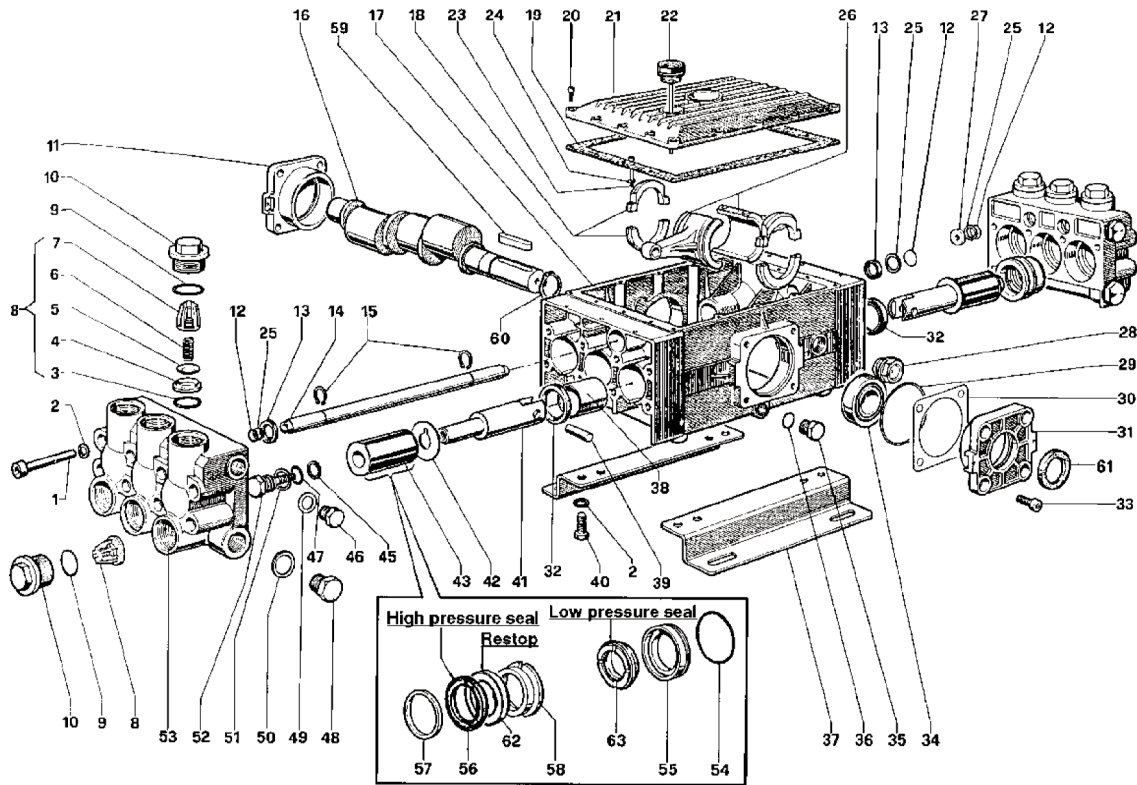


SIXPLEX

SIXPLEX

# T Series 77 - 45 mm bore

**GENERAL PUMP** *A member of the Interpump Group*



## PARTS LIST

ITEM	PART NO.	DESCRIPTION	KIT NO.	QTY.	ITEM	PART NO.	DESCRIPTION	KIT NO.	QTY.	ITEM	PART NO.	DESCRIPTION	KIT NO.	QTY.
1.	99441800	Screw		16	21.	77211422	Cover		1	42.	96756800	Washer		6
2.	96719500	Washer		20	22.	98227200	Oil Dip Stick		1	43.	76040209	Plunger (45 mm)		6
3.	90405900	O-ring	43	12	23.	99192700	Screw		12	45.	90510700	Anti-ext. Ring	74	6
4.	36201166	Valve Seat	43	12	24.	96693800	Washer		12	46.	98226500	Cap		3
5.	36201076	Valve	43	12	25.	90509100	Anti-ext. Ring		4	47.	90384100	O-ring	74	6
6.	94745000	Spring	43	12	26.	77030241	Connecting Rod		3	48.	98232500	Cap		2
7.	36200951	Valve Guide	43	12	27.	77220370	Cap		2	49.	96770000	Washer		3
8.	36706501	Valve Unit	43	12	28.	97596800	Oil Indicator		1	50.	96787000	Washer		2
9.	90406500	O-ring	12	12	29.	90414100	O-ring		2	51.	96755500	Washer	74	6
10.	98242000	Cap	12	12	30.	76220078	Shim		2	52.	69219566	Plunger Bolt	74	6
11.	76150122	Cover		1	31.	76150022	Crankcase		1	53.	77120041	Manifold		2
12.	90383500	O-Ring		4	32.	90167000	Ring	44	6	54.	90390300	O-ring	47, 80	6
13.	90161400	Ring		4	33.	99365200	Screw		8	55.	76080270	Packing Retain.	47, 80	6
14.	77212293	Head Conn. Tube		1	34.	91847400	Bearing		2	56.	90285000	Packing	79, 80	6
15.	90060500	Circlip		2	35.	98210000	Cap		1	57.	76100251	Head Ring	48, 80	6
16.	76021135	Crankshaft (T121)		1	36.	90383300	O-ring		1	58.	76217070	Intermed. Ring	80, 81	6
	76021035	Crankshaft (T151)		1	37.	76200074	Foot		2	59.	91497800	Key		1
17.	77010022	Crankcase		1	38.	90917400	Bushing		6	60.	90069500	Circlip		1
18.	77212001	Ring		6	39.	97740000	Plunger Pin		6	61.	90167200	Ring	32	1
19.	77211884	Gasket		1	40.	99426600	Screw		4	62.	90284800	Ring	79,80,81	6
20.	99186700	Screw		16	41.	77050054	Plunger Guide		6	63.	90285500	Seal, Low Press, 45mm	79,80	6

## REPAIR KITS

KIT NO.	K32	K43	K44	K47	K48	K74	K79	K80	K81
ITEM NO's INCLUDED IN KIT	61	3, 4, 5, 6, 7, (8)	32	54, 55	57	45, 47, 51, 52	56, 62, 63	54, 55, 56, 57, 58, 62, 63	58, 62
NUMBER OF ASSEMBLIES IN KIT	2	6	3	3	6	3	3	1	3
NUMBER OF CYLINDERS KIT WILL SERVICE	-	6	3	3	6	3	3	1	31

## TORQUE SPECS\*

Pos.	Ft/lb	Nm
1	51.5	70
10	110.6	150
20	7.3	10
23	8.8	12
28	13.2	18
33	29.4	40
40	51.5	70
46	51.5	70
48	73.7	100
52	29.4	40

\* Decrease torque by 20% if threads are lubricated

