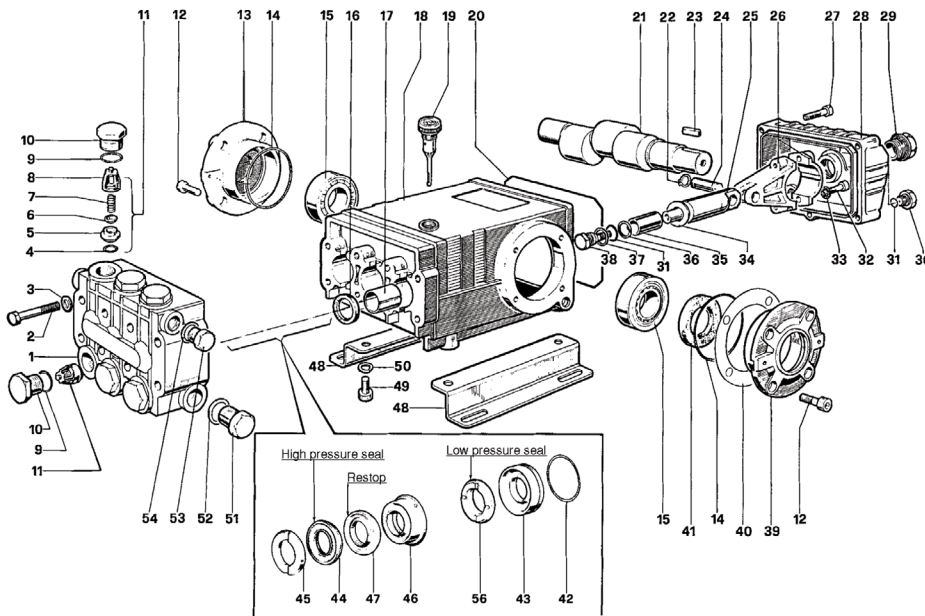




# T Series 47S-20mm x 16 mm

# GENERAL PUMP

A member of the Interpump Group



## PARTS LIST

| ITEM | PART NO. | DESCRIPTION                 | KIT NO. | QTY. | ITEM | PART NO. | DESCRIPTION              | KIT NO. | QTY. | ITEM | PART NO. | DESCRIPTION            | KIT NO.       | QTY. |   |
|------|----------|-----------------------------|---------|------|------|----------|--------------------------|---------|------|------|----------|------------------------|---------------|------|---|
| 1.   | 47120841 | Manifold                    |         | 1    | 19.  | 98210600 | Oil Dip Stick            |         | 1    | 37.  | 96728000 | Washer                 | 6             | 3    |   |
|      | 47120941 | Manifold, Ni. Plt. (TS2021) |         | 1    | 20.  | 90392200 | O-ring, Cover            |         | 1    | 38.  | 47219566 | Screw, Plunger         | 6             | 3    |   |
| 2.   | 99320600 | Screw, M8 x 70              |         | 8    | 21.  | 47021735 | Crankshaft, USA          |         | 1    | 39.  | 47150022 | Cover, Crankcase       |               | 3    |   |
| 3.   | 203476   | Washer, M8.4                |         | 8    | 22.  | 90055700 | Ring, Snap               |         | 6    | 40.. | 97567800 | Shim                   |               | 2    |   |
| 4.   | 701115   | O-ring, .674 x .10          |         | 8    | 23.  | 640048   | Key                      |         | 1    | 41.  | 90164800 | Seal, Oil              | 3             | 1    |   |
| 5.   | 36200366 | Seat, Valve                 |         | 6    | 24.  | 97738000 | Pin, Wrist               |         | 3    | 42.  | 90361600 | O-ring, 1.364x.070     | 10,28         | 3    |   |
| 6.   | 36200176 | Plate, Valve                |         | 6    | 25.  | 47050554 | Guide, Plunger           |         | 3    | 43.  | 47080570 | Retainer, Packing      | 10,28         | 3    |   |
| 7.   | 94737600 | Spring                      |         | 6    | 26.  | 47030001 | Connecting Rod           |         | 3    | 44.  | 90270500 | Packing                | 28,69         | 3    |   |
| 8.   | 36200251 | Guide, Valve                |         | 6    | 27.  | 99191200 | Screw, M6x30             |         | 5    | 45.  | 47100051 | Ring, Head, M20        | 7,28          | 3    |   |
| 9.   | 701002   | O-ring, .797x.103           | 4,5     | 6    |      | 99183700 | Screw, M6x14 (T1011)     |         | 5    | 46.. | 47216970 | Intermed. Ring         | 28, 71        | 3    |   |
| 10.  | 98222000 | Cap                         |         | 6    | 28.  | 47160122 | Cover, Crankcase         |         | 1    | 47.  | 90270400 | Restop Ring            | 28,69,71      | 3    |   |
|      | 98222200 | Cap, Ni. Plt (TS2021)       |         | 6    |      | 47160022 | Cover, Crankcase (T1011) |         | 1    | 48.  | 47200074 | Pump Feet              |               | 2    |   |
| 11.  | 36703201 | Valve Assembly              |         | 6    | 29.  | 97596800 | Oil Indicator            |         | 1    | 49.  | 99364400 | Screw, M10 x 18        |               | 4    |   |
| 12.  | 99303900 | Screw, M8 x 16              |         | 8    | 30.  | 98204100 | Cap                      |         | 1    | 50.  | 96710600 | Washer, M10.2          |               | 4    |   |
| 13.  | 47150122 | Cover, Crankcase            |         | 1    | 31.  | 701013   | O-ring, .426x.070        | 6       | 4    | 51.  | 98217600 | Cap                    |               | 1    |   |
| 14.  | 701147   | O-ring, 2.675x.103          |         | 2    | 32.  | 99309900 | Screw, M8 x 35           |         | 6    | 52.  | 96751400 | Washer, M21.5          |               | 1    |   |
| 15.  | 640047   | Bearing, Roller             |         | 2    | 33.  | 96701400 | Washer, M8.4             |         | 6    | 53.  | 98210000 | Cap                    |               | 1    |   |
| 16.  | 90162500 | Seal, Oil                   | 2       | 3    | 34.. | 96728600 | Washer, M14              |         | 6    | 3    | 54.      | 96738000               | Washer, M17.5 |      | 1 |
| 17.  | 90912600 | Bushing                     |         | 3    | 35.  | 47040409 | Plunger, 20 mm           |         | 3    | 56.  | 90271000 | Seal, Low Press, 20 mm | 28, 69        | 3    |   |
| 18.  | 47010522 | Crankcase                   |         | 1    | 36.  | 660067   | Ring, Back-up            |         | 6    | 3    |          |                        |               |      |   |

## REPAIR KITS

| KIT NO.                              | 1                    | 2  | 3  | 4     | 5     | 6                 | 7  | 10     | 28                           | 69           | 71     |
|--------------------------------------|----------------------|----|----|-------|-------|-------------------|----|--------|------------------------------|--------------|--------|
| ITEM NO's INCLUDED IN KIT            | 4,5,6<br>7,8<br>(11) | 16 | 41 | 9, 10 | 9, 10 | 31,34,36<br>37,38 | 45 | 42, 43 | 42, 43<br>44, 45<br>46,47,56 | 44, 47<br>56 | 46, 47 |
| NUMBER OF ASSEMBLIES IN KIT          | 6                    | 3  | 2  | 6     | 6     | 3                 | 6  | 3      | 1                            | 3            | 3      |
| NUMBER OF CYLINDERS KIT WILL SERVICE | 3                    | 3  | -  | 3     | 3     | 3                 | 3  | 3      | 1                            | 3            | 3      |

## TORQUE SPECS\*

| Pos. | Ft/lb | N-M |
|------|-------|-----|
| 2    | 22.1  | 30  |
| 10   | 95.9  | 130 |
| 12   | 14.7  | 20  |
| 27   | 7.3   | 10  |
| 29   | 8.8   | 12  |
| 30   | 14.7  | 20  |
| 32   | 14.7  | 20  |
| 38   | 14.7  | 20  |
| 49   | 29.4  | 40  |
| 51   | 29.4  | 40  |

\* Decrease torque by 20% if threads are lubricated

**WARNING: High Pressure Systems require a primary pressure regulating device (i.e. regulator, unloader) and a secondary pressure relief device (i.e. pop-off valve, relief valve). Failure to install such relief devices properly could result in personal injury or damage to pump or property. GP does not assume any liability or responsibility for the operation of the user's high pressure system.**



WARNING: This product can expose you to chemicals including lead, which is known to the state of California to cause cancer and birth defects or other reproductive harm. For more information, go to [www.P65Warnings.ca.gov](http://www.P65Warnings.ca.gov)

**GENERAL PUMP** 1174 Northland Drive • Mendota Heights, MN 55120  
Phone: 651.686.2199 • Fax: 800.535.1745 • e-mail: [sales@gpcompanies.com](mailto:sales@gpcompanies.com) • [www.generalpump.com](http://www.generalpump.com)

Ref 300204 Rev. N  
06-22

