



**FEATURES**

- Limits the pressure to the maximum working pressure of the system.
- When the max working pressure is exceeded it opens and discharges the total pump flow, eliminating the high pressure in the system.
- Pre-set and leaded according to the working pressure stamped on the valve body.

**SPECIFICATIONS**

MODEL	MAXIMUM GPM	MAXIMUM PSI
SV2/100	50.0	1450
SV2/200	50.0	2900
SV2/300	50.0	4350
SV2/400	50.0	5800
SV2/500	50.0	7250
SV2/600	50.0	8700
SV2/700	50.0	10150
SV2/800	50.0	11600

Port Size: Inlet 1/2" BSP-M

Weight 2.5 lbs.

Materials: Valve Body AISI 304 SS  
 Valve Seat AISI 304 SS  
 Valve AISI 420 SS

**WARRANTY**

General Pump accessories are warranted by the manufacturer to be free from defects in material and workmanship. Period of warranty shall be 90 days from the date product is received by the original buyer. Liability of manufacturer under the foregoing warranty is limited to **repair** or **replacement** at the option of manufacturer of that product which according to the manufacturer's investigation was deemed defective at time of shipment. Damage resulting from neglect, abuse, tampering or misapplication voids this warranty. This warranty is in lieu of all other warranties, expressed or implied, including any warranty of merchantability and/or any and all other obligations or liabilities on the part of the manufacturer. **ANY SERVICE ON THE VALVE IS FORBIDDEN, MAINTENANCE CAN BE CARRIED OUT BY THE MANUFACTURER ONLY. ALL RESPONSIBILITIES ARE DECLINED AND THE WARRANTY VOIDED BY TAMPERING WITH THE LEAD SEAL OR REMOVING IT.**

# SV2

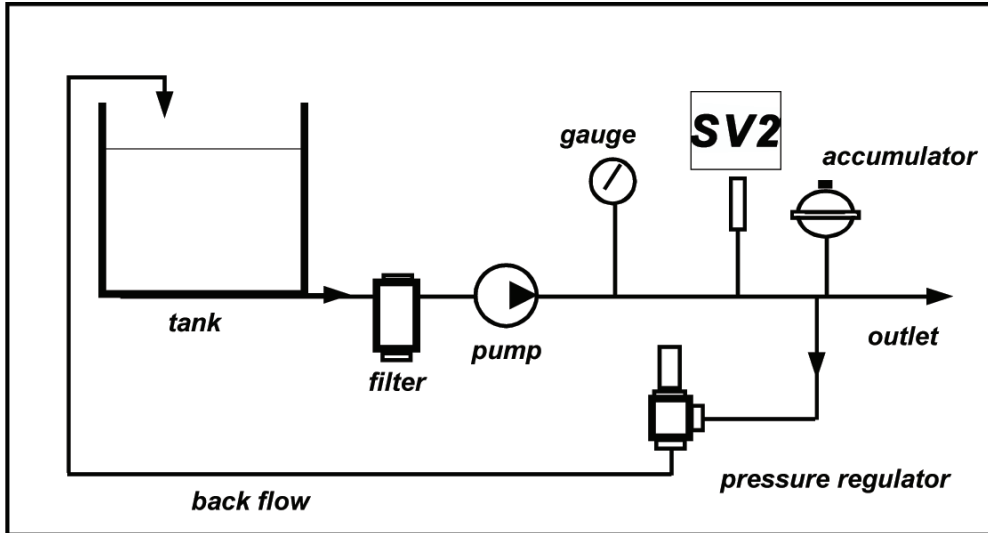
Stainless Steel Safety Relief Valve

**GENERAL PUMP**

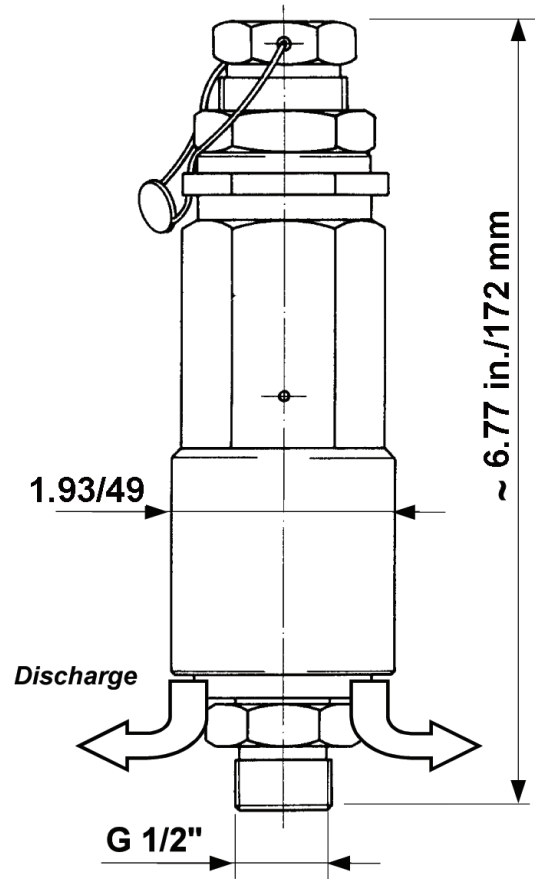
*A member of the Interpump Group*

## INSTALLATION

The SV2 should be installed in the pressure line in any position as close as possible to the pump.



## DIMENSIONS



Ref 300181 Rev. D  
01-13