

SV12

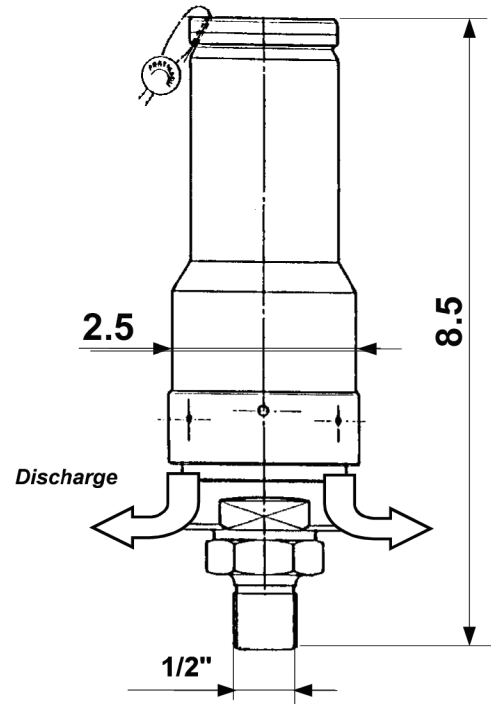
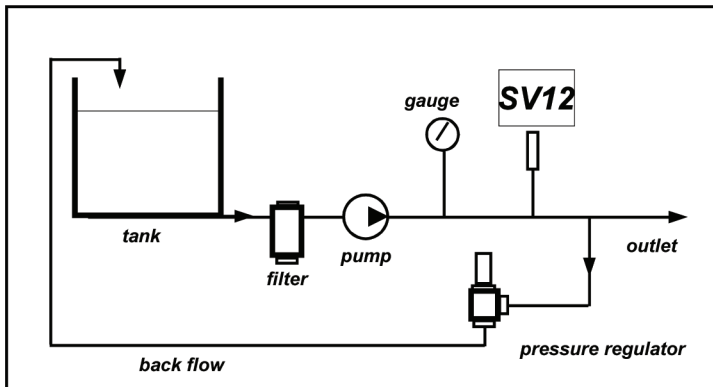
Safety Relief Valve

GENERAL PUMP

A member of the Interpump Group

INSTALLATION

- The SV12 should be installed in the pressure line in any position as close as possible to the pump.



WARNINGS

Any service on the valve is forbidden, maintenance should be carried out by qualified personnel only.

All responsibilities are declined and the warranty voided by tampering with the lead seal or removing it.

Ref 300656 Rev. A
10-08