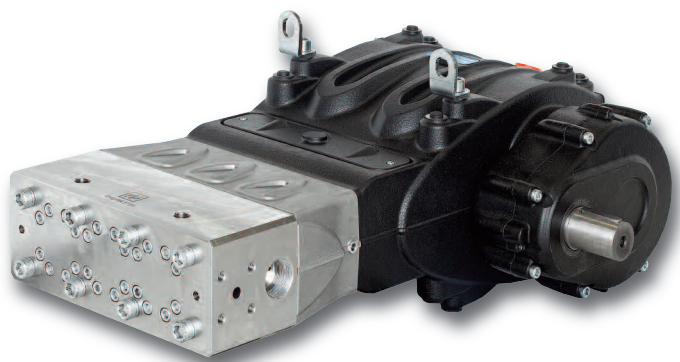


SM Series

FEATURES

- Triplex Plunger Pump, available in 6 flows
- Double pressure packings
- Pressure packing integrated cooling system
- Horizontally fitted in-line valves
- Splash lubrication
- Gear ratios: 1500 RPM=1.875:1, 1800 RPM=2.238:1, 2200=2.722:1, 2600=3.25:1
Solid shaft only for belt-driven applications



MATERIALS

- High resistance stainless steel manifold
- Solid ceramic plungers
- Forged steel connecting rods
- Stainless steel valves
- Tempered steel alloy crankshaft
- Cast iron crankcase
- Double rim roller bearings
- Proprietary seal technology

COMMON SPECIFICATIONS

- Maximum Inlet Pressure: 100 PSI
- Minimum Inlet Pressure:75 PSI
- Maximum Fluid Temperature: *85° F
- Inlet Port Thread: 1-1/2 G
- Discharge Port Thread: 3/4" HP Special
- Shaft Diameter: (w/gear box) 1.969"/50 mm
- Stroke: 2.756"/70 mm
- Pump Dimensions: 34.6" x 23" x 14.13"
- Crankcase Oil Capacity, with gearbox: 304 oz. (9 liters)
 (use GP Series 220 Oil)
- Shipping Weight: 573 lbs./260 kg

Product Group: V

***Please consult technical guide or GP Sales Representative for Temperature/Inlet Pressure Information.**

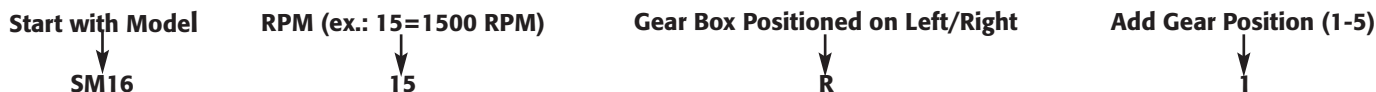
Note: All models come standard with crankshaft on right side (when facing manifold), specify "L" after part number when ordering left hand version.

MODEL	GPM/LPM	PSI/BAR	RPM	BORE	HP
SM14	6.9 GPM/26 LPM	21750 PSI/1500 BAR	1500/1800/2200 RPM	.551 in./14 mm	101.0
SM16	9.0 GPM/34 LPM	17400 PSI/1200 BAR	1500/1800/2200 RPM	.629 in./16 mm	106.0
SM18	11.4 GPM/43 LPM	13050 PSI/900 BAR	1500/1800/2200 RPM	.708 in./18 mm	101.0
SM20	14.0 GPM/53 LPM	10875 PSI/750 BAR	1500/1800/2200 RPM	.787 in./20 mm	103.0
SM22	16.9 GPM/64 LPM	8700 PSI/600 BAR	1500/1800/2200 RPM	.866 in./22 mm	100.0
SM24	20.1 GPM/76 LPM	7250 PSI/500 BAR	1500/1800/2200 RPM	.944 in./24 mm	99.0

Volumes are theoretical at 100% volumetric efficiency.

How to order/Examples of Part Numbers:

When ordering with gear box:



So the Part Number in the Above Example: **SM1615R1**
 (Model is SM16, with an RPM of 1500, gear box positioned on right side of pump, in the first position.)

PUMP OPTIONS

- SAE-J 744-C hollow shaft P.T.O. for direct mount hydraulic drive available (all ratios)
- Available with external gear box (1500, 1800 and 2200 RPM)



General Pump
is a member of
The Interpump Group

ACCESSORIES

REGULATORS

■ **RV14/800**
RV14/1500

26.4 GPM
17400 PSI



■ **PNRV14/800**
PNRV14/1500

26.4 GPM
11600/21750 PSI



SAFETY DEVICES

■ **SV2**

50.0 GPM
1450-8700PSI



■ **S1503/S1510**

2.6-26.4 GPM
6960-10150 PSI



■ **SV12**

26.4 GPM
11600-21750 PSI



DUMP VALVES

■ **FPN12**

21.0 GPM
3050 PSI



■ **FPN14**

21.0 GPM
21750 PSI



MISCELLANEOUS

GUNS / LANCES

■ **P12**

21.0 GPM
21750 PSI



■ **P45/P47**

21.0 GPM
7250 PSI



■ **PS12**

21.0 GPM
21750 PSI
Submersible



■ **VP12**

21.0 GPM
21750 PSI
Foot Valve



■ **Y7K**

7000 PSI
Rotating
Nozzle



■ **320004**

20000 PSI
Pressure
Gauge



■ **ZRMAX**

1.4-13.9 GPM
11000/22000 PSI
Rotating Nozzle



■ **190448**

Oil Drain Kit



SM series

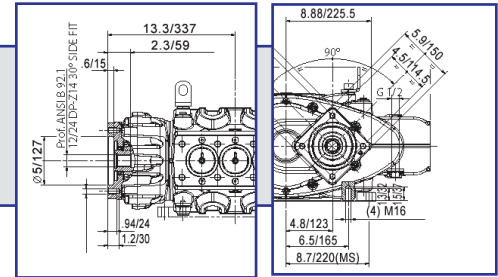
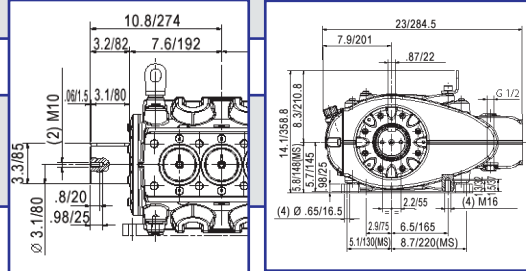
Technical Details



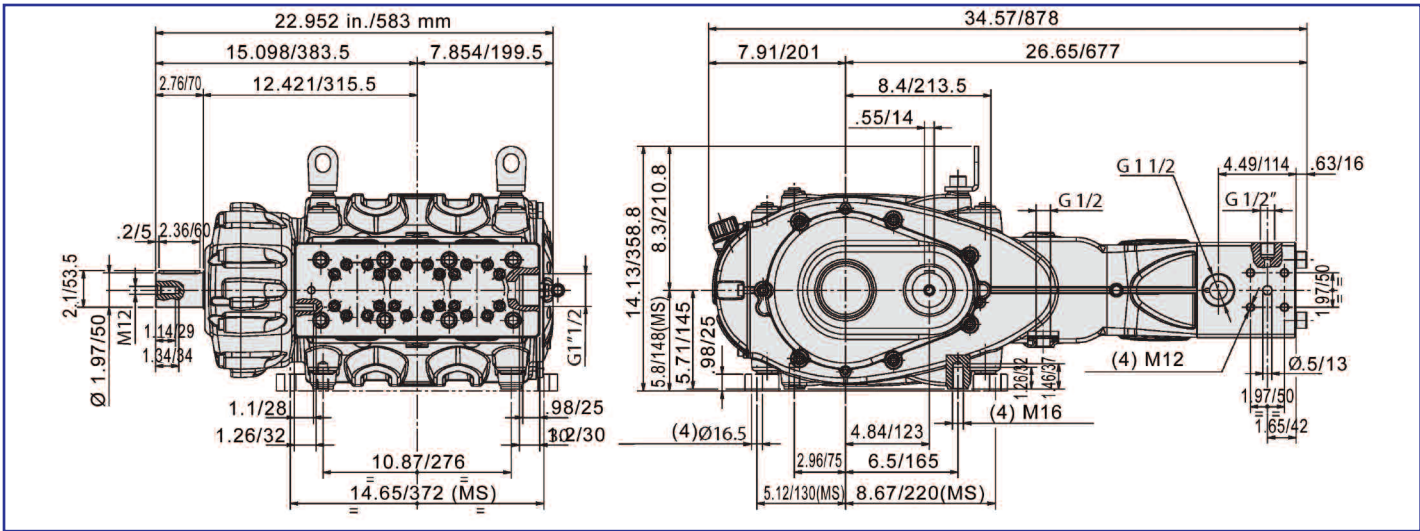
DRIVE OPTIONS

SAE-J 744-C hollow shaft P.T.O. for direct mount hydraulic drive (all ratios).

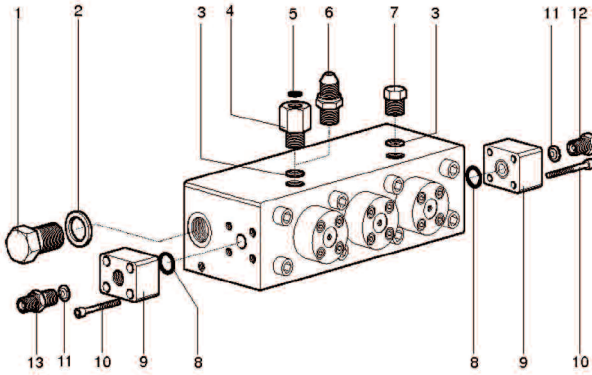
Direct drive without gearbox.



OVERALL DIMENSIONS



CONNECTION KITS



KIT	CODE
F1125	A
F1126	C
F1103	C
F1104	C

KIT	CODE
F1127	E
F1128	F
F1129	G
F1130	H

KIT	CODE
F1131	I
F1132	L
F1133	M
F1300	K

Note: F1300 includes fittings required for NPT conversion when operating under 15,000 PSI.

Item	P/N	Description	Kit	Kit Qty.
1	680093	1 1/2" G Plug	A-K	1-1
	520146	1 1/2" G-1 1/2" NPT-F	K	1
2	680085	1 1/2" Seal Ring	A-K	1-2
3	680086	1/2" Conical Seal-2 Pc. Included w/Pump	B-C-D	1-1-1
Accessory Ports - High Pressure G Special Fittings Must Utilize Conical Seal				
4	680038	Gauge Fitting 1/2" G	C	1
5	680081	Seal Washer for 680038	C	1
6	F084200430	Male Gauge Fitting (metric)	B	1
	680154	1/2" G Spec.-1/2" NPT-F For Use Under 15000 PSI	K	2
	680136	1/2" G Spec.-1/2" NPT-M For Use Under 15000 PSI	K	1
	680125	1/2" G Spec.-HIP LF9, 13/16", 16TPI, 60 Degree Cone	None	
7	680089	1/2" Plug-Special G Thread	D-K	1-2
8	F881010200	O-ring, 18.64 x 3.53	E-K	1-2
9	F073200260	Mounting Block, 3/4"-G	E-K	1-2
10	F871131308	Mounting Bolt, M12 x 55 Special	E-K	4-8
11	680132	3/4" Conical Seal-2 Pcs. Included w/Pump	F-G-H-I-L-M	1
12	680133	3/4" Plug-Special G Thread	F	1
Discharge Ports - High Pressure G Special Fittings Must Utilize Conical Seal				
	520277	3/4" G Spec.-3/4" NPT-F For Use Under 15000 PSI	K	2
	680156	3/4" G Spec.-3/4" NPT-M For Use Under 15000 PSI	K	1
	680126	3/4" G Spec.-HIP LF9, 13/16", 16TPI, 60 Degree Cone	None	
	639321	3/4" NPT-M x 1"-12	None	
	F084200610	3/4" G Special - G3/8"	G	1
	F084200620	3/4" G Special - M20 x 1.5	H	1
	F084200630	3/4" G Special - M22 x 1.5	I	1
	F084200370	3/4" G Special - M24 x 1.5	L	1
	F084200640	3/4" G Special - M36 x 1.5	M	1

