

GENERAL PUMP *A member of the Interpump Group*

Sewer Jet Nozzles

"Flusher" Type



SPECIFICATIONS

| | |
|---------------------|----------------------------------|
| Max Volume | See Nozzle Chart on Reverse Side |
| Max Pressure | 5000 PSI |
| Inlet Connection | 1/4" NPT-F |
| Front Spray Nozzles | 0 |
| Back Spray Nozzles | 3 |
| Weight | .325 lb. |

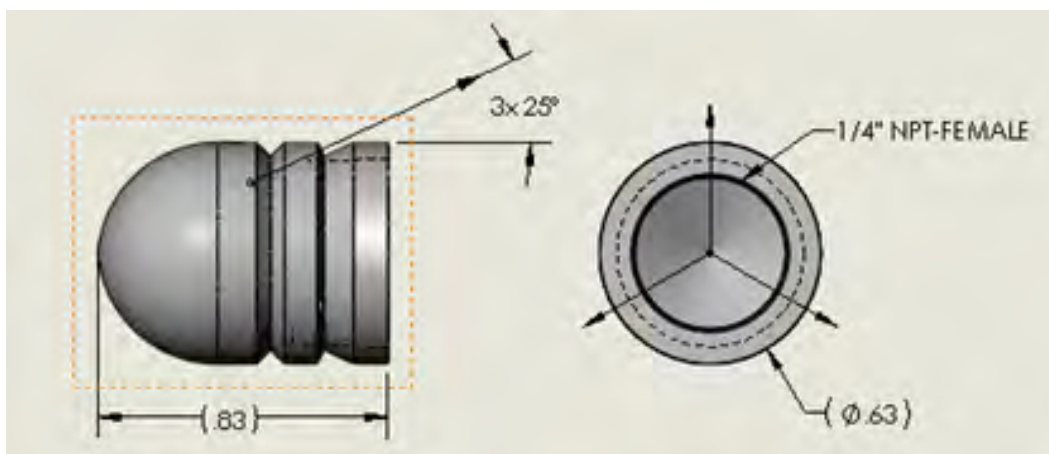
FEATURES/BENEFITS

- Flusher nozzles expel loose debris as hose travels through pipe
- 3 rear facing nozzles advance hose through pipe
- High pressure nozzles are sized to match the flow and pressure specifications of the equipment
- Heat-treated Stainless Steel nozzles are wear and corrosion resistant
- Great for pipe, sewer and drain cleaning
- Compact design allows for maneuverability and cornering within pipes

| Part No. | Nozzle Size |
|-------------|-------------|
| SJN0250F3B1 | #2.5 |
| SJN0300F3B1 | #3.0 |
| SJN0400F3B1 | #4.0 |
| SJN0450F3B1 | #4.5 |
| SJN0500F3B1 | #5.0 |
| SJN0550F3B1 | #5.5 |

WARNING: High Pressure Systems require a primary pressure regulating device (i.e. regulator, unloader) and a secondary pressure relief device (i.e. pop-off valve, relief valve). Failure to install such relief devices properly could result in personal injury or damage to pump or property. GP does not assume any liability or responsibility for the operation of a customer's high pressure system.

Dimensions



General Pump
is a member of
the Interpump Group



Ref 310180 Rev. B
07-22



Sewer Jet Nozzles

"Flusher" Type

NOZZLE CHART

| Nozzle Size | Orifice Dia. | 40 PSI | 100 PSI | 250 PSI | 500 PSI | 600 PSI | 700 PSI | 800 PSI | 1000 PSI | 1200 PSI | 1500 PSI | 2000 PSI | 2500 PSI | 3000 PSI | 3500 PSI | 4000 PSI | 5000 PSI |
|-------------|--------------|-------------|-------------|-------------|-------------|-------------|-------------|-------------|-------------|-------------|-------------|-------------|-------------|-------------|-------------|-------------|-------------|
| 2.0 | .034 | 0.20 | 0.32 | 0.50 | 0.71 | 0.77 | 0.84 | 0.89 | 1.00 | 1.10 | 1.22 | 1.41 | 1.58 | 1.73 | 1.87 | 2.00 | 2.24 |
| 2.5 | .039 | .025 | 0.40 | 0.63 | 0.88 | 0.97 | 1.05 | 1.12 | 1.25 | 1.37 | 1.53 | 1.77 | 1.98 | 2.17 | 2.34 | 2.50 | 2.80 |
| 3.0 | .043 | 0.30 | 0.47 | 0.75 | 1.06 | 1.16 | 1.25 | 1.34 | 1.50 | 1.64 | 1.84 | 2.12 | 2.37 | 2.60 | 2.81 | 3.00 | 3.35 |
| 3.25 | .045 | 0.33 | 0.51 | 0.81 | 1.15 | 1.26 | 1.36 | 1.45 | 1.63 | 1.78 | 1.99 | 2.30 | 2.57 | 2.81 | 3.04 | 3.25 | 3.63 |
| 3.5 | .048 | 0.35 | 0.55 | 0.88 | 1.24 | 1.26 | 1.46 | 1.57 | 1.75 | 1.92 | 2.14 | 2.47 | 2.77 | 3.03 | 3.27 | 3.50 | 3.91 |
| 3.75 | .050 | 0.38 | 0.59 | 0.94 | 1.33 | 1.45 | 1.57 | 1.68 | 1.88 | 2.05 | 2.30 | 2.65 | 2.96 | 3.25 | 3.51 | 3.75 | 4.17 |
| 4.0 | .052 | 0.40 | 0.63 | 1.00 | 1.41 | 1.45 | 1.67 | 1.79 | 2.00 | 2.16 | 2.45 | 2.83 | 3.16 | 3.46 | 3.74 | 4.00 | 4.47 |
| 4.5 | .055 | 0.45 | 0.71 | 1.13 | 1.59 | 1.74 | 1.88 | 2.01 | 2.25 | 2.46 | 2.76 | 3.18 | 3.56 | 3.90 | 4.21 | 4.50 | 5.03 |
| 5.0 | .057 | 0.50 | 0.79 | 1.25 | 1.77 | 1.94 | 2.09 | 2.24 | 2.50 | 2.74 | 3.06 | 3.54 | 3.95 | 4.33 | 4.68 | 5.00 | 5.59 |
| 5.5 | .060 | 0.55 | 0.87 | 1.38 | 1.94 | 2.13 | 2.30 | 2.46 | 2.75 | 3.01 | 3.37 | 3.89 | 4.35 | 4.76 | 5.14 | 5.50 | 6.15 |
| 6.0 | .062 | 0.60 | 0.95 | 1.50 | 2.12 | 2.32 | 2.51 | 2.68 | 3.00 | 3.29 | 3.67 | 4.24 | 4.74 | 5.20 | 5.61 | 6.00 | 6.71 |
| 6.5 | .064 | 0.65 | 1.03 | 1.63 | 2.30 | 2.52 | 2.72 | 2.91 | 3.25 | 3.56 | 3.98 | 4.60 | 5.14 | 5.63 | 6.08 | 6.50 | 7.27 |
| 7.0 | .067 | 0.70 | 1.11 | 1.75 | 2.47 | 2.71 | 2.93 | 3.13 | 3.50 | 3.83 | 4.29 | 4.95 | 5.53 | 6.06 | 6.55 | 7.00 | 7.83 |
| 7.5 | .070 | 0.75 | 1.19 | 1.88 | 2.65 | 2.90 | 3.14 | 3.35 | 3.75 | 4.11 | 4.59 | 5.30 | 5.93 | 6.50 | 7.02 | 7.50 | 8.39 |
| 8.0 | .072 | 0.80 | 1.26 | 2.00 | 2.83 | 3.10 | 3.35 | 3.58 | 4.00 | 4.38 | 4.90 | 5.66 | 6.32 | 6.93 | 7.48 | 8.00 | 8.94 |
| 8.5 | .074 | 0.85 | 1.34 | 2.13 | 3.01 | 3.29 | 3.56 | 3.80 | 4.25 | 4.66 | 5.21 | 6.01 | 6.72 | 7.36 | 7.95 | 8.50 | 9.50 |
| 9.0 | .076 | 0.90 | 1.42 | 2.25 | 3.18 | 3.49 | 3.76 | 4.02 | 4.50 | 4.93 | 5.51 | 6.36 | 7.12 | 7.79 | 8.42 | 9.00 | 10.06 |
| 9.5 | .078 | 0.95 | 1.50 | 2.38 | 3.36 | 3.68 | 3.97 | 4.25 | 4.75 | 5.20 | 5.82 | 6.72 | 7.51 | 8.23 | 8.89 | 9.50 | 10.62 |
| 10.0 | .080 | 1.00 | 1.58 | 2.50 | 3.54 | 3.87 | 4.18 | 4.47 | 5.00 | 5.48 | 6.12 | 7.07 | 7.91 | 8.66 | 9.35 | 10.00 | 11.18 |
| 11.0 | .083 | 1.10 | 1.74 | 2.75 | 3.89 | 4.26 | 4.60 | 4.92 | 5.50 | 6.02 | 6.74 | 7.78 | 8.70 | 9.53 | 10.29 | 11.00 | 12.30 |
| 12.0 | .087 | 1.20 | 1.90 | 3.00 | 4.24 | 4.65 | 5.02 | 5.37 | 6.00 | 6.57 | 7.35 | 8.49 | 9.49 | 10.39 | 11.22 | 12.00 | 13.42 |
| 12.5 | .089 | 1.25 | 1.98 | 3.13 | 4.42 | 4.84 | 5.23 | 5.59 | 6.25 | 6.85 | 7.65 | 8.84 | 9.88 | 10.83 | 11.69 | 12.50 | 13.98 |
| 13.0 | .091 | 1.30 | 2.06 | 3.25 | 4.60 | 5.03 | 5.44 | 5.81 | 6.50 | 7.12 | 7.96 | 9.19 | 10.28 | 11.26 | 12.16 | 13.00 | 14.53 |
| 14.0 | .093 | 1.40 | 2.21 | 3.50 | 4.95 | 5.42 | 5.86 | 6.26 | 7.00 | 7.67 | 8.57 | 9.90 | 11.07 | 12.12 | 13.10 | 14.00 | 15.65 |
| 15.0 | .096 | 1.50 | 2.37 | 3.75 | 5.30 | 5.81 | 6.27 | 6.71 | 7.50 | 8.22 | 9.19 | 10.61 | 11.86 | 12.99 | 14.03 | 15.00 | 16.77 |
| 20.0 | .109 | 2.00 | 3.16 | 5.00 | 7.07 | 7.75 | 8.37 | 8.94 | 10.00 | 10.95 | 12.25 | 14.14 | 15.81 | 17.32 | 18.71 | 20.00 | 22.36 |
| 25.0 | .125 | 2.50 | 3.95 | 6.25 | 8.84 | 9.68 | 10.46 | 11.18 | 12.50 | 13.69 | 15.31 | 17.68 | 19.76 | 21.65 | 23.39 | 25.00 | 27.95 |
| 30.0 | .141 | 3.00 | 4.74 | 7.50 | 10.61 | 11.62 | 12.55 | 13.42 | 15.00 | 16.43 | 18.37 | 21.12 | 23.72 | 25.98 | 28.06 | 30.00 | 33.54 |
| 40.0 | .156 | 4.00 | 6.32 | 10.00 | 14.14 | 15.49 | 16.73 | 17.89 | 20.00 | 21.91 | 24.49 | 28.28 | 31.62 | 34.64 | 37.42 | 40.00 | 44.72 |
| 50.0 | .172 | 5.00 | 7.91 | 12.50 | 17.68 | 19.36 | 20.92 | 22.36 | 25.00 | 27.39 | 30.62 | 35.36 | 39.53 | 43.30 | 46.77 | 50.00 | 55.90 |
| 60.0 | .188 | 6.00 | 9.49 | 15.00 | 21.21 | 23.24 | 25.10 | 26.83 | 30.00 | 32.96 | 36.74 | 42.43 | 47.43 | 51.96 | 56.12 | 60.00 | 67.08 |

