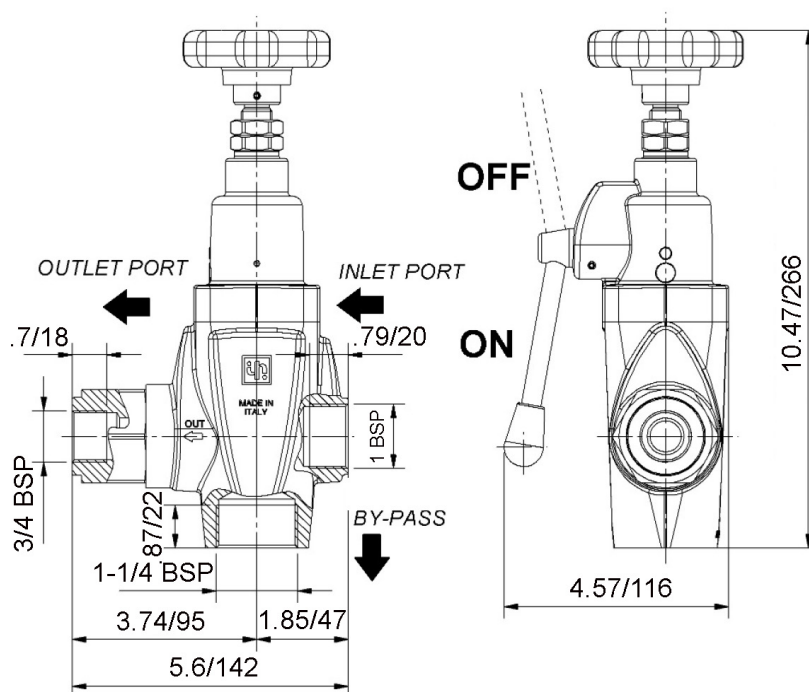


**FEATURES**

- Regulates the operating pressure of the system by releasing excess volume through the by-pass
- Protects the system from over pressurization
- Traps pressure after the valve while reducing pressure at the pump
- Lever activated

SPECIFICATIONS

Part Number		RA2L
Max Pressure		3,050 PSI
Max Flow		61.0 PSI
Max Temperature		185° F
Port Size	Inlet	1" BSP-F
	Outlet	3/4" BSP-F
	Bypass	1-1/4" BSP-F
Weight		11.7 lbs

DIMENSIONS

General Pump
is a member of
the Interpump Group



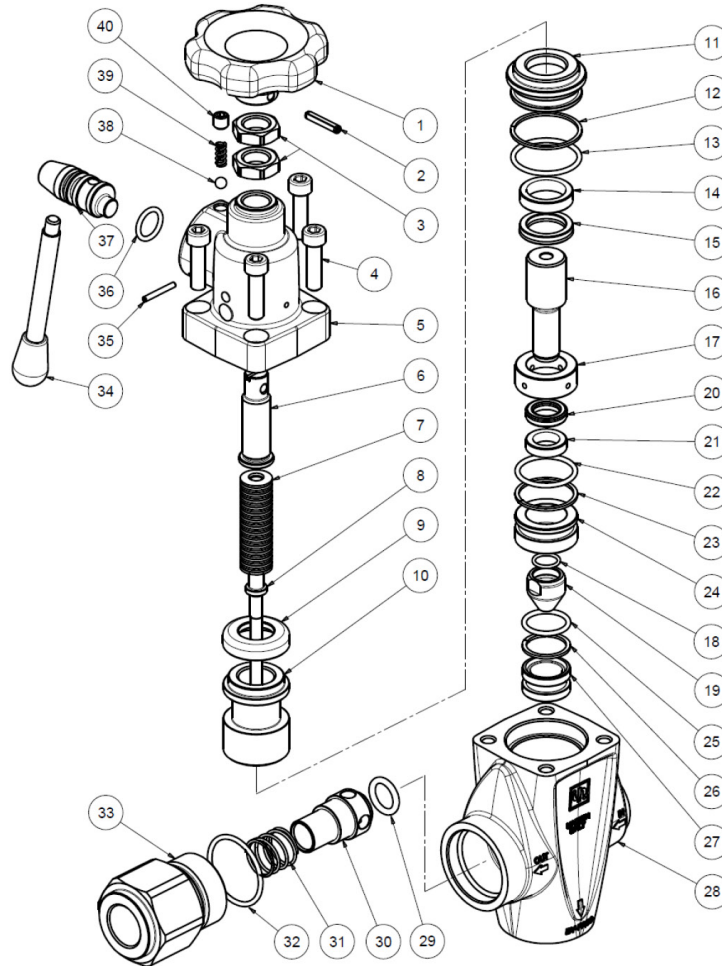
Ref 310075-Rev B
05-20



RA2L

Industrial Unloader

PARTS LIST

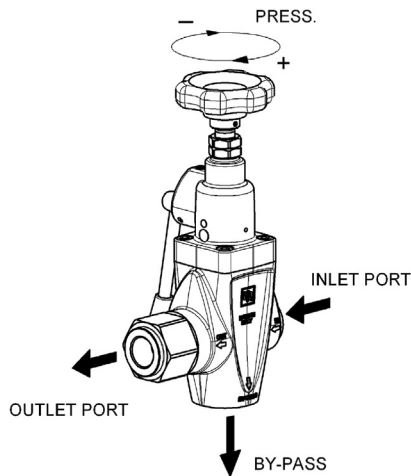


No.	Part No.	Description	Qty.
1	F36341302	Regulating Knob	1
2	F97674700	Pin, .5 x 24, Inox	1
3	F92256700	Nut, M16, 1.5	2
4	F99308400	Screw, Hex, M8 x 30	4
5	F36340741	Body, Upper	1
6	F36338964	Screw, Pressure Regulating	1
7	F94847000	Spring, .18 x 8.2 x 1.5	28
8	F36339066	Valve Rod	1
9	F36339182	Batting Ring	1
10	F36339264	Hoist for Lifting	1
11	F36339770	Bushing	1
12*	F90520000	Anti-extrusion Ring, 35.9 x 40, 1.5	1
13*	701126	O-ring, 34.6 x 2.62	1
14	F36339870	Guide Ring	1
15*	F90271400	Ring, 22 x 30 x 1.5 LP	1
16	F36339366	Piston Control	1
17	F36339482	Spacer	1
18*	F90261000	Ring, Spacer, Ø 15 x 23 x 6, LP	1
19	F36339970	Guide Ring	1
20*	90386500	O-ring, 29.82 x 2.62	1

No.	Part No.	Description	Qty.
21*	F90517750	Anti-extrusion Ring, 30.9 x 35 x 1.5	1
22	F36340070	Bushing	1
23*	701014	O-ring, 12.42 x 1.78	1
24*	F36339566	Ring	1
25*	F90385200	O-ring, 22.22 x 2.62	1
26*	F90514450	Anti-extrusion Ring, 22.5 x 27 x 1.5	1
27*	F36340166	Seat	1
28	F36341441	Body, Lower	1
29*	F90403500	O-ring, 15.47 x 3.53	1
30	F36340270	Shutter	1
31	F94750600	Spring, 21 x 19.5, INOX	1
32*	F90387500	O-ring, 37.77 x 2.62	1
33	F36340370	Nipple	1
34	F94540000	Handle	1
35	F97666700	Plug	1
36	F36338865	Pin	1
37	F90383500	O-ring, 15.08x2.62	1
38	F97477700	Ball, 1/4	1
39	F94731500	Spring	1
40	F99301500	Screw	1
*	F2132	Repair Kit	

Torque Specs	
4	14.75 ft. lbs (20 Nm)
19	11.06 ft. lbs (15 Nm)
33	202.83 ft. lbs (275 Nm)

INSTALLATION AND INSTRUCTIONS FOR USE



1. GENERAL INFORMATION

1.1 The **RA2L** lever activated unloader is a manually adjustable, pressure operated device, which, according to its setting, limits the pumps/system pressure by conveying the excess of water to the by-pass. Moreover, when the outlet flow is blocked, this device totally releases the flow, and keeps under pressure the portion of the system following the valve, while it reduces the pressure in the portion of the system preceding the valve

1.2 It is possible to cut in (ON) or to cut out (OFF) the adjusted pressure by shifting the control lever pos. 34 downwards or upwards respectively. Moreover, when the lever is up (OFF position), it is possible to start the pump at zero pressure, i.e. without the motor being under stress.

1.3 Since the **RA2L** valve is used in conjunction with a high pressure water pump/system, which shall be called hereafter only "system", installation and use must be suited to the type of system used and comply with the safety regulations in force in the country where the valve is used.

1.4 Before using the valve, make sure that the system to valve is used with is certified to comply with the relevant directives and/or regulations.

1.5 Before installing and using the valve for the first time, we suggest you check that it is undamaged and make sure that the rated features correspond to the required ones. If this is not the case, do not use the valve and contact the Customer Service Department.

1.6 In order to install the valve correctly, follow the instructions for the water inlet, outlet and by-pass connections, as stated in this manual and/or the valve itself.

2- PACKAGE

2.1- Packages must be handled in compliance with the instructions stated on the packages themselves and/or provided by the manufacturer.

2.2- In case the valve is not used immediately, it must be stored in its package and placed in areas which are not exposed to the weather and protected from excessive humidity and from direct sunlight. Moreover, it is advisable to place wooden pallets or other types of pallets between the package and the floor, in order to prevent the direct contact with the ground.

2.3- The package components must be disposed of in compliance with the relevant laws in force.

3. INSTRUCTIONS FOR PRESSURE SETTING

3.1 In order to obtain a correct adjustment and consequently a proper functioning of the valve, always make sure that, when working at the maximum pressure, the valve by-pass keeps releasing a quantity of water equal to 5% of the total flow rate. In case the flow rate at the by-pass is close to zero or exceeds 15% of the maximum flow rate, this could cause failure, early wear and result in situations of danger.

The positions mentioned in the following instructions refer to those shown in the parts list on page 2.

3.2 Connect the valve to the water system and follow these steps:

3.2.1 Loosen the nut (pos. 3).

3.2.2 Unscrew the knob (pos. 1) in order to completely release the springs.

3.2.3 Open the gun or the water control device and start the system. Make sure the air contained in it is fully ejected.

3.2.4 Keeping the gun or the water control device open, start adjusting the pressure by screwing down the knob (pos. 1). Alternate the adjusting operations with a few openings and closings of the gun or of the control device. When the desired pressure has been reached, open and close the gun/control device a few times again in order to stabilize the various components (seals, springs, etc.). Check the pressure valve again and correct if necessary.

3.2.5 Screw down the lower nut (pos. 3) up to contact with the body. Lock the two nuts (pos. 3) by tightening the upper nut to the lower nut.

3.2.6 In order to obtain working pressures lower than the maximum set pressure, unscrew the knob (pos. 1).

In case of doubts, do not hesitate to contact the GP Service Department.

IMPORTANT: During use, never exceed the maximum values of pressure, flow-rate and temperature as stated in this document and/or indicated on the valve.

4. WARNINGS

4.1 The installation and the setting of the maximum pressure must be made by qualified staff only, who must have the required skills to handle high pressure systems and be informed of the operating and safety instructions contained in this manual.

4.2 The installer must provide the ultimate consumer with the proper instructions for the correct use of the system the valve is used in connection with.

4.3 Use soft and filtered water only. In case of salt water and/or of water containing solid particles of a size exceeding 360µm, the internal components of the valve will be subject to quick wear; furthermore, this might compromise the correct functioning of the valve. Addition agents can be used in the water, provided that they are biodegradable and always complying with the regulations in force in the country where the valve is used.

4.4- Use guns and/or other control devices ensuring a perfect seal when closed. Leakages may compromise the correct functioning of the valve.

INSTRUCTIONS FOR USE (CONT.)



4.5 In the systems for hot water production, the temperature of the liquid that comes into contact with the valve must always be lower than the value stated in this instruction manual and/or indicated on the valve itself. **Avoid the formation of steam or overheated water.**



IMPORTANT: When the temperature of the liquid is close to the maximum value, the outside temperature of the valve body is only slightly lower. Therefore, take care in case of contact with the hot surface.

4.6 After use and/or before performing any operation on the system or on the valve, release the pressure by using the adjustment knob/screw and opening the gun or the control device for a few seconds. The jet created by the residual pressure must be directed downward in order to avoid damage or injury.

4.7 For safety reasons, it is advisable to equip the high pressure feeding line of the system also with a relief or safety valve duly adjusted.

4.8 To connect the valve to the system it is referable to use flexible hoses fitted in a way that they do not for 90° elbows, throttlings or siphons which could include harmful air bubbles. The inside diameters of the hoses and fittings must be equal to the correspondent inside diameters of the inlet, by-pass and outlet threads of the valve. Moreover, it is necessary to correctly choose the type of hose depending on the rated pressure and flow rate; the hoses must always be used within their operation limits as stated by the manufacturer and indicated on the hoses themselves.

4.9 Tighten the fittings as follows:

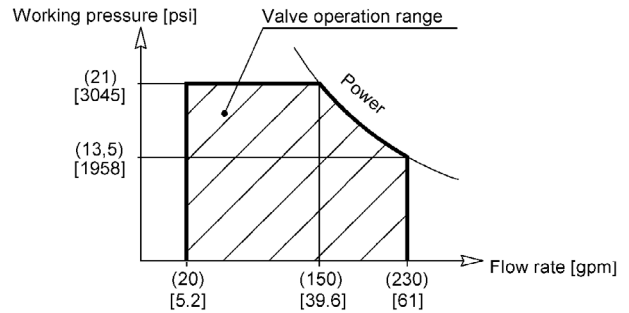
- G1" inlet fitting - torque wrench setting 147.5 Ft.lbs.(200 Nm)
- G3/4" outlet fitting - torque wrench setting 88.5 Ft.lbs.(120 Nm)
- G1-1/4" bypass fitting - torque wrench setting 221.3 Ft.lbs.(300 Nm)

In order to ensure the seal, fit a metal washer with a rubber ring between the fittings, or use a proper sealant on the thread.

4.10 Always connect the valve by-pass fitting to a hose, in order to avoid the excessive noise caused by the water outflow through the by-pass without hose.

4.11 Before operating the system, it is advisable to start it for a preliminary test run in order to check that the system is properly installed.

4.12 In order to optimize the pump/valve coupling, it is necessary to keep the valve operation, as a function of the pump pressure and flow rate, within a maximum power of 81.5 HP. As shown in the chart, this means using pumps producing a flow rate of approx. 39.6 GPM for maximum working pressures of 3045 PSI, and generating a pressure of approx. 1958 PSI for maximum flow rates of 60.7 GPM.



WARNING: Do not use the valve in the systems covered by Directive 97/23/CE (PED) - Cath

5. MAINTENANCE

5.1 Maintenance and repair must be carried out by qualified and authorized staff only. Before any operation, make sure that the valve and the system are shut down and made unusable.

5.2 A correct maintenance helps extend the working life and grants a better performance of the valve.

453 From time to time, it is necessary to check that the valve is clean outside, and that there is no sign of leakage and/or malfunctioning. If necessary, replace the involved parts. In case of doubts, contact GP's Customer Service Department.

5.4 Replace the valve parts with original spare parts only.



IMPORTANT: After maintenance, make sure that the valve is re-assembled correctly and that the initial conditions are restored. Comply with the torque wrench setting values and set the pressure again as described above.

4.5 The valve is entirely made of non-toxic and safe materials; however, in case of disposal, we suggest you do not dispose of it in the environment but take it to an authorized disposal center or contact the Customer Service Department.



The valve shall not be tampered with for any reason and/or used for any purpose other than the use it has been designed for. In case of tampering, the manufacturer disclaims all responsibility as to the valve functioning and safety.

6. WARRANTY CONDITIONS

6.1 The period and conditions of warranty are specified in the purchase contract.

6.2 Warranty is voided in case the valve is used for improper purposes, used at higher performances than the rated ones, repaired with non-original spare parts or if it turns out to be damaged due to the non-compliance with the operating instructions or to unauthorized tampering.

RA2L

Industrial Unloader

GENERAL PUMP *A member of the Interpump Group*

INSTRUCTIONS FOR USE (CONT.)

The valve should be mounted on the pressure line in any position (horizontal or vertical) which will allow easy access to the pressure adjusting screw. For proper operation the by-pass line internal diameter should be at least 1.25" at the narrowest point, and should not be connected directly to the pump inlet line (see below for correct installation).

