



FEATURES

3 way flow-through design, pneumatically-operated pressure regulator

- Regulates operating pressure of the system by releasing excess volume through the by-pass.
- Adjusted pressure can be set ON or OFF by means of the double-acting pneumatic cylinder.
- Allows off-load pump start up.
- Protects the system from overpressurization.
- Suitable for controlling several units at the same time.
- Suitable for automatic cycles and remote controls.

SPECIFICATIONS

Part Number	PN/RV2
Maximum Volume	48 GPM
Maximum Pressure	2900 PSI
Air Pressure	Minimum 90 PSI Maximum 115 PSI
Port Sizes: Inlet	1 – 11 BSPP
Outlet	3/4 – 14 BSPP
By-pass	1-1/4 – 11 BSPP
Inlet-Outlet Air Ports	1/4 – 19 BSPP
Weight	17.6 lb.
Material: Upper Valve Body	OT58 Brass
Lower Valve Body	OT58 Brass
Valve Seat	AISI 431 s.s.
Valve	AISI 420 s.s. with Stellite

WARRANTY

General Pump accessories are warranted by the manufacturer to be free from defects in material and workmanship. Period of warranty shall be 90 days from date product is received by the original buyer. Liability of manufacturer under the foregoing warranty is limited to **repair** or **replacement** at the option of manufacturer of that product which according to the manufacturer's investigation was deemed defective at time of shipment. Damage resulting from neglect, abuse, tampering or misapplication voids this warranty. This warranty is in lieu of all other warranties, expressed or implied, including any warranty of merchantability and/or any and all other obligations or liabilities on the part of the manufacturer.

PN/RV2 REGULATING VALVE

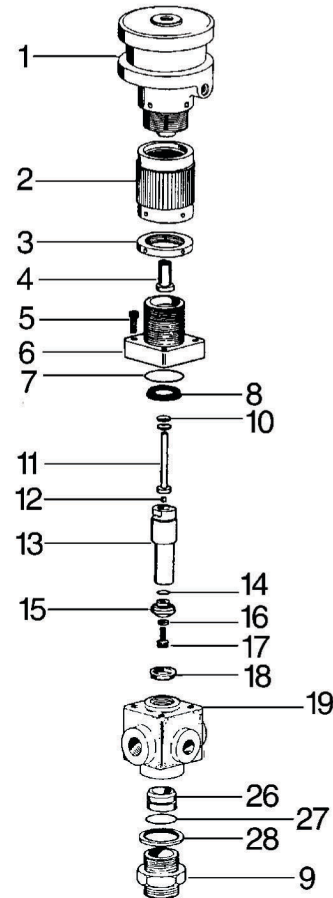
GENERAL PUMP INDUSTRIAL

A member of the Interpump Group

PARTS LIST

Pos.	Part Number	Description	Qty.
1	F005300000	Cylinder, Pneumatic	1
2	F070000000	Knob, Adjusting	1
3	F033000010	Nut, Lock	1
4	F074200050	Sleeve, Spring	1
5	F871121306	Screw, Cap, Socket Head, M8 x 35	4
6	F062300110	Cover, Valve	1
7	F881010121	O-Ring, 1.737 x .103, Buna-N	1
8	F881030014	Packing, 32 mm, Buna-N	1
9	F084300010	Nipple, Bypass, Brass OT58	1
10	F872110202	Spring, Disc, .323 x .709 x .059	32
11	F025000000	Support, Spring, Steel	1
12	F811900007	Ball, .312, SS AISI 420	1
13	F074200030	Piston, SS AISI 420	1
14	F881010008	O-Ring, .739 x .070, Buna-N	1
15	F083200010	Ball, Piston, SS AISI 420	1
16	F872040100	Washer, Lock, M8, Copper	1
17	F871121603	Screw, Cap, Socket Head, M8 x 20, SST	1
18	F881030011	Packing, 25 mm, Buna-N	1
19	F060300030	Body, Valve	1
26	F081200170	Seat, Valve	1
27	F881010117	O-Ring, 1.300 x .103, Buna-N	1
28	F881110104	Washer, 1.25", Buna-N on Steel Frame	1

Positions Included	N. PCS.	PN/RV2
7, 8, 14, 15, 16, 17, 18 26, 27, 28	1	F627



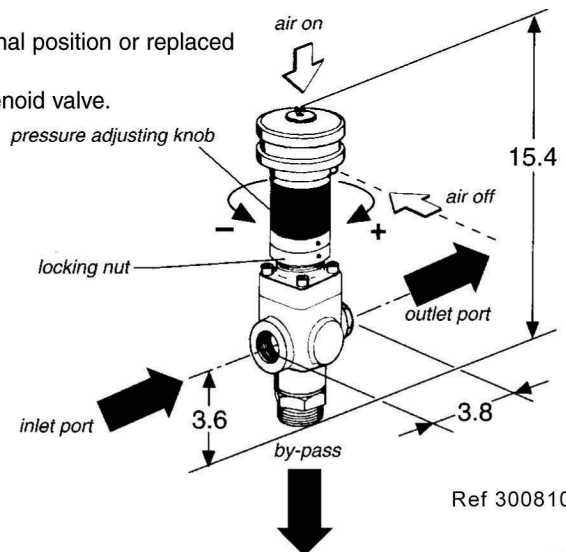
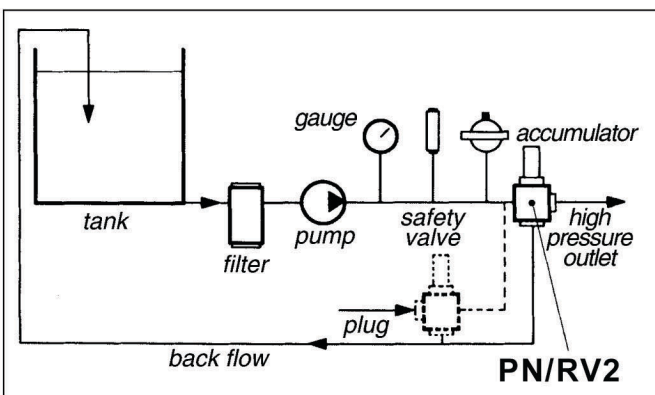
INSTALLATION

The PN/RV2 valve can be mounted on the pressure line (T joint installation is also allowed by closing the outlet port) in any position, horizontal or vertical, which will allow easy access to the pressure adjusting knob.

The by-pass line should be free from any kind of restriction which may generate back pressures at the valve, should have an internal diameter of at least 1.5 inches at the narrowest point, and should not be connected to the pump suction line – see scheme for correct installation.

The nipple pos. 9 and washer pos. 28 should not be removed from their original position or replaced with other than genuine General Pump replacement parts.

The pneumatic cylinder requires air pressure at 90-115 PSI and a 5-way solenoid valve.



Ref 300810 Rev. B
07-05

