

FEATURES

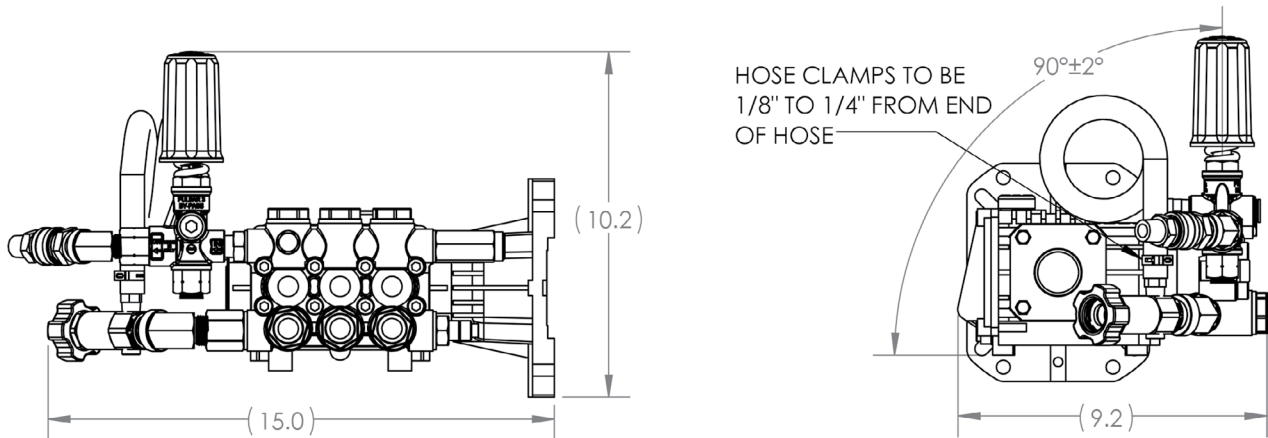
- Pump is ready to use right out of the box
- EZ4040G Pump with SAE J609 Gas Flange
- PULSAR4KHPEZ Unloader, 4050 PSI, 10 GPM
- 3/8" Quick Coupler and 3/8" Plug Included
- 3/4" Garden Hose Inlet Fitting with 1/4" Side Port
- 3/8" Hose Barb and Clamp Keeps Hose Secure and Sealed
- General Pump recommends installing a secondary relief and pressure gauge



SPECIFICATIONS

Pump Model	PMREZ4040G-2
Maximum Volume	4.0 GPM
Maximum Discharge Pressure	4000 PSI
Maximum Pump Speed	3400 RPM
Maximum Inlet Pressure	125 PSI
Maximum Inlet Vacuum	3 ft. water (2.6 in. Hg)
Plunger Bore	.512 in. / 13 mm
Plunger Stroke	.512 in. / 13 mm
Crankcase Oil Capacity	14.0 oz.
Maximum Fluid Temperature	165° F
Shaft Diameter	1.0 in. / 25.4 mm
Weight	20 lbs.
Dimensions	8.8" x 9.7" x 6.5"

DIMENSIONAL DRAWING



General Pump
is a member of
the Interpump Group

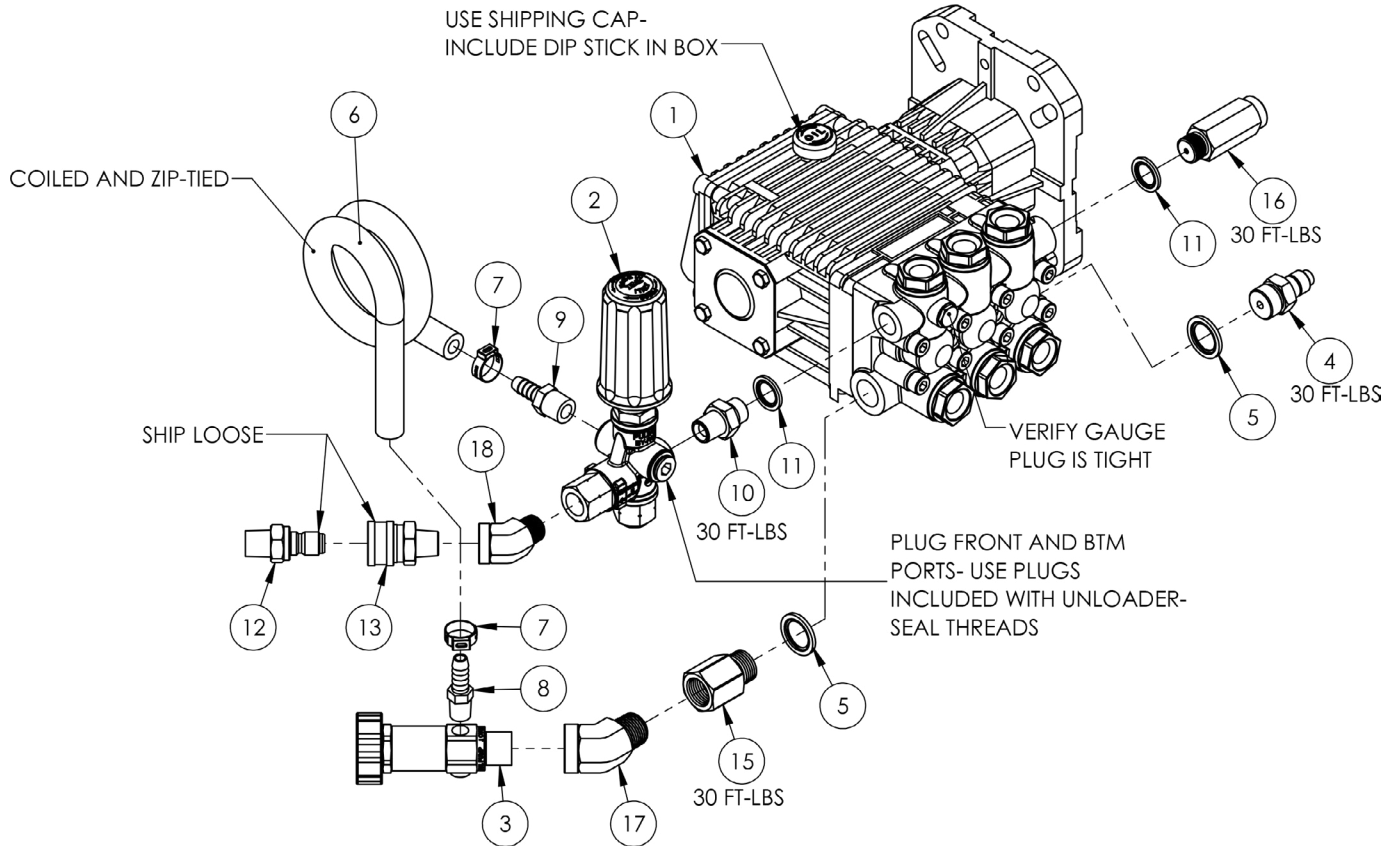


Ref 301071 Rev. A
05-21



PMREZ4040G-2

GENERAL PUMP *A member of the Interpump Group*



PARTS LIST

Item No.	Part No.	Description	QTY.
1.	EZ4040G	Pump, SER 44, 4000 PSI, 4 GPM, EZ, 3400 RPM, Gas Flange	1
2.	PULSAR4KHPEZ	Unloader, T.P., 4050 PSI, 10.5 GPM, EZ Start	1
3.	680651WO	Inlet Fitting Assy, Long, 1/2" NPT, 1/4" Port, Capped	1
4.	210612MB	Valve, PTP 1/2" BSPP-M, 140-151 DEG, 145 PSI	1
5.	680110	Seal Ring, 1/2" BSPP	2
6.	639387	Hose, 3/8" ID, 250 PSI	2
7.	639897	Hose Clamp, Crimp, 39/64" to 47/64", 9/32"	2
8.	638147	3/8" Hose Barb x 1/4" NPT	1
9.	638148	3/8" Hose Barb x 3/8" NPT	1
10.	639298	Adapter, Hex 3/8" BSPP-M x 3/8" NPT-M, Plated Steel	1
11.	680029	Washer, Face Seal, 3/8" BSPP	2
12.	D10079	Plug, 3/8" QC x 3/8" NPT-M, Stainless Steel	1
13.	D10075	Coupler, 3/8" QC x 3/8" NPT-M, Stainless Steel	1
14.	400128	Prop 65 Warning Label	1
15.	639385	Fitting, 1/2" NPT-f x 1/2" BSPP	1
16.	10113648	Assy., SRV, 3/8" BSPP-M, End Discharge, Preset 4800 PSI	1
17.	680020	Elbow, 45 Degree Street, 1/2" NPT, Steel	1
18.	680021	Elbow, 45 Degree Streer, 3/8" NPT, Steel	1

WARNINGS

WARNING: High Pressure Systems require a primary pressure regulating device (i.e. regulator, unloader) and a secondary pressure relief device (i.e. pop-off valve, relief valve). Failure to install such relief devices properly could result in personal injury or damage to pump or property. GP does not assume any liability or responsibility for the operation of the user's high pressure system.



During use, never exceed the maximum values of pressure, flow rate and temperature as stated in this document.



Maintenance and repair must be carried out by qualified and authorized staff only. Replace the filter parts with original spare parts only.



From time to time, it is necessary to check that the parts which are under pressure do not show cracks and/or leakages; the frequency of this check depends on the actual use. Inspect and clean the screen regularly.