

FEATURES

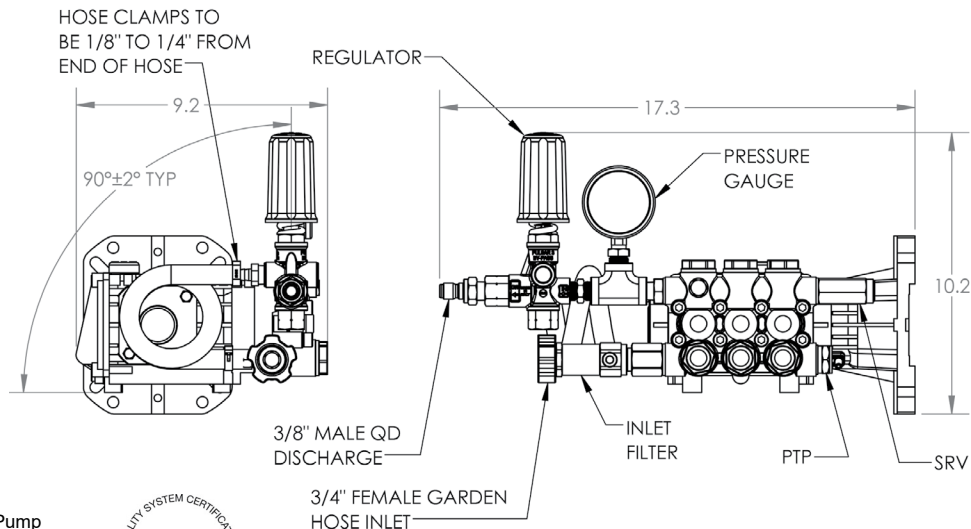
- Pump is ready to use right out of the box
- EZ4040G Pump with SAE J609 Gas Flange
- PULSAR4KHPEZ Unloader, 4050 PSI, 10 GPM
- 3/8" Quick Coupler and 3/8" Plug Included
- 3/4" Garden Hose Inlet Fitting with 1/4" Side Port
- 3/8" Hose Barb and Clamp Keeps Hose Secure and Sealed
- Pressure gauge included
- General Pump recommends installing a secondary relief



SPECIFICATIONS

Pump Model	PMREZ4040G-1
Maximum Volume	4.0 GPM
Maximum Discharge Pressure	4000 PSI
Maximum Pump Speed	3400 RPM
Maximum Inlet Pressure	125 PSI
Maximum Inlet Vacuum	3 ft. water (2.6 in. Hg)
Plunger Bore	.512 in. / 13 mm
Plunger Stroke	.512 in. / 13 mm
Crankcase Oil Capacity	14.0 oz.
Maximum Fluid Temperature	165° F
Inlet Port Thread	1/2-14 BSPP-F
Discharge Port Thread	3/8-19 BSPP-F
Shaft Diameter	1.0 in. / 25.4 mm
Weight	20 lbs.
Dimensions	8.8" x 9.7" x 6.5"

DIMENSIONAL DRAWING

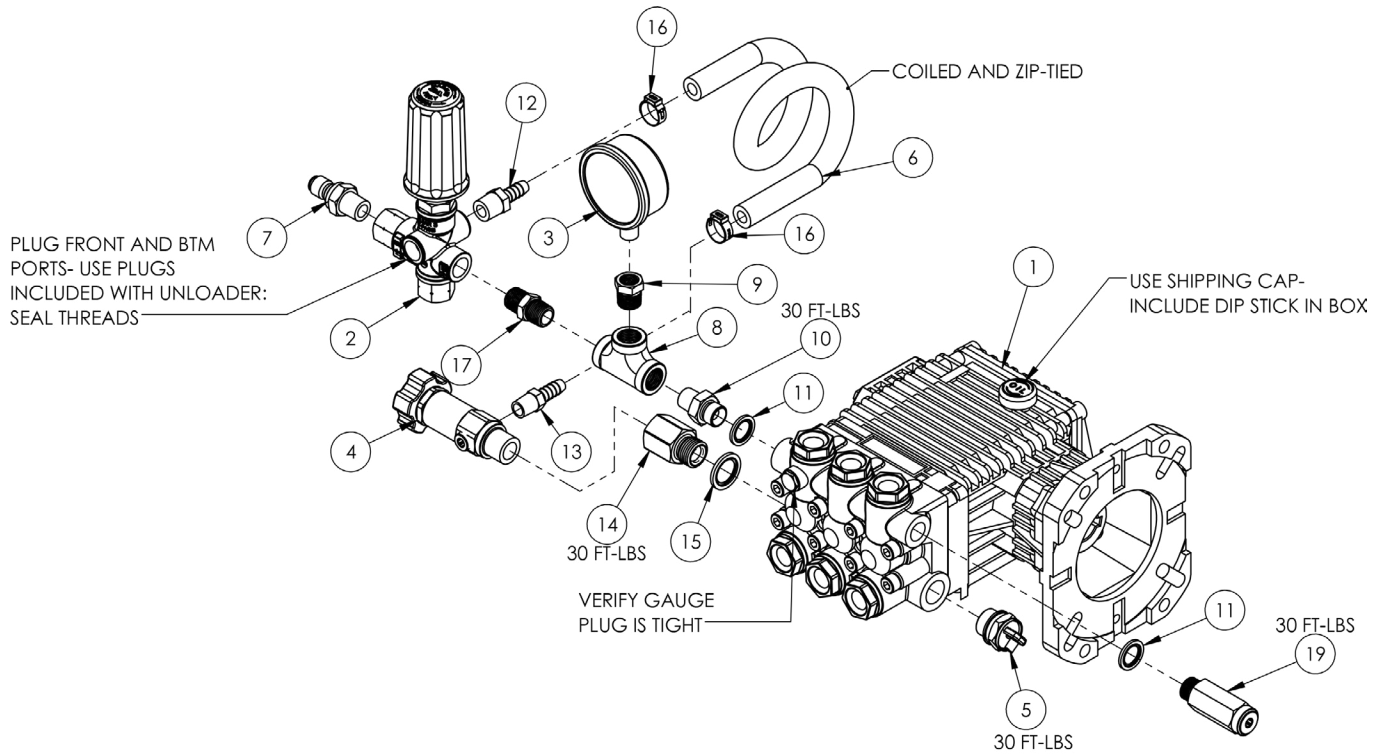


General Pump
is a member of
the Interpump Group



Ref 301070 Rev. A
05-21





PARTS LIST

Item No.	Part No.	Description	QTY.
1.	EZ4040G	Pump, SER 44, 4000 PSI, 4 GPM, EZ, 3400 RPM, Gas Flange	1
2.	PULSAR4KHPEZ	Unloader, T.P., 4050 PSI, 10.5 GPM, EZ Start	1
3.	320003	Pressure Gauge, 0-5000 PSI, 1/4" NPT-M	1
4.	100651WO	Assy., Inlet Filter, 1/2" NPT, Dual Bypass	1
5.	100846	Assy., PTP, 1/2" BSPP	1
6.	639387	Hose, 3/8" ID, 250 PSI	1
7.	D11009	Plug, 3/8 QC x 3/8" NPT, Zinc Plated Steel	1
8.	638117	Tee, Female 3/8" NPT, Steel	1
9.	638134	3/8" x 1/4" NPT Reducer	1
10.	639298	Adapter, Hex, 3/8" BSPP-M x 3/8" NPT-M, Plated Steel	1
11.	680029	Washer, Face Seal, 3/8" BSPP	2
12.	638148	3/8" Hose Barb x 3/8" NPT	1
13.	638147	3/8" Hose Barb x 1/4" NPT	1
14.	639385	Fitting, 1/2" NPT-F x 1/2" BSPP	1
15.	680110	Seal Ring, 1/2" BSPP	1
16.	639897	Hose Clamp, Crimp Type, 39/64" to 47/64", 9/32" WD	2
17.	D10052	Nipple, 3/8" NPT, Steel, Zinc Plated, 5000 PSI	1
18.	400128	Prop 650 Warning Label	1
19.	10113648	Assy., SRV, 3/8" BSPP-M, End Discharge, Preset 4800 PSI	1

WARNINGS

WARNING: High Pressure Systems require a primary pressure regulating device (i.e. regulator, unloader) and a secondary pressure relief device (i.e. pop-off valve, relief valve). Failure to install such relief devices properly could result in personal injury or damage to pump or property. GP does not assume any liability or responsibility for the operation of the user's high pressure system.



During use, never exceed the maximum values of pressure, flow rate and temperature as stated in this document.



Maintenance and repair must be carried out by qualified and authorized staff only. Replace the filter parts with original spare parts only.



From time to time, it is necessary to check that the parts which are under pressure do not show cracks and/or leakages; the frequency of this check depends on the actual use. Inspect and clean the screen regularly.



WARNING: This product can expose you to chemicals, including lead, which is known to the state of California to cause cancer and birth defects or other reproductive harm. For more information, go to www.P65Warnings.ca.gov