

MW32/S36/S40 Series

FEATURES

- “HR” anti-corrosion surface treatment on manifold is at least 30 times more corrosion resistant with salt water mist.
- High pressure, Triplex Plunger Pump, available in 3 flows
- Low-high pressure packing design with integrated cooling system
- Vertically fitted suction/delivery valves featuring new spherical design of sealing areas
- Splash lubrication
- External gear box
- Includes drain/priming valve
- F2152 kit allows for easy adaptation to MSS mounting pattern
- Gear ratios: 1500 RPM=1.876:1, 1800 RPM=2.238:1, 2200=2.722:1, 2600=3.25:1
- “HR” manifold on pumps with serial numbers 19120011 or later



MATERIALS

- Pump body in cast iron
- Manifold made of spheroidal cast iron
- Forged steel connecting rods with antifriction bearings
- Crankshaft made of nitrited, hardened and tempered alloy steel
- Light alloy plunger guides, nickel treated
- Solid ceramic plungers
- Stainless steel valves

Product Group: V

COMMON SPECIFICATIONS

- Maximum Inlet Pressure: 45 PSI
- Maximum Fluid Temperature: *140° F
- Inlet Port Thread: 2” NPT-F
- Discharge Port Thread: 1” NPT-F
- Shaft Diameter (w/gearbox): 1.969”/50 mm
- Shaft Diameter without gearbox: 3.149”/80 mm
- Stroke: 2.756”/70 mm
- Pump Dimensions: 29.5” x 23” x 14.5”
- Crankcase Oil Capacity: 304.3 oz. (9 liters)
 (use GP Series 220 Oil)
- Shipping Weight: 540 lbs./244 kg

*Please consult technical guide or GP Sales Representative for Temperature/Inlet Pressure Information.

Note: All models come standard with crankshaft on right side (when facing manifold), specify “L” after part number when ordering left hand version.

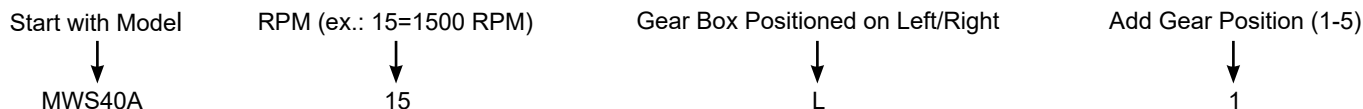
For continuous duty applications please contact General Pump Sales Personnel.

MODEL	GPM/LPM	PSI/BAR	RPM	BORE	HP
MW32A	36.9 GPM/135 LPM	4350 PSI/300 BAR	1500/1800/2200	1.259 in./32 mm	105.0
MWS36A	45.2 GPM/171 LPM	3900 PSI/269 BAR	1500/1800/2200	1.417 in./36 mm	107.0
MWS40A	55.7 GPM/211 LPM	3050 PSI/210 BAR	1500/1800/2200	1.575 in./40 mm	104.0

Volumes are theoretical at 100% volumetric efficiency.

How to order/Examples of Part Numbers:

When ordering with gear box:



So the Part Number in the Above Example: **MWS40A15L1**
 (Model is MWS40A, with an RPM of 1500, gear box positioned on left side of pump, in the first position.)

PUMP OPTIONS

- “F” version features flushing option
- “N” version available with duplex F51 Stainless Steel manifold and 17-4 SS valves
- “R” version suitable for recycled water and run dry applications (available for MWS40A only, Max Temp 185° F)
- Available with or without gear box
- SAE-J 744-C hollow shaft P.T.O. for direct mount hydraulic drive available

ACCESSORIES

REGULATORS

■ R2

61.0 GPM
3050 PSI



■ RV3

53.0-132.0 GPM
4350-6500 PSI



■ PNR2

61.0 GPM
3050 PSI



■ PN3

79.0-132.0 GPM
2350-4350 PSI



GUNS / LANCES

■ ZP87SSL19/39/19S/39S

15.85 GPM
8700 PSI



■ YG7221/L31-YG7221/51

21.0 GPM
7250 PSI



■ YRL56L

8.0 GPM
5650 PSI



SAFETY DEVICES

■ SV2

50.0 GPM
1450-8700PSI



■ SV3

132 GPM
1450-4350 PSI



■ A7

43.0 GPM
3050PSI



■ A7S

43.0 GPM
4750PSI



■ A15

105.6 GPM
4750 PSI



UNLOADERS

■ RA2

61.0 GPM
3050 PSI



■ YBRV5325

53.0 GPM
2900 PSI



■ PN2

61.0 GPM
7250 PSI



MISCELLANEOUS

■ 320001/
320003

3000/5000 PSI
Pressure
Gauge



■ 190600

Priming
Drain
Valve Kit



■ 639273

55.0 GPM
50/297 Mesh/
Micron
Filter



■ 190448

Oil Drain Kit



■ F2152

Rails for
MSS Footprint

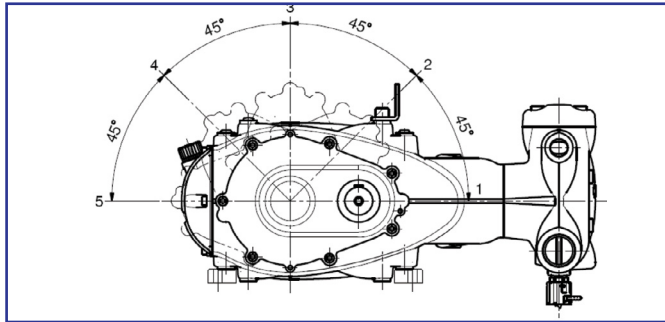


MW32/S36/S40 series

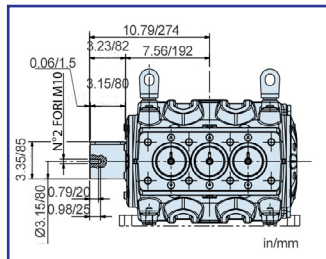
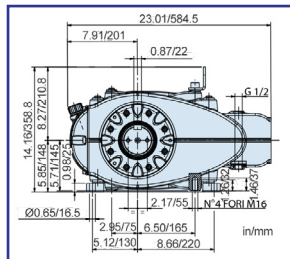
Technical Details




DRIVE OPTIONS

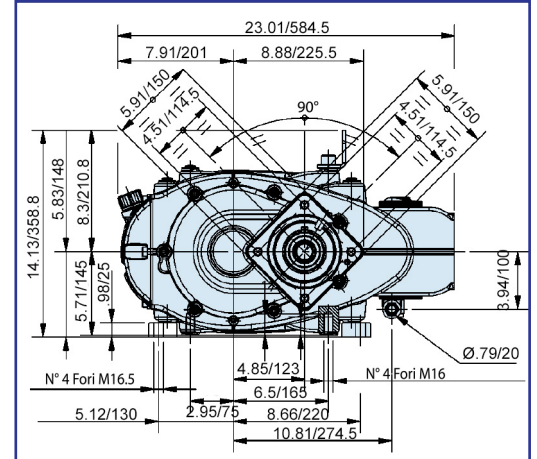
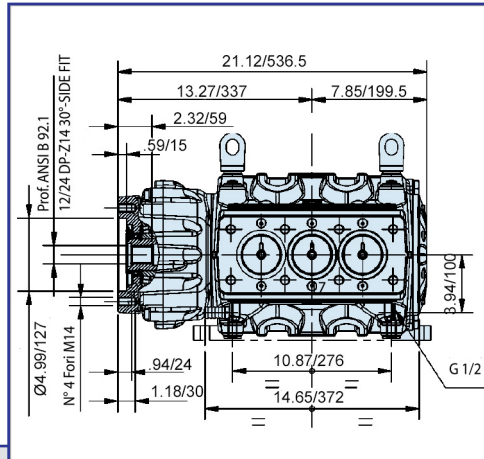


- L** Gear box on the left side
- R** Gear box on the right side
- L1** Gear box is shown in position L1 (left side, 0° angle)

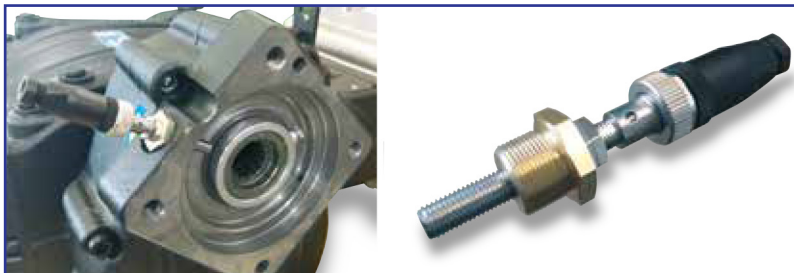


Direct drive without gearbox 800 RPM

	1:1,87	1:2,24	1:2,72
r.p.m.	1500	1800	2200



**SAE J744-C Spline Shaft
14T 12/24 DP Hydraulic
Motor Mount**



ZRPM1 RPM Counter

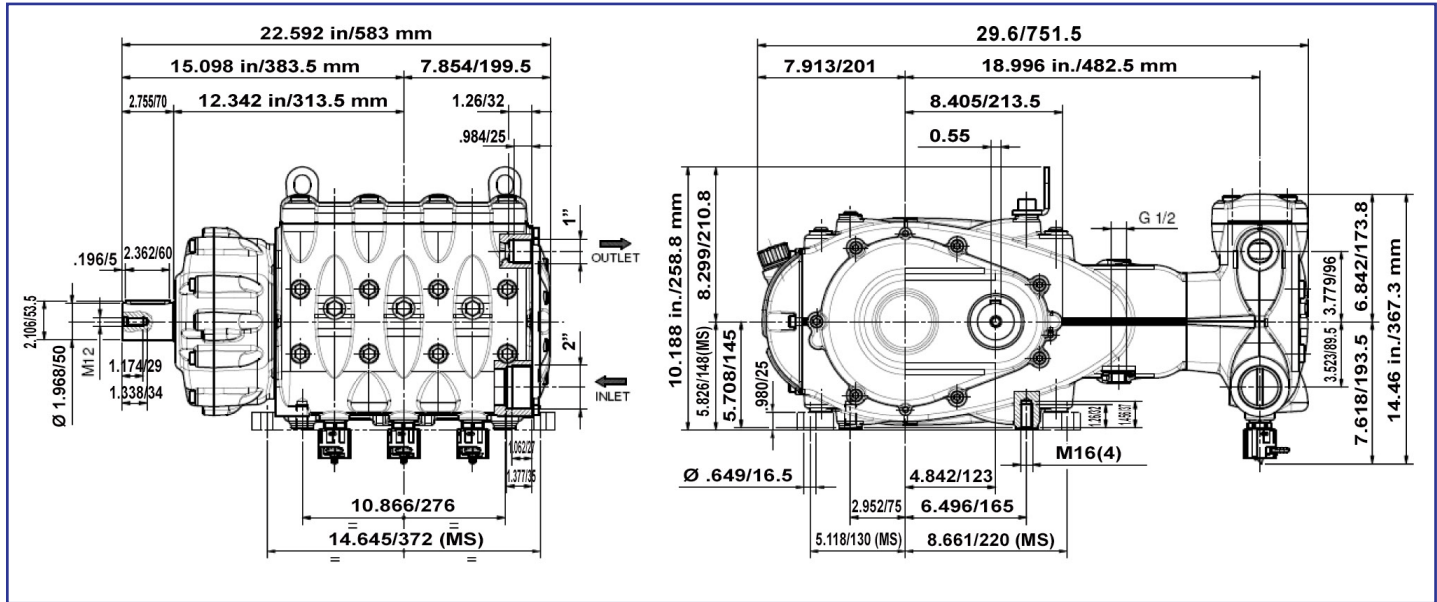
Inductive proximity sensor, c/w female connector M12 4 pin, IP67, field attachable, ring nut reduction M18 x 1. Power Supply: 12/24 VDC

MW32/S36/S40 series

Technical Details



OVERALL DIMENSIONS



NOTE: Pump Includes (3) F200030170 Priming/Drain Valves