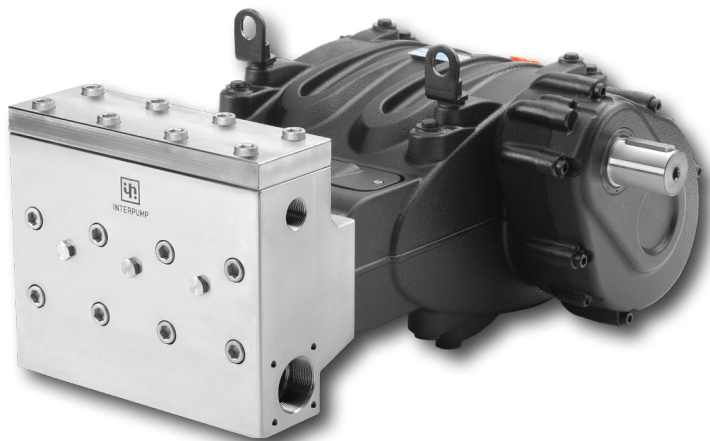


MWN45/50/55 Series

FEATURES

- High pressure, Triplex Plunger Pump, available in 3 flows
- Low-high pressure packing design with integrated cooling system
- Orthogonally arranged suction/delivery valves
- Splash lubrication
- External gear box positionable on left or right side of pump
- Optional drain/priming valve kit, included
- Gear ratios: 1500 RPM=1.875:1, 1800 RPM=2.238:1, 2200 RPM=2.722:1
- Suitable for sea water applications



COMMON SPECIFICATIONS

- Maximum Inlet Pressure: 45 PSI
- Maximum Fluid Temperature:..... *140° F
- Inlet Port Thread: 2-1/2" G-F
- Discharge Port Thread: 1-1/4" G-F
- Shaft Diameter (w/gearbox): 1.969"/50 mm
- Shaft Diameter with out gearbox: 3.149"/80 mm
- Stroke: 2.756"/70 mm
- Pump Dimensions: 29.5" x 23" x 14.5"
- Crankcase Oil Capacity:..... 304.3 oz. (9 liters)
..... (use GP Series 220 Oil)
- Shipping Weight: 540 lbs./244 kg

*Please consult technical guide or GP Sales Representative for Temperature/Inlet Pressure Information.

MATERIALS

- Pump body in cast iron
- Manifold made of duplex 51 SS, block style
- Self-adjusting shaft bearings with double roller rim
- Forged steel connecting rods with antifriction bearings
- Crankshaft made of nitrited, hardened and tempered alloy steel
- Light alloy plunger guides, nickel treated
- Solid ceramic plungers
- 17-4 Stainless steel valves
- 316 Stainless Steel packing components

Product Group: V

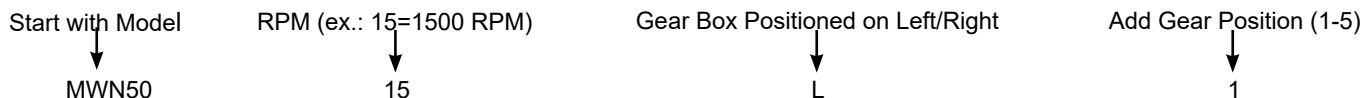
Note: All models come standard with crankshaft on right side (when facing manifold), specify "L" when ordering left hand version.

MODEL	GPM/LPM	PSI/BAR	RPM	BORE	HP
MWN45	71 GPM/269 LPM	2250 PSI/155 BAR	1500/1800/2200 RPM	1.771 in./45 mm	109.0
MWN50	87.5 GPM/333 LPM	1800 PSI/125 BAR	1500/1800/2200 RPM	1.968 in./50 mm	108.0
MWN55	106 GPM/402 LPM	1450 PSI/100 BAR	1500/1800/2200 RPM	2.165 in./55 mm	104.0

Volumes are theoretical at 100% volumetric efficiency.

How to order/Examples of Part Numbers:

When ordering with gear box:



So the Part Number in the Above Example: **MWN5015L1**
 (Model is MWN50, with an RPM of 1500, gear box positioned on left side of pump, in the first position.)

PUMP OPTIONS

- "F" version features flushing option
- "R" version suitable for recycled water and run dry (Max Temp 185° F)
- Available with or without gearbox
- SAE-J 744-C hollow shaft P.T.O. for direct mount hydraulic drive available

ACCESSORIES

REGULATORS

■ R1X

18.5-29.0 GPM
2900-8700 PSI
316 SS



SAFETY DEVICES

■ SX2

50.0 GPM
1450-5899 PSI



UNLOADERS

■ YVB280SS

21.0 GPM
4500 PSI



■ RX3

120.0-132.0 GPM
1450-4350 PSI
Stainless Steel



■ SX3

132.0 GPM
2900-4350 PSI



PULSATION DAMPENERS

■ YVS280SS

21.0 GPM
4500 PSI



■ A7X

16.0 GPM
3050 PSI
316 SS

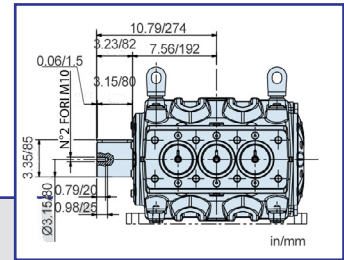
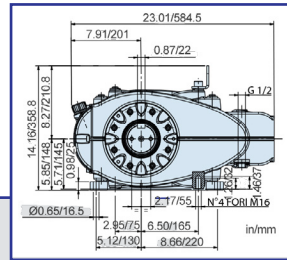
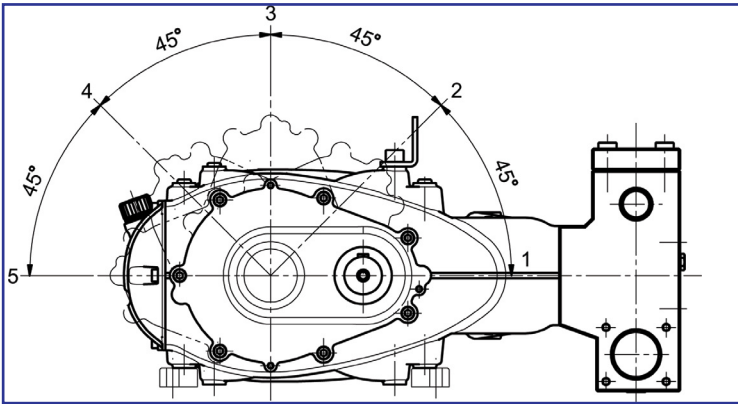


■ A15X

105.6 GPM
2150 PSI
316 SS

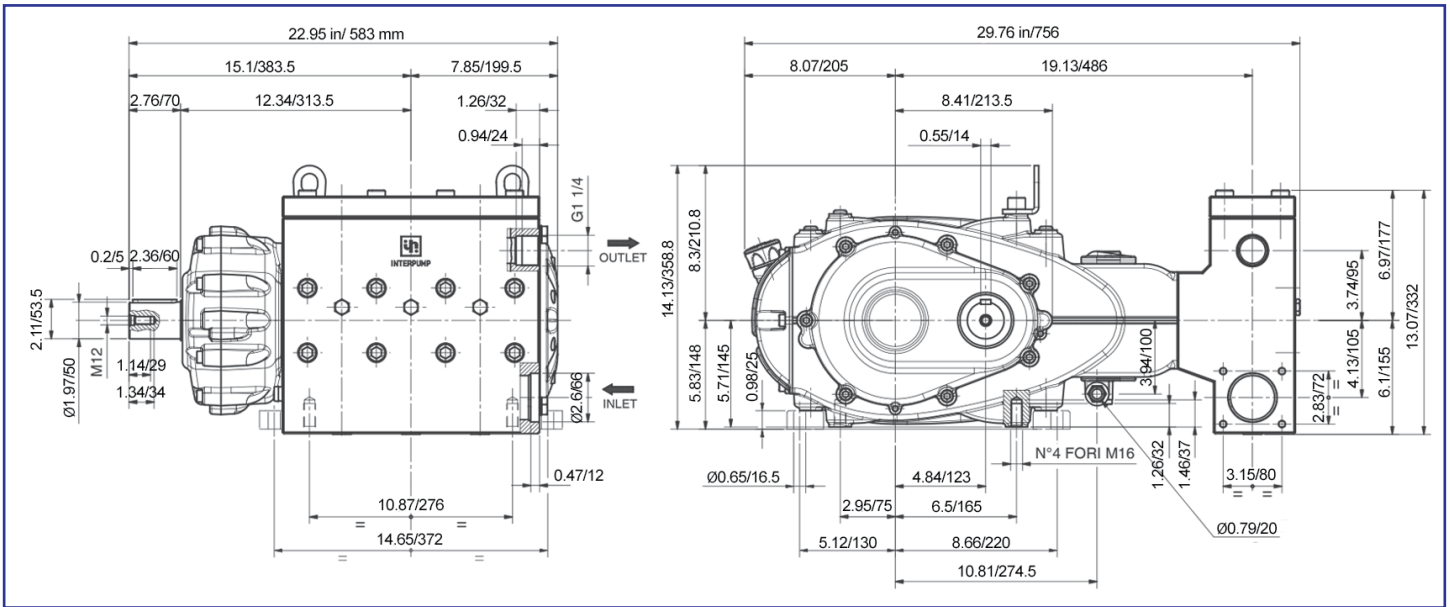


DRIVE OPTIONS

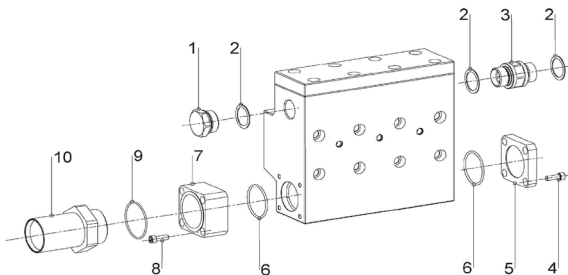


Direct drive without gearbox 800 RPM

OVERALL DIMENSIONS



FITTINGS



Item	P/N	Description	Kit	Kit Qty.
1	F084200160	1-1/4" G Plug	A	1
2	F030300090	1-1/4" Seal Ring	A-B	1-2
3	F084200190	1-1/4" G Nipple	B	1
4	F871125606	Screw, M10 x 30	C	4
5	F063200130	Inlet Flange	C	1
6	F881011253	O-ring, 72 x 4	C - D	1
7	F073200070	Mounting Block	D	1
8	F871125612	Screw, M10 x 60	D	4
9	F881011170	O-ring, 80 x 3	E	1
10	F073200080	Hose Fitting, 76 mm	E	1

KIT	CODE	KIT	CODE
F1173	A	F1176	D
F1174	B	F1177	E
F1175	C		