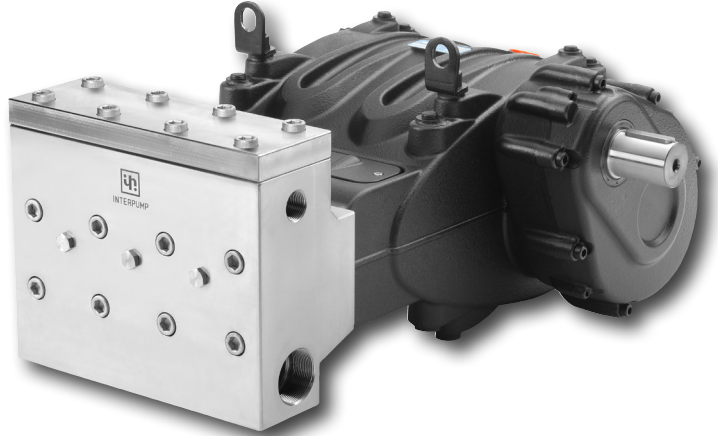


MWN32/36/40 Series

FEATURES

- High pressure, Triplex Plunger pump, available in 3 flows
- Low-high pressure packing design with integrated cooling system
- Vertically fitted suction/delivery valves
- Splash lubrication
- External gear box
- Optional drain/priming valve kit included
- Gear ratios: 1500 RPM=1.875:1, 1800 RPM=2.238:1, 2200 RPM=2.722:1



COMMON SPECIFICATIONS

- Maximum Inlet Pressure: 45 PSI
- Maximum Fluid Temperature: *140° F
- Inlet Port Thread:2" G-F
- Discharge Port Thread: 1" G-F
- Shaft Diameter: 1.969"/50 mm
- Shaft Diameter without gearbox: 3.149"/80 mm
- Stroke: 2.756"/70 mm
- Pump Dimensions: 29.5" x 23" x 14.5"
- Crankcase Oil Capacity, with gearbox: 304.35 oz. (9 liters)
- Shipping Weight: 540 lbs./245 kg

*Please consult technical guide or GP Sales Representative for Temperature/Inlet Pressure Information.

MATERIALS

- Pump body in cast iron
- Manifold made of duplex 51 SS, Block style
- Self-adjusting shaft bearings with double roller rim
- Forged steel connecting rods with anti-friction bearings
- crankshaft made of nitrited, hardened and tempered alloy steel
- Light alloy plunger guides, nickel treated
- Solid ceramic plungers
- 17-4 Stainless Steel valves
- 316 Stainless Steel packing components

Product Group: V

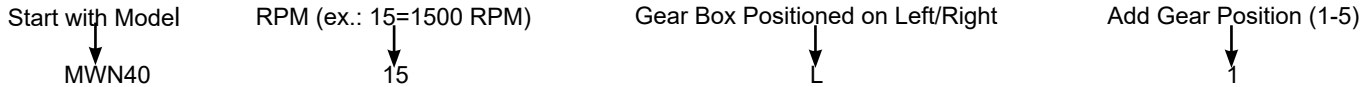
Note: All models come standard with crankshaft on right side (when facing manifold), specify "L" when ordering left hand version.

MODEL	GPM/LPM	PSI/BAR	RPM	BORE	HP
MWN32	36 GPM/136 LPM	4350 PSI/300 BAR	1500/1800/2200 RPM	1.259 in./32 mm	106.0
MWN36	45.5 GPM/172 LPM	3500 PSI/240 BAR	1500/1800/2200 RPM	1.417 in./36 mm	108.0
MWN40	56 GPM/213 LPM	2750 PSI/190 BAR	1500/1800/2200 RPM	1.575 in./40 mm	105.0

Volumes are theoretical at 100% volumetric efficiency.

How to order/Examples of Part Numbers:

When ordering with gear box:



So the Part Number in the Above Example: **MWN4015L1**
 (Model is MWN40, with an RPM of 1500, gear box positioned on left side of pump, in the first position.)

PUMP OPTIONS

- "F" version features flushing option
- "R" version suitable for recycled water and run dry (Max Temp 185° F)
- Available with or without gearbox
- SAE-J 744-C hollow shaft P.T.O. for direct mount hydraulic drive available

ACCESSORIES

REGULATORS

■ R1X

18.5-29.0 GPM
2900-8700 PSI
316 SS



■ RX3

120.0-132.0 GPM
1450-4350 PSI
Stainless Steel



■ YVS280SS

21.0 GPM
4500 PSI



SAFETY DEVICES

■ SX2

50.0 GPM
1450-5899 PSI



■ SX3

132.0 GPM
2900-4350 PSI



PULSATION DAMPENERS

■ A7X

16.0 GPM
3050 PSI
316 SS



■ A15X

105.6 GPM
2150 PSI
316 SS



UNLOADERS

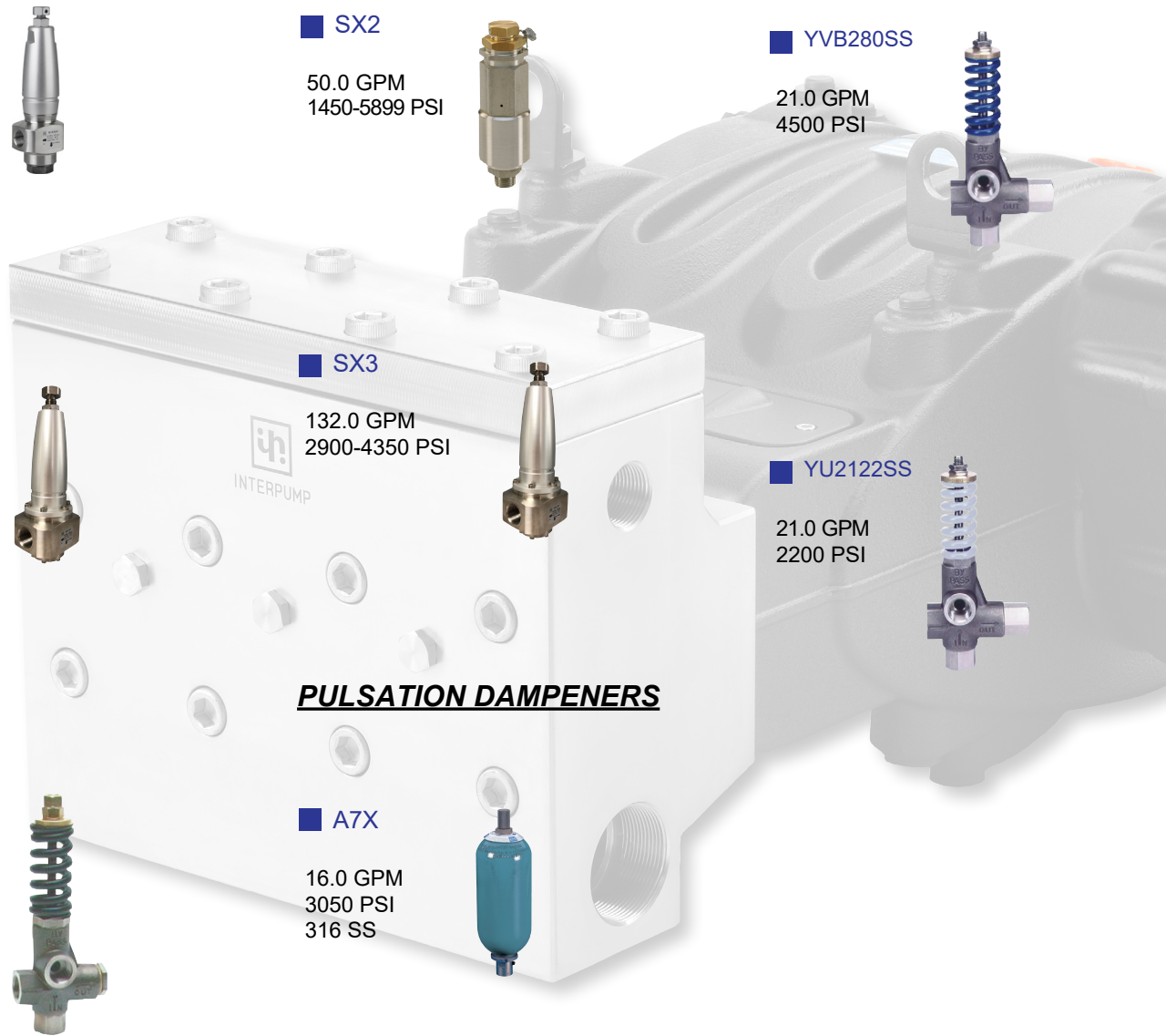
■ YVB280SS

21.0 GPM
4500 PSI



■ YU2122SS

21.0 GPM
2200 PSI

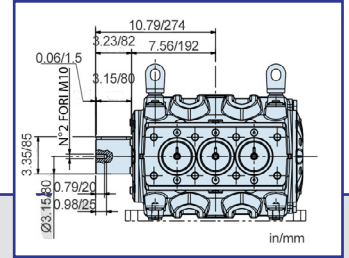
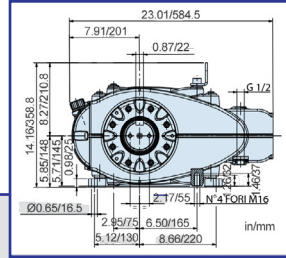
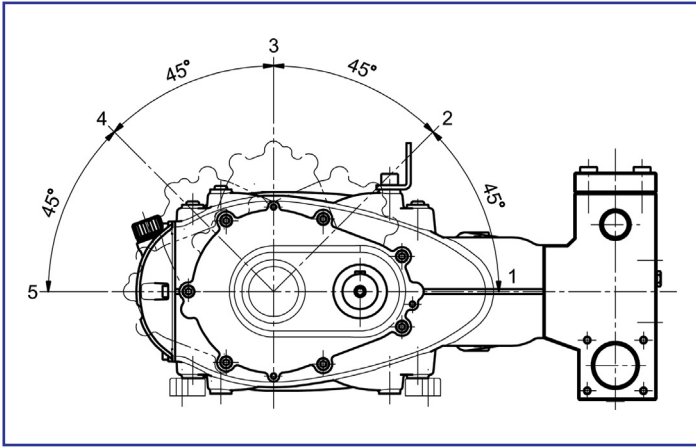


MWN32/36/40 Series

Technical Details



DRIVE OPTIONS



Direct drive without gearbox 800 RPM

OVERALL DIMENSIONS

