

# MKS55/60/65

## FEATURES

- High pressure, Triplex Plunger Pump, available in 3 flows
- Low-high pressure packing design with integrated cooling system
- High volumetric efficiency suction/delivery valves featuring new spherical design of sealing areas
- Splash lubrication
- Available with external gear box in 1500/1800/2200 RPM, positionable on left or right
- Includes drain/priming valve kit
- Gear Ratios: 1500 RPM=2.23:1, 1800=2.65:1, 2200=3.29:1
- SAE D Hydraulic Drive in 1800 RPM
- SAE C Hydraulic Drive in 2500 RPM



## MATERIALS

- Pump body in cast iron
- Manifold made of spheroidal cast iron with HR coating
- Self-adjusting spherical roller bearings on crankshaft
- Forged steel connecting rods with antifriction bearings
- Crankshaft made of nitrited, hardened and tempered alloy steel
- Cast iron plunger guides, nickel treated
- Solid ceramic plungers
- Stainless steel valves

Product Group: V

## COMMON SPECIFICATIONS

- Maximum Inlet Pressure: ..... 45 PSI
- Maximum Fluid Temperature: ..... \*140° F
- Inlet Port Thread: ..... 3" NPT-Flange
- Discharge Port Thread: ..... 1-1/4" NPT-F
- Shaft Diameter (w/gearbox): ..... 2.165"/55 mm
- Stroke: ..... 2.835"/72 mm
- Pump Dimensions: ..... 33.11" x 29.38" x 14.25"
- Crankcase Oil Capacity: ..... 456.5 oz. (13.5 liters)  
..... (use GP Series 220 Oil)
- Shipping Weight: ..... 862 lbs./391 kg

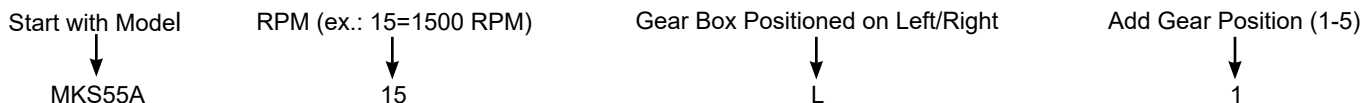
\*Please consult technical guide or GP Sales Representative for Temperature/Inlet Pressure Information.

Note: All models come standard with crankshaft on right side (when facing manifold), specify "L" after part number when ordering left hand version.

MODEL	GPM/LPM	PSI/BAR	RPM	BORE	HP
MKS55A	92.0 GPM/348 LPM	2950 PSI/203 BAR	1500/1800/2200 RPM	2.165 in./55 mm	185
MKS60A	109 GPM/414 LPM	2500 PSI/170 BAR	1500/1800/2200 RPM	2.362 in./60 mm	187
MKS65A	128.0 GPM/486 LPM	2100 PSI/150 BAR	1500/1800/2200 RPM	2.559 in./65 mm	183

How to order/Examples of Part Numbers:

When ordering with gear box:



So the Part Number in the Above Example: MKS55A15L1  
 (Model is MKS55A, with an RPM of 1500, gear box positioned on left side of pump, in the first position.)

## PUMP OPTIONS

- "R" version suitable for recycled water and run dry applications (Max Temp 185° F, not available on MKS40A and MKS45A)
- SAE-J 744-D hollow shaft P.T.O. for direct mount hydraulic drive available on 1800 RPM version only
- SAE-J 744-C hollow shaft P.T.O. for direct mount hydraulic drive available on 2500 RPM version only



General Pump  
is a member of  
The Interpump Group



Ref 300746 Rev. H  
01-21



## ACCESSORIES

### REGULATORS

■ R2

61.0 GPM  
3050 PSI



■ RV3

53.0-132.0 GPM  
3050-4350 PSI



■ PNR2

61.0 GPM  
3050 PSI



■ PN3

79.0-132.0 GPM  
2350-4350 PSI



### GUNS / LANCES

■ ZP87SSL19/39/19S/39S

15.85 GPM  
8700 PSI



■ YG7221/L31-YG7221/51

21.0 GPM  
7250 PSI



■ YRL56L

8.0 GPM  
5650 PSI



### SAFETY DEVICES

■ SV3

132.0 GPM  
2900-4350 PSI



■ SX3

132.0 GPM  
2900-4350 PSI



### PULSATION DAMPENERS

■ A15

105.6 GPM  
4750 PSI



■ A15X

105.6 GPM  
2150 PSI  
316 SS



### UNLOADERS

■ RA2

61.0 GPM  
3050 PSI



■ RA2L

61.0 GPM  
3050 PSI



■ ZKBH3030

29.0 GPM  
3050 PSI



■ PN2

61.0 GPM  
7250 PSI



### MISCELLANEOUS

■ 320001/  
320003

30005000 PSI  
Pressure Gauge



■ 190600

Priming Drain  
Valve Kit



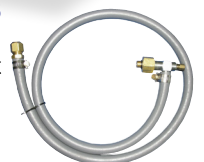
■ 639276

125.0 GPM  
50/297 Mesh/  
Micron Filter



■ 190448

Oil Drain Kit

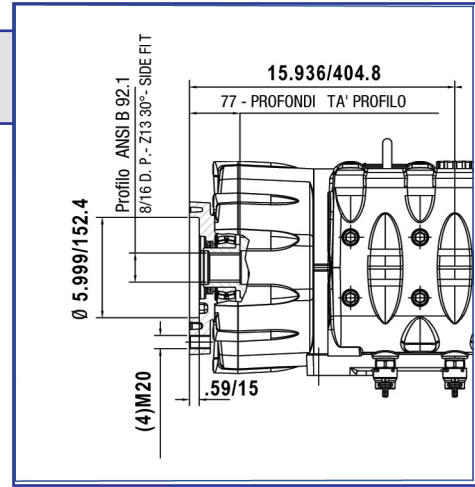
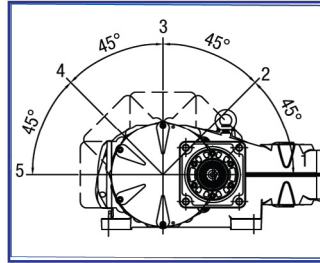
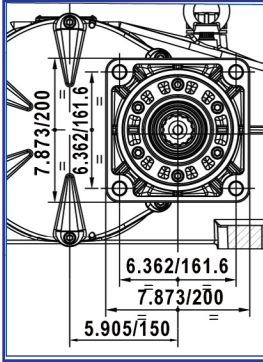



# MKS 55/60/65 series

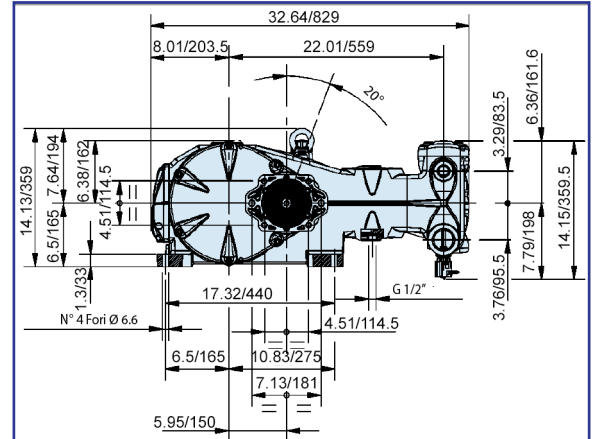
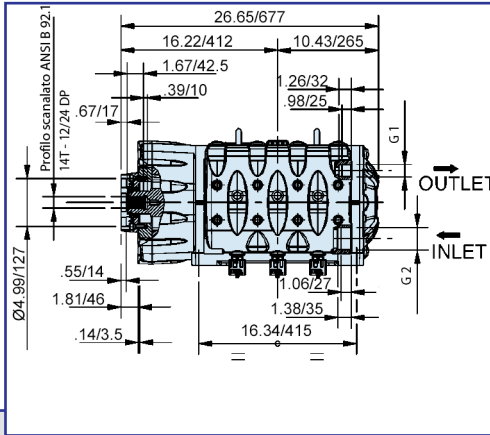
## Technical Details

### DRIVE OPTIONS

**SAE-D 4F 13T 8/16 hydraulic drive  
1800 RPM only**



	1:3,73
r.p.m.	2500



**SAE J744-C Spline Shaft  
14T 12/24 DP Hydraulic Motor  
Mount (2500 RPM only)**



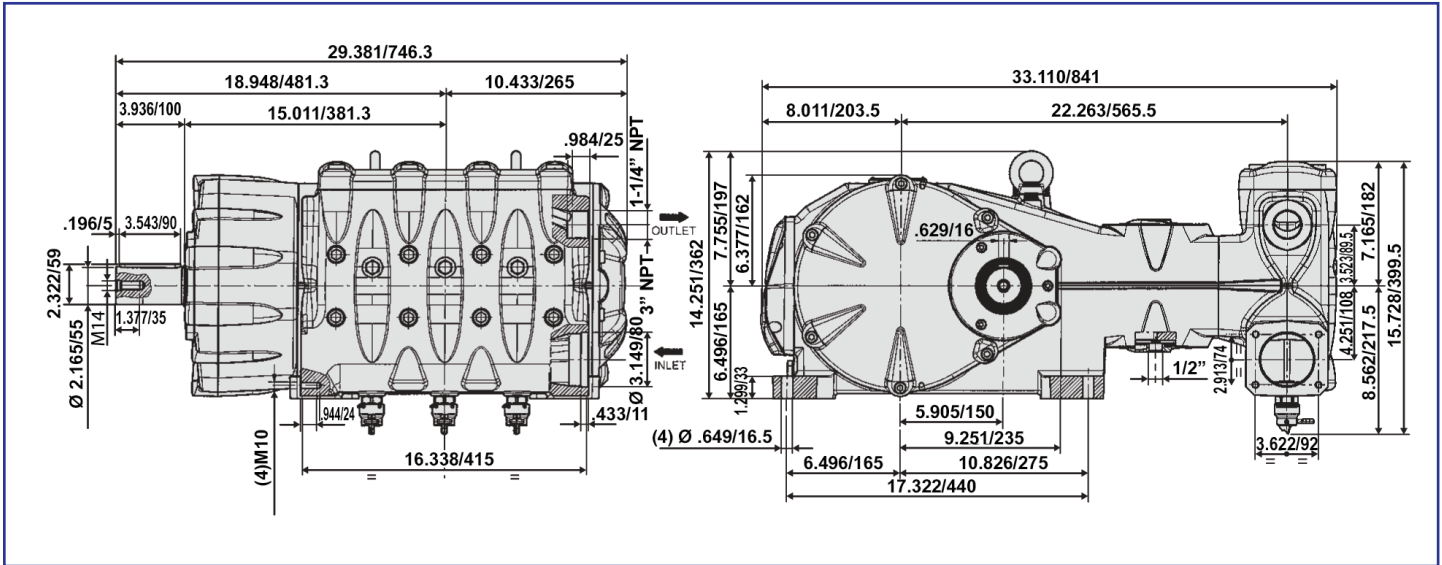
**ZRPM1 RPM Counter**  
Inductive proximity sensor, c/w female connector M12 4 pin, IP67, field attachable, ring nut reduction M18 x 1. Power Supply: 12/24 VDC



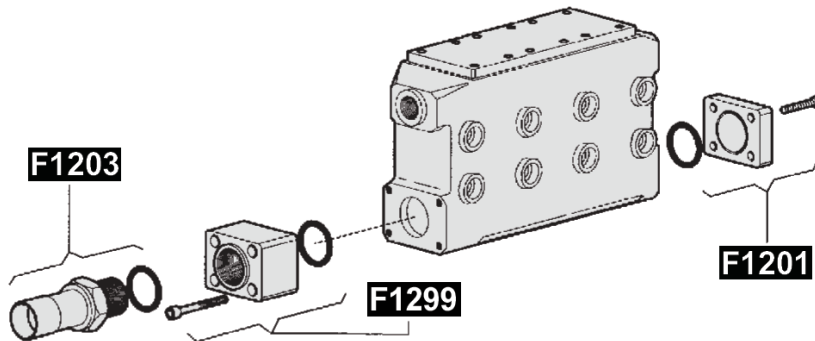
# MKS 55/60/65 series

## Technical Details

### OVERALL DIMENSIONS



### CONNECTION KITS



F1201	Closed Inlet Flange
F1299	Open Inlet Flange, 3" NPT
F1203	Inlet Hose Fitting, 90 mm

Note: Pump Includes the Following:  
 F1201 - Inlet Blank Flange  
 F1299 - 3" NPT-F Inlet Flange  
 Set of (3) F20030160 Priming/Drain Valves