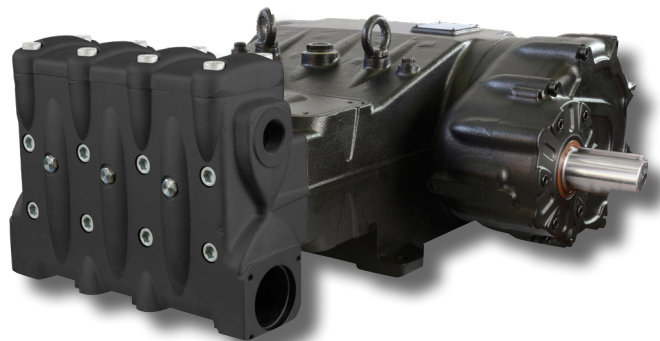


MKS2 55/60/65 Series

FEATURES

- High pressure, Triplex Plunger Pump, available in 3 flows
- Low-high pressure packing design with integrated cooling system
- High volumetric efficiency suction/delivery valves featuring new spherical design of sealing areas
- Splash lubrication
- Available with external gear box in 1500/1800/2200 RPM, positionable on left or right
- Gear Ratios:
1500 RPM=2.2:1, 1800 RPM=2.667:1, 2200 RPM=3.278:1 (solid shaft)
SAE C 14T: 2500 RPM=3.75:1
SAE D 13T: 1800 RPM= 2.667:1
- Includes drain/priming valve kit



MATERIALS

- Pump body in cast iron
- Manifold made of spheroidal cast iron, polymer treated
- Self-adjusting spherical roller bearings on crankshaft
- Forged steel connecting rods with anti-friction bearings
- Crankshaft made of nitrited, hardened and tempered alloy steel
- Cast iron plunger guides, nickel treated
- Solid ceramic plungers
- Stainless steel valves

COMMON SPECIFICATIONS

- Maximum Inlet Pressure: 45 PSI
- Maximum Fluid Temperature: *140° F
- Inlet Port Thread: 3" NPT-Flange
- Discharge Port Thread: 1-1/4" NPT-F
- Shaft Diameter (w/gearbox): 2.165"/55 mm
- Stroke: 2.835"/72 mm
- Pump Dimensions: 33.11" x 29.38" x 14.25"
- Crankcase Oil Capacity: 456.5 oz. (13.5 liters)
. (use GP Series 220 Oil)
- Shipping Weight: 931 lbs./427 kg

*Please consult technical guide or GP Sales Representative for Temperature/Inlet Pressure Information.

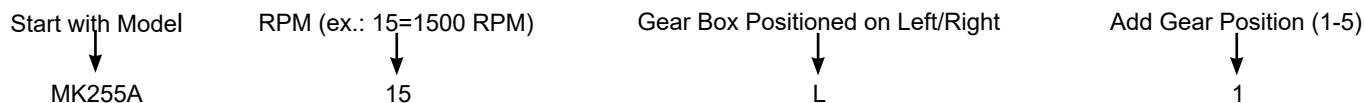
Product Group: V

Note: All models come standard with crankshaft on right side (when facing manifold), specify "L" after part number when ordering left hand version.

MODEL	GPM/LPM	PSI/BAR	RPM	BORE	HP
MKS255A	91.6 GPM//346 LPM	2900 PSI/200 BAR	1500/1800/2200 RPM	2.165 in./55 mm	180.0
MKS260A	108.8 GPM/412 LPM	2470 PSI/170 BAR	1500/1800/2200 RPM	2.362 in./60 mm	182.0
MKS265A	127.8 GPM/484 LPM	2180 PSI/150 BAR	1500/1800/2200 RPM	2.559 in./65 mm	188.0

How to order/Examples of Part Numbers:

When ordering with gear box:



So the Part Number in the Above Example: **MKS255A15L1**
(Model is MKS255A, with an RPM of 1500, gear box positioned on left side of pump, in the first position.)

DRIVE OPTIONS

- "R" version suitable for recycled water and run dry applications max. temp 185° F
- SAE-D 744/13T-8/16DP splined shaft P.T.O. for direct mount hydraulic drive available (1500 RPM only)
- SAE-C 14T-12/24DP splined shaft P.T.O. for direct mount hydraulic drive available (2050 RPM only)



General Pump
is a member of
The Interpump Group



Ref 301076 Rev. A
06-21



ACCESSORIES

REGULATORS

■ R1

18.5-29.0 GPM
2900-8700 PSI



■ R2

61.0 GPM
3050 PSI



■ R3

132.0 GPM
6530 PSI



■ PNR2

61.0 GPM
3050 PSI



■ PN4

79.0-132.0 GPM
2350-4350 PSI



GUNS / LANCES

■ ZP87SSL19/39/19S/39S

15.85 GPM
8700 PSI



■ YG7221/L31-YG7221/51

21.0 GPM
7250 PSI



■ YRL56L

8.0 GPM
5650 PSI



SAFETY DEVICES

■ S723

61.0 GPM
10,150 PSI



■ SX2

50.0 GPM
1450-5899 PSI



■ S455

132.0 GPM
6525 PSI



■ SX3

132.0 GPM
2900-4350 PSI



PULSATION DAMPENERS

■ A7X

16.0 GPM
3050PSI
316 SS



■ A7S

43.0 GPM
2150 PSI



■ A15

105.6 GPM
4750 PSI



■ A15X

105.6 GPM
2150 PSI
316 SS



UNLOADERS

■ RA2

61.0 GPM
3050 PSI



■ RA2L

61.0 GPM
3050 PSI



■ ZKBH3030

29.0 GPM
3050 PSI



■ PN2

61.0 GPM
7250 PSI



MISCELLANEOUS

■ 320001/
320003

3000/5000 PSI
Pressure Gauge



■ 190600

Priming Drain
Valve Kit



■ 639276

125.0 GPM
50/297 Mesh/Micron
Filter



■ 190448

Oil Drain Kit



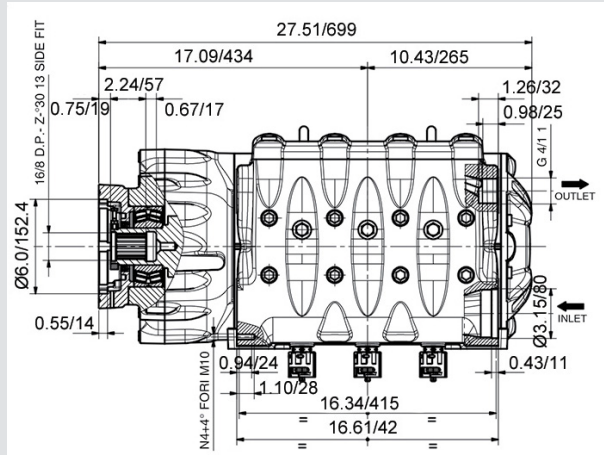
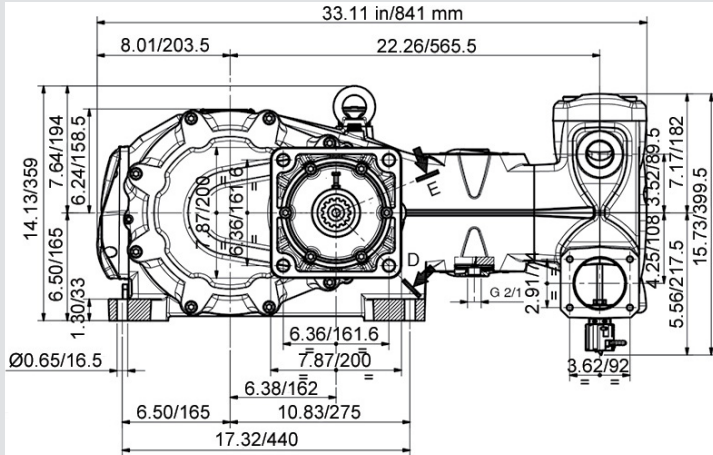


MKS2 55/60/65 Series

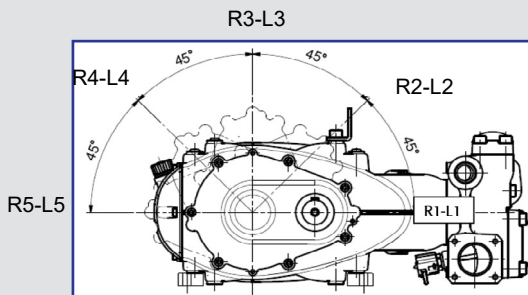
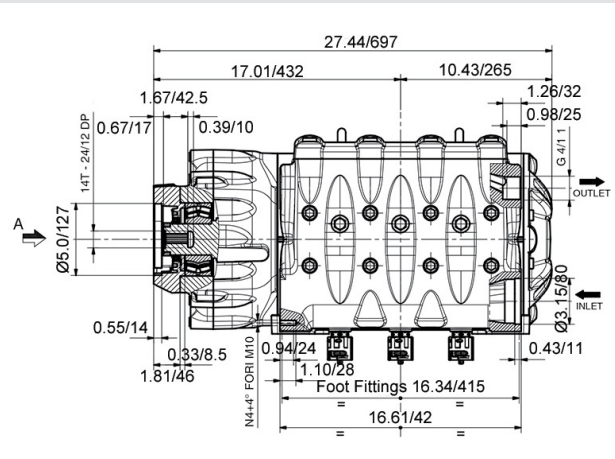
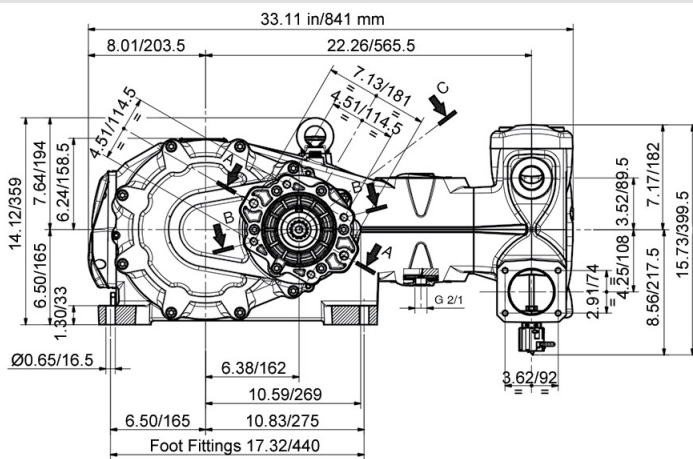
Technical Details

DRIVE OPTIONS

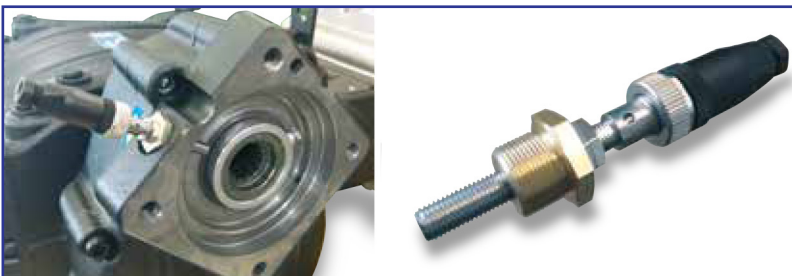
SAE-D 744/13T-8/16DP Flange



SAE-C/14T-12/24DP Flange



- L** Gear box on the left side
- R** Gear box on the right side
- L1** Gear box is shown in position L1 (left side, 0° angle)



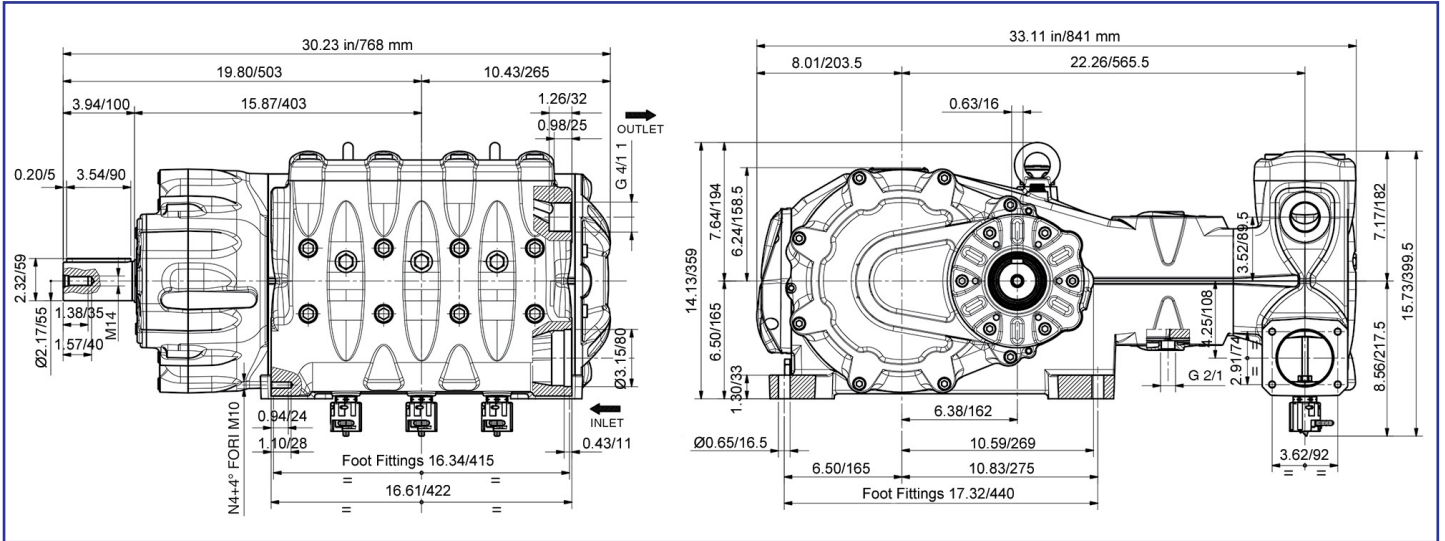
ZRPM1 RPM Counter
 Inductive proximity sensor, c/w female connector M12 4 pin, IP67, field attachable, ring nut reduction M18 x 1.
 Power Supply: 12/24 VDC



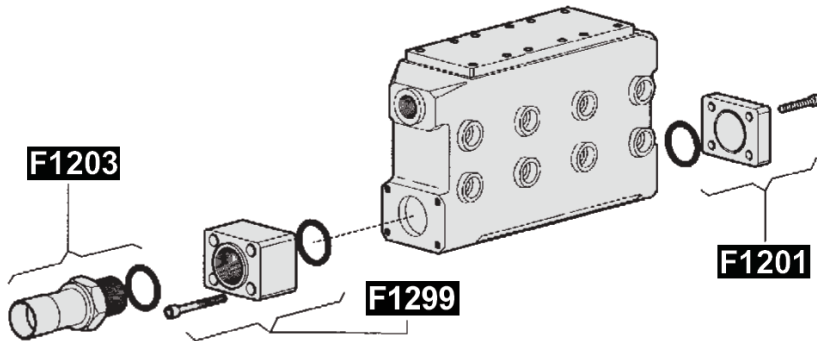
MKS2 55/60/65 Series

Technical Details

OVERALL DIMENSIONS



CONNECTION KITS



F1201	Closed Inlet Flange
F1299	Open Inlet Flange, 3" NPT
F1203	Inlet Hose Fitting, 90 mm

Note: Pump Includes the Following:
 F1201 - Inlet Blank Flange
 F1299 - 3" NPT-F Inlet Flange
 Set of (3) F20030160 Priming/Drain Valves