

REGULATORS

■ R1

18.5-29.0 GPM
2900-8700 PSI



■ R2

61.0 GPM
3050 PSI



■ R3

132.0 GPM
6530 PSI



■ PNR2

61.0 GPM
3050 PSI



■ PN4

79.0-132.0 GPM
2350-4350 PSI



GUNS / LANCES

■ ZP87SSL19/39/19S/39S

15.85 GPM
8700 PSI



■ YG7221/L31-YG7221/51

21.0 GPM
7250 PSI



■ YRL56L

8.0 GPM
5650 PSI



SAFETY DEVICES

■ S723

61 GPM
10,150 PSI



■ SX2

50.0 GPM
1450-5899 PSI



■ S455

132.0 GPM
6525 PSI



■ SX3

132.0 GPM
2900-4350 PSI



PULSATION DAMPENERS

■ A7X

16.0 GPM
3050PSI
316 SS



■ A7S

43.0 GPM
2150 PSI



■ A15

105.6 GPM
4750 PSI



■ A15X

105.6 GPM
2150 PSI
316 SS



UNLOADERS

■ RA2

61.0 GPM
3050 PSI



■ RA2L

61.0 GPM
3050 PSI



■ ZKBH3030

29.0 GPM
3050 PSI



■ PN2

61.0 GPM
7250 PSI



MISCELLANEOUS

■ 320001/ 320003

3000/5000 PSI
Pressure Gauge



■ 190600

Priming Drain
Valve Kit



■ 639276

125.0 GPM
50/297 Mesh/Micron
Filter



■ 190448

Oil Drain Kit

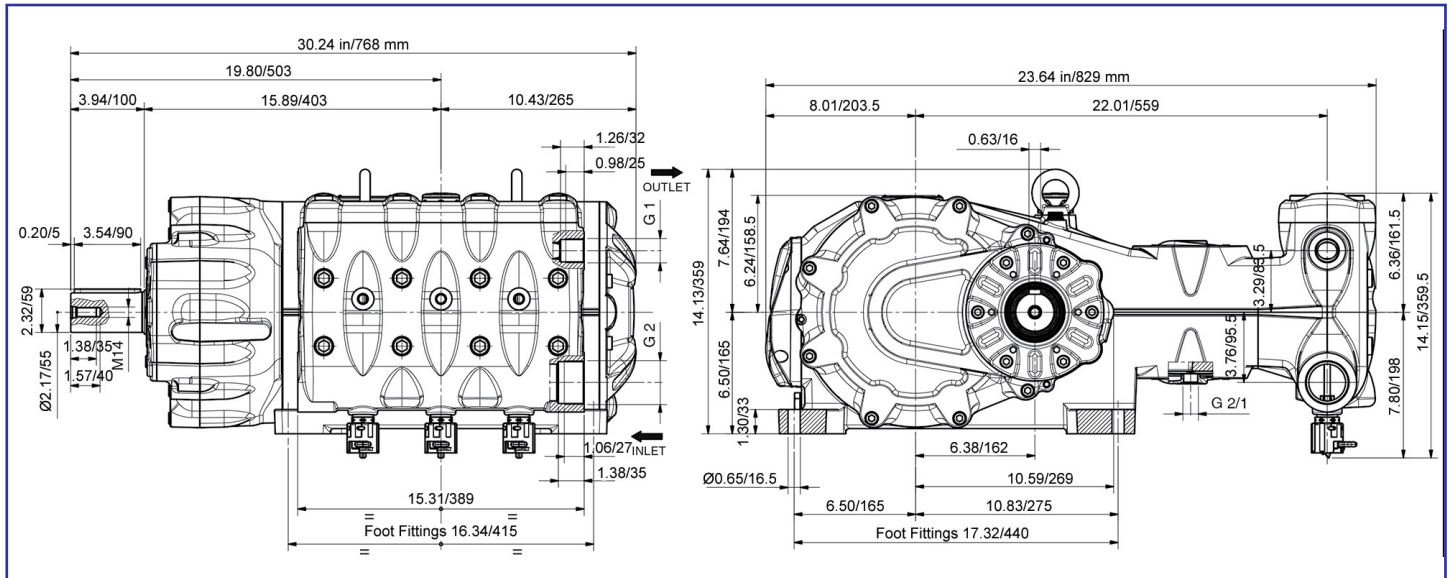


MKS2 40/45/50 Series

Technical Details



OVERALL DIMENSIONS



NOTE: Pump Includes (3) F200030170 Priming/Drain Valves