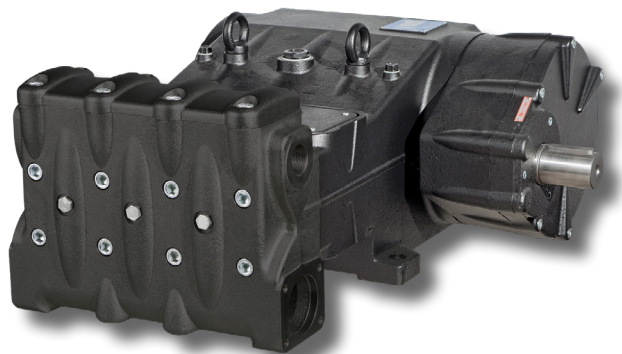


MK55/60/65 Series

FEATURES

- High pressure, Triplex Plunger Pump, available in 3 flows
- Low-high pressure packing design with integrated cooling system
- High volumetric efficiency suction/delivery valves featuring new spherical design of sealing areas
- Splash lubrication
- Available with external gear box in 1500/1800 RPM, positionable on left or right
- Includes drain/priming valve kit
- Gear Ratios: 1500 RPM=2.65:1, 1800=3.29:1



MATERIALS

- Pump body in cast iron
- Manifold made of spheroidal cast iron, with HR treatment
- Self-adjusting spherical roller bearings on crankshaft
- Forged steel connecting rods with antifriction bearings
- Crankshaft made of nitrited, hardened and tempered alloy steel
- Cast iron plunger guides, nickel treated
- Solid ceramic plungers
- Stainless steel valves

COMMON SPECIFICATIONS

- Maximum Inlet Pressure: 45 PSI
- Maximum Fluid Temperature: *140° F
- Inlet Port Thread: 3" NPT-Flange
- Discharge Port Thread: 1-1/4" NPT-F
- Shaft Diameter (w/gearbox): 2.165"/55 mm
- Stroke: 2.835"/72 mm
- Pump Dimensions: 33.11" x 29.38" x 14.25"
- Crankcase Oil Capacity: 456.5 oz. (13.5 liters)
 (use GP Series 220 Oil)
- Shipping Weight: 862 lbs./391 kg

*Please consult technical guide or GP Sales Representative for Temperature/Inlet Pressure Information.

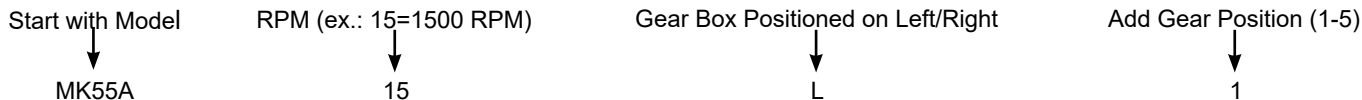
Product Group: V

Note: All models come standard with crankshaft on right side (when facing manifold), specify "L" after part number when ordering left hand version.

MODEL	GPM/LPM	PSI/BAR	RPM	BORE	HP
MK55A	75.0 GPM/283 LPM	2900 PSI/200 BAR	1500/1800 RPM	2.165 in./55 mm	149
MK60A	90.0 GPM/340 LPM	2500 PSI/170 BAR	1500/1800 RPM	2.362 in./60 mm	152
MK65A	107.0 GPM/406 LPM	2175 PSI/150 BAR	1500/1800 RPM	2.559 in./65 mm	160

How to order/Examples of Part Numbers:

When ordering with gear box:



So the Part Number in the Above Example: **MK55A15L1**
 (Model is MK55A, with an RPM of 1500, gear box positioned on left side of pump, in the first position.)

PUMP OPTIONS

- "R" version suitable for recycled water and run dry applications (Max Temp 185° F)
- SAE-J 744-D hollow shaft P.T.O. for direct mount hydraulic drive available



General Pump
 is a member of
 The Interpump Group



Ref 300744 Rev D
 01-21



ACCESSORIES

MK55/60/65 Series

REGULATORS

R1

18.5-29.0 GPM
2900-8700 PSI



R2

61.0 GPM
3050 PSI



RV3

53.0-132.0 GPM
3050-4350 PSI



PNR2

61.0 GPM
3050 PSI



PN3

79.0-132.0 GPM
2350-4350 PSI



GUNS / LANCES

ZP87SSL19/39/19S/39S

15.85 GPM
8700 PSI



YG7221/L31-YG7221/51

21.0 GPM
7250 PSI



YRL56L

8.0 GPM
5650 PSI



SAFETY DEVICES

SV2

50.0 GPM
1450-8700PSI



SX2

50.0 GPM
1450-5899 PSI



SV3

132.0 GPM
2900-4350 PSI



SX3

132.0 GPM
2900-4350 PSI



PULSATION DAMPENERS

A7X

16.0 GPM
3050PSI
316 SS



A7S

43.0 GPM
2150 PSI



A15

105.6 GPM
4750 PSI



A15X

105.6 GPM
2150 PSI
316 SS



UNLOADERS

RA2

61.0 GPM
3050 PSI



RA2L

61.0 GPM
3050 PSI



ZKBH3030

29.0 GPM
3050 PSI



PN2

61.0 GPM
7250 PSI



MISCELLANEOUS

320001/ 320003

3000/5000 PSI
Pressure Gauge



190600

Priming Drain
Valve Kit



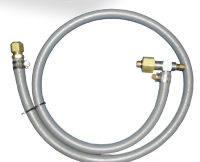
639276

125.0 GPM
50/297 Mesh/Micron
Filter



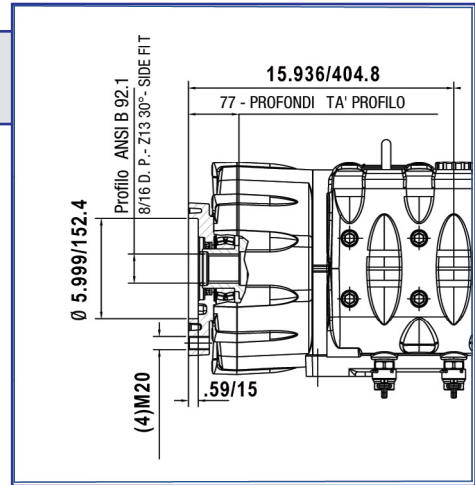
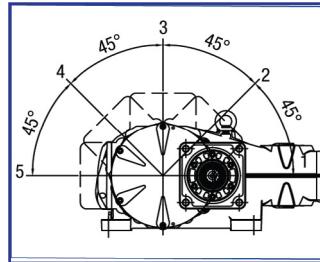
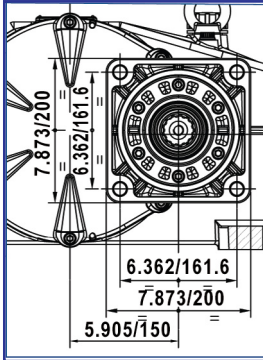
190448


Oil Drain Kit

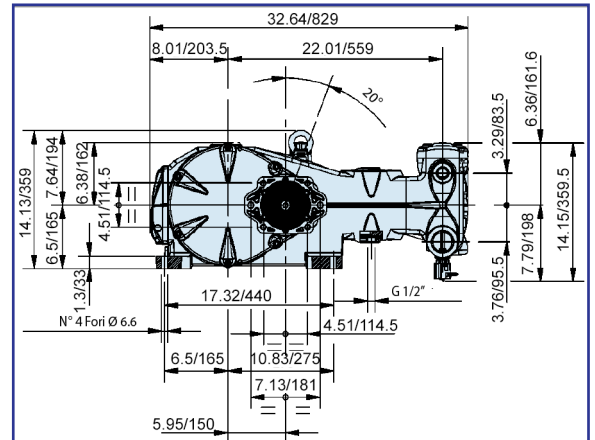
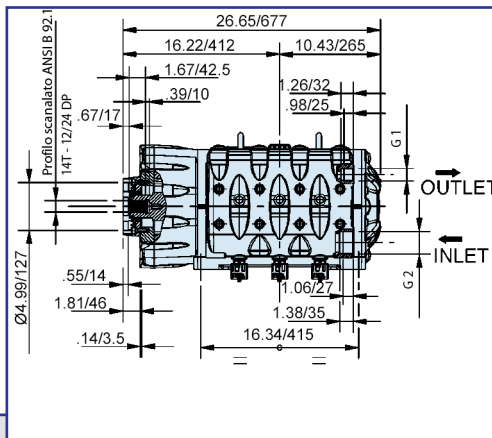


DRIVE OPTIONS

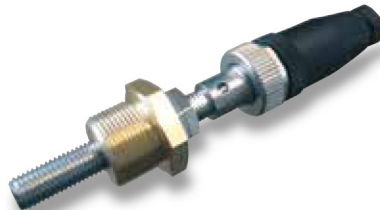
SAE-D hydraulic drive 1800 RPM only



	1:3,73
r.p.m.	2050



SAE J744-C Spline Shaft 14T 12/24 DP Hydraulic Motor Mount



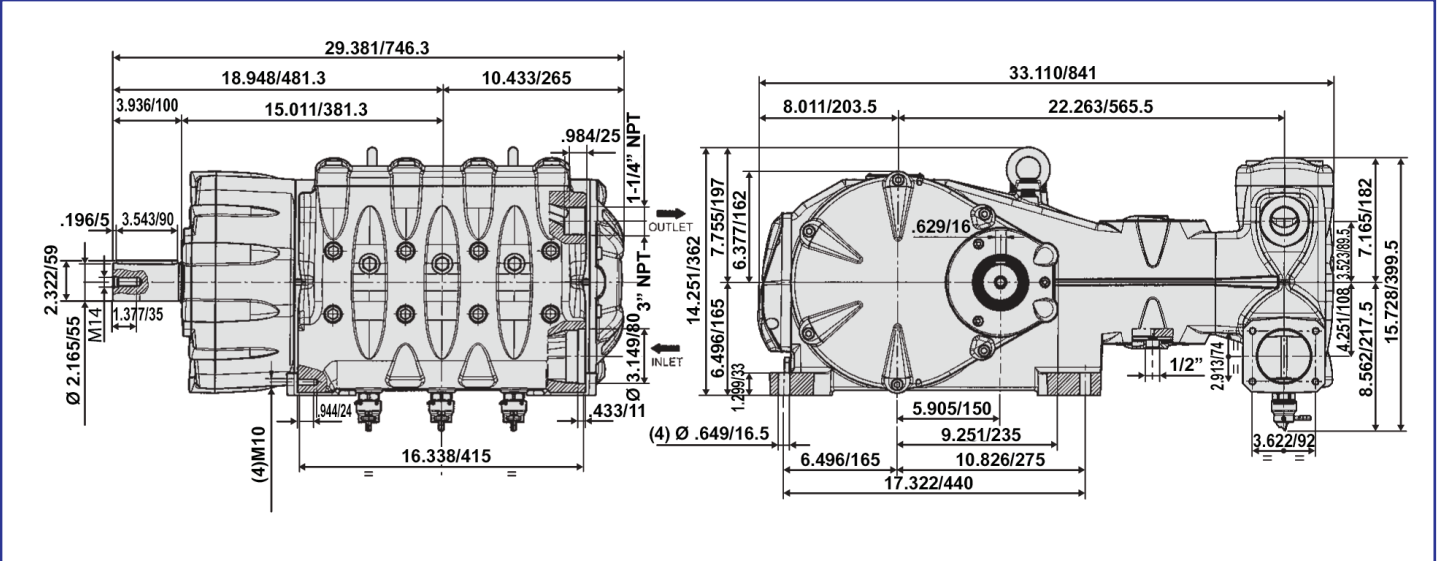
ZRPM1 RPM Counter

Inductive proximity sensor, c/w female connector M12 4 pin, IP67, field attachable, ring nut reduction M18 x 1. Power Supply: 12/24 VDC

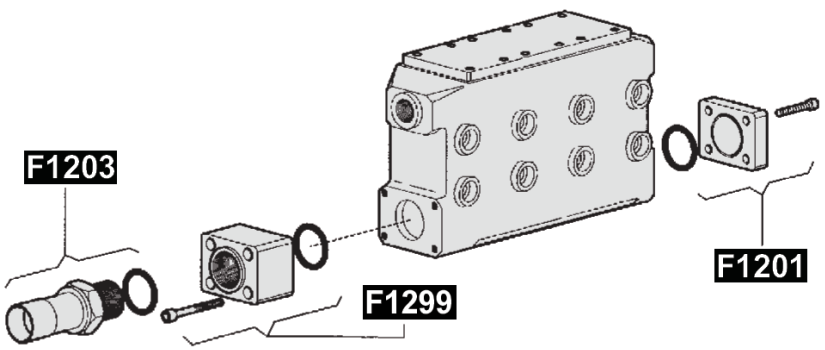
MK55/60/65 series

Technical Details

OVERALL DIMENSIONS



CONNECTION KITS



F1201	Closed Inlet Flange
F1299	Open Inlet Flange, 3" NPT
F1203	Inlet Hose Fitting, 90 mm

Note: Pump Includes the Following:
 F1201 - Inlet Blank Flange
 F1299 - 3" NPT-F Inlet Flange
 Set of (3) F20030160 Priming/Drain Valves

