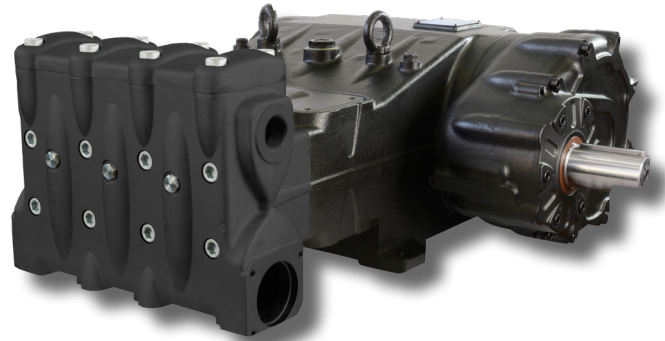


MK2 55/60/65 Series

FEATURES

- High pressure, Triplex Plunger Pump, available in 3 flows
- Low-high pressure packing design with integrated cooling system
- High volumetric efficiency suction/delivery valves featuring new spherical design of sealing areas
- Splash lubrication
- Available with external gear box in 1500/2050 RPM, positionable on left or right
- Gear Ratios:
1500 RPM=2.667:1, 1800 RPM=3.278:1 (solid shaft)
SAE C 14T: 2050 RPM=3.75:1
SAE D 13T: 1500 RPM= 2.667:1
- Includes drain/priming valve kit



MATERIALS

- Pump body in cast iron
- Manifold made of spheroidal cast iron, polymer treated
- Self-adjusting spherical roller bearings on crankshaft
- Forged steel connecting rods with anti-friction bearings
- Crankshaft made of nitrited, hardened and tempered alloy steel
- Cast iron plunger guides, nickel treated
- Solid ceramic plungers
- Stainless steel valves

COMMON SPECIFICATIONS

- Maximum Inlet Pressure: 45 PSI
- Maximum Fluid Temperature: *140° F
- Inlet Port Thread: 3" NPT-Flange
- Discharge Port Thread: 1-1/4" NPT-F
- Shaft Diameter (w/gearbox): 2.165"/55 mm
- Stroke: 2.835"/72 mm
- Pump Dimensions: 33.11" x 29.38" x 14.25"
- Crankcase Oil Capacity: 456.5 oz. (13.5 liters)
. (use GP Series 220 Oil)
- Shipping Weight: 931 lbs./427 kg

*Please consult technical guide or GP Sales Representative for Temperature/Inlet Pressure Information.

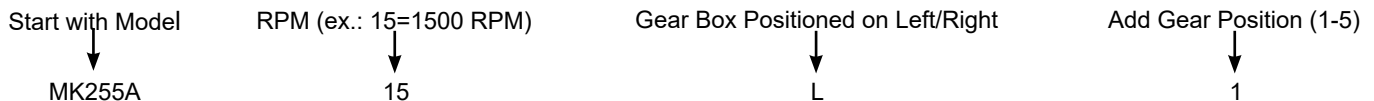
Product Group: V

Note: All models come standard with crankshaft on right side (when facing manifold), specify "L" after part number when ordering left hand version.

| MODEL | GPM/LPM | PSI/BAR | RPM | BORE | HP |
|--------|-------------------|------------------|---------------|-----------------|-----|
| MK255A | 76.6 GPM//289 LPM | 2900 PSI/200 BAR | 1500/1800 RPM | 2.165 in./55 mm | 150 |
| MK260A | 91.4 GPM/343 LPM | 2470 PSI/170 BAR | 1500/1800 RPM | 2.362 in./60 mm | 151 |
| MK265A | 107.3 GPM/403 LPM | 2160 PSI/150 BAR | 1500/1800 RPM | 2.559 in./65 mm | 157 |

How to order/Examples of Part Numbers:

When ordering with gear box:



So the Part Number in the Above Example: **MK255A15L1**
(Model is MK55A, with an RPM of 1500, gear box positioned on left side of pump, in the first position.)

DRIVE OPTIONS

- "R" version suitable for recycled water and run dry applications, max. temp 185° F
- SAE-D 744/13T-16/8DP splined shaft P.T.O. for direct mount hydraulic drive available (1500 RPM only)
- SAE-C 14T-24/12DP splined shaft P.T.O. for direct mount hydraulic drive available (2050 RPM only)



General Pump
is a member of
The Interpump Group



Ref 301052 Rev B
06-21



ACCESSORIES

MK2 55/60/65 Series

REGULATORS

R1

18.5-29.0 GPM
2900-8700 PSI



R2

61.0 GPM
3050 PSI



R3

132.0 GPM
6530 PSI



PNR2

61.0 GPM
3050 PSI



PN4

79.0-132.0 GPM
2350-4350 PSI



GUNS / LANCES

ZP87SSL19/39/19S/39S

15.85 GPM
8700 PSI



YG7221/L31-YG7221/51

21.0 GPM
7250 PSI



YRL56L

8.0 GPM
5650 PSI



SAFETY DEVICES

S723

61.0 GPM
10,150 PSI



SX2

50.0 GPM
1450-5899 PSI



S455

132.0 GPM
6525 PSI



SX3

132.0 GPM
2900-4350 PSI



PULSATION DAMPENERS

A7X

16.0 GPM
3050PSI
316 SS



A7S

43.0 GPM
2150 PSI



A15

105.6 GPM
4750 PSI



A15X

105.6 GPM
2150 PSI
316 SS



UNLOADERS

RA2

61.0 GPM
3050 PSI



RA2L

61.0 GPM
3050 PSI



ZKBH3030

29.0 GPM
3050 PSI



PN2

61.0 GPM
7250 PSI



MISCELLANEOUS

320001/ 320003

3000/5000 PSI
Pressure Gauge



190600

Priming Drain
Valve Kit



639276

125.0 GPM
50/297 Mesh/Micron
Filter



190448

Oil Drain Kit

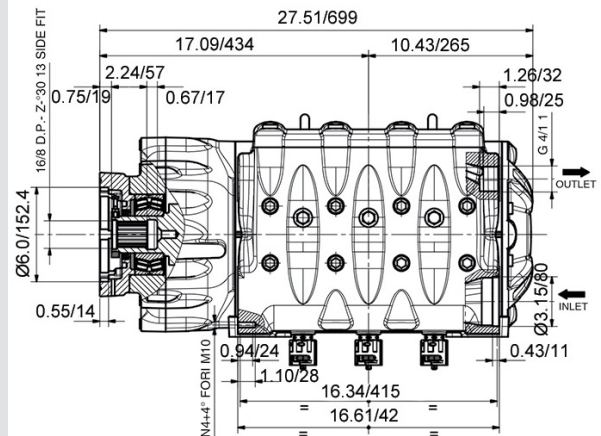
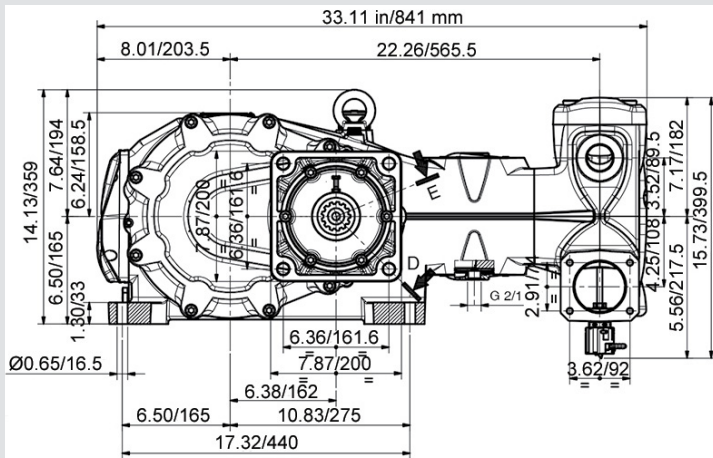


MK2 55/60/65 Series

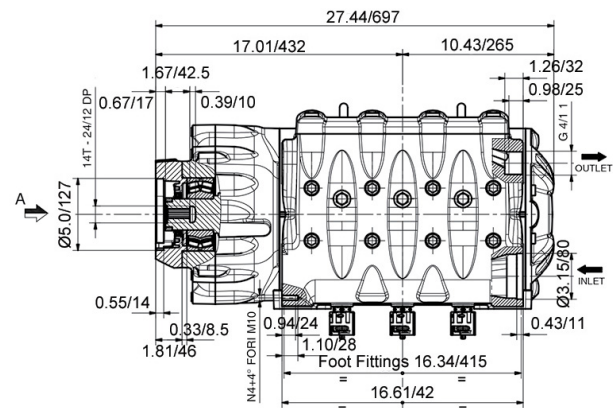
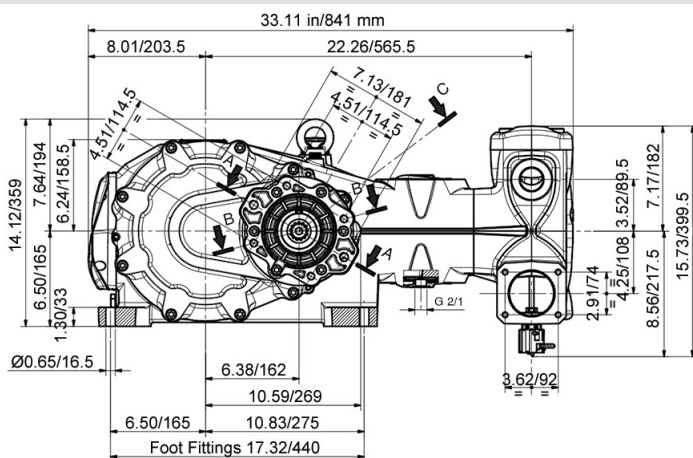
Technical Details

DRIVE OPTIONS

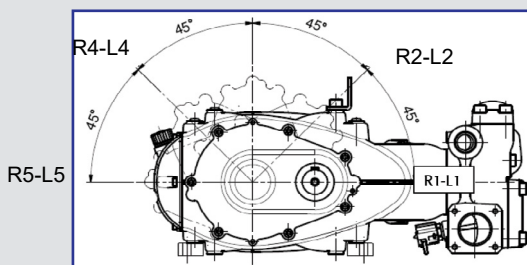
SAE-D 744/13T-8/16DP Flange



SAE-C/14T-12/24DP Flange



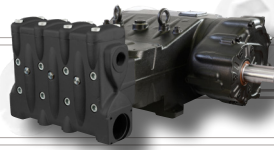
R3-L3



- L** Gear box on the left side
- R** Gear box on the right side
- L1** Gear box is shown in position L1 (left side, 0° angle)



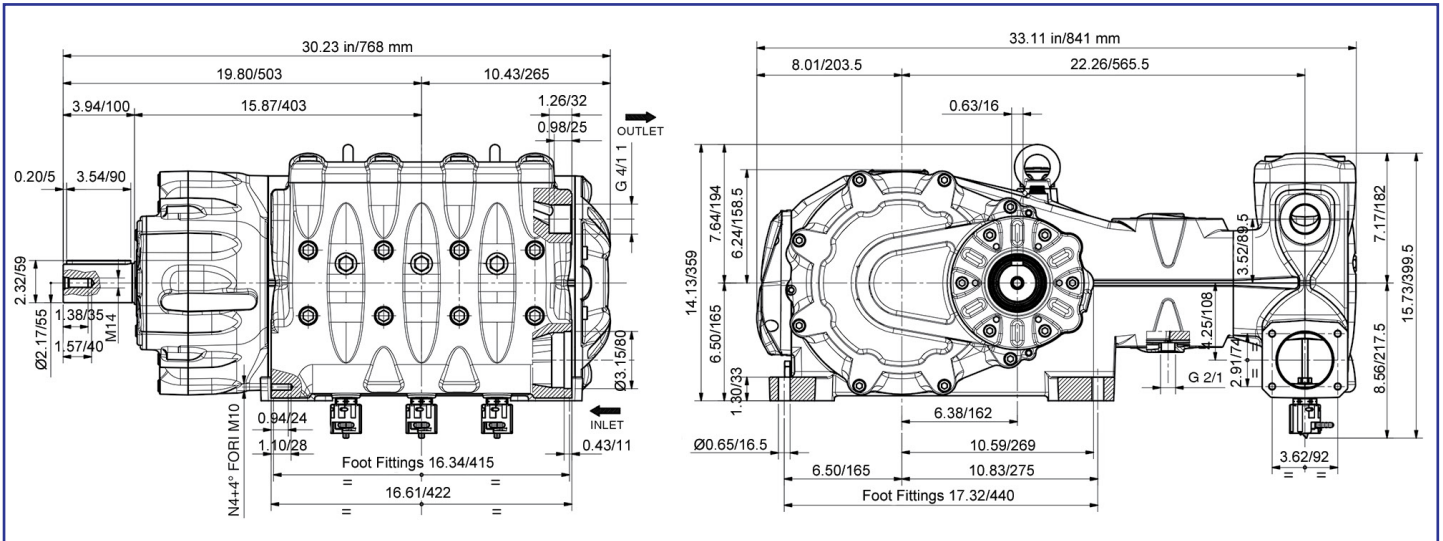
ZRPM1 RPM Counter
 Inductive proximity sensor, c/w female connector M12 4 pin, IP67, field attachable, ring nut reduction M18 x 1.
 Power Supply: 12/24 VDC



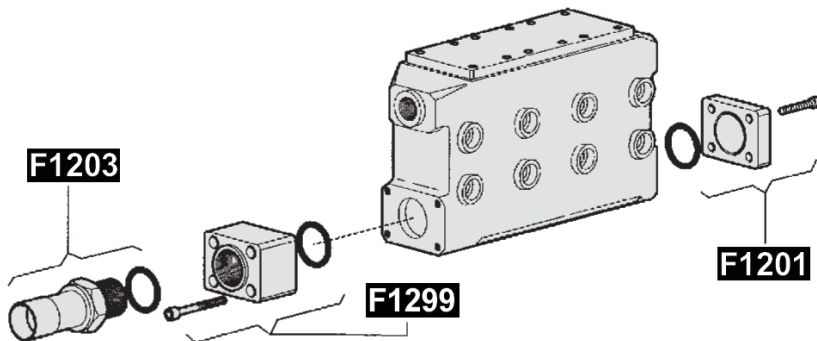
MK2 55/60/65 Series

Technical Details

OVERALL DIMENSIONS



CONNECTION KITS



| | |
|-------|---------------------------|
| F1201 | Closed Inlet Flange |
| F1299 | Open Inlet Flange, 3" NPT |
| F1203 | Inlet Hose Fitting, 90 mm |

Note: Pump Includes the Following:
 F1201 - Inlet Blank Flange
 F1299 - 3" NPT-F Inlet Flange
 Set of (3) F20030160 Priming/Drain Valves