

GENERAL PUMP *A member of the Interpump Group*

ME Series 82

Maintenance Easy, Solid Shaft

FEATURES

- Each cylinder's packing stacks are housed in a removable seal cartridge.
- Manifold stays on pump while servicing seal cartridges, minimizes down time.
- "HR" anti-corrosion surface treatment on manifold is at least 30 times more corrosion resistant with salt water mist.
- Kevlar® compound high pressure seals for longevity under rigorous conditions.
- Oversized crankcase reduces oil temps.
- Oversized connecting rod and premium roller bearings.
- Solid ceramic plungers with innovative fastening system.
- Seal cartridge extractor tool included with pump.



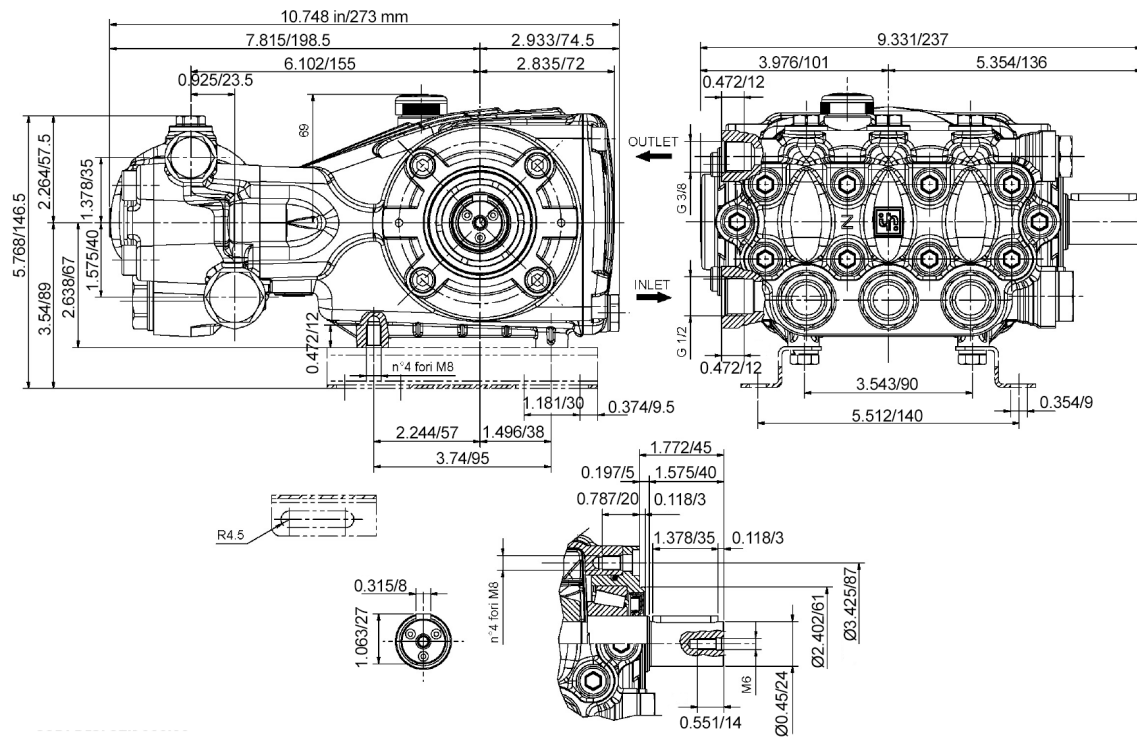
SPECIFICATIONS

Pump Model	ME22016S	ME22010S	ME22012S	ME22014S
Max Volume	5.5 GPM	3.96 GPM	4.76 GPM	5.55 GPM
Max Discharge Pressure	4,000 PSI			
Max Pump Speed	1,450 RPM	1,750 RPM		
Max Inlet Pressure	125 PSI			
Max Inlet Vacuum	3 ft. Water (2.6 in. Hg)			
Bore	.787 in. / 20 mm			
Stroke	.629 in./16mm	.394 in./10 mm	.472 in./12 mm	.551 in./14 mm
Crankcase Oil Capacity	16.9 oz.			
Max Fluid Temperature	165° F			
Inlet Port Thread	3/8"-19 BSPP-F			
Discharge Port Thread	1/4"-19 BSPP-F			
Shaft Diameter	.945 in. / 24 mm			
Weight	29.8 lbs.			
Dimensions	10.7" x 9.3" x 5.4"			

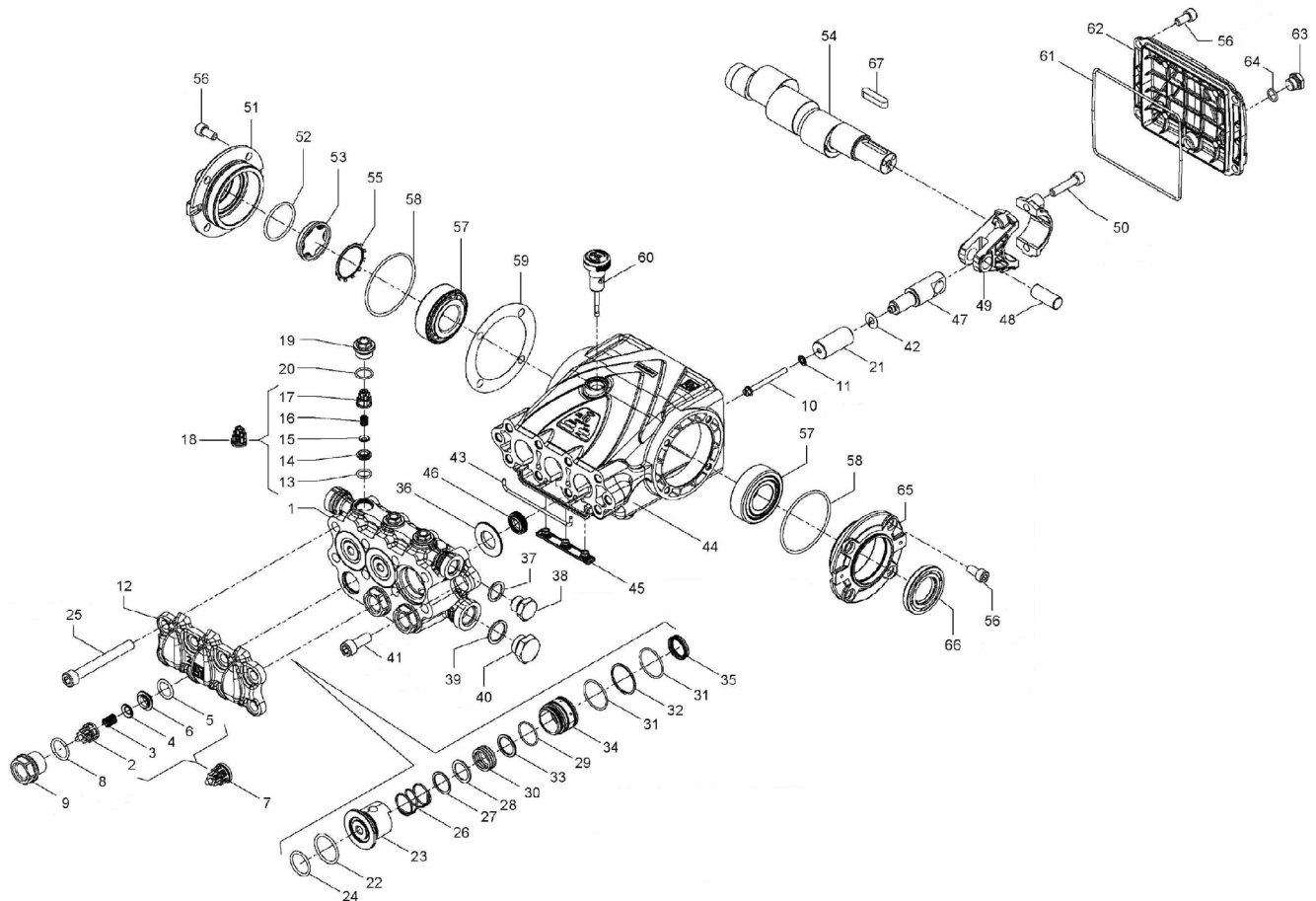
ME Series 82

GENERAL PUMP *A member of the Interpump Group*

DIMENSIONAL DRAWING



EXPLODED VIEW



ME Series 82

GENERAL PUMP *A member of the Interpump Group*

PARTS LIST

No.	Part No.	Description	Qty.
1	81120015	Manifold	1
2	36202551	Inlet Valve Guide	3
3	94737600	Inlet Spring, Ø9.4x14.8	3
4	36200176	Spherical Inlet Valve	3
5	90384100	O-ring, Ø17.13x2.62	3
6	36200366	Valve Seat	3
7	36711501	Inlet Valve Assy.	3
8	90384700	O-ring, Ø20.29x2.62	3
9	98222500	Plug, M24x1.5x16.7	3
10	99169000	Plunger Bolt	3
11	96690500	Washer Ø5.0x11.5x0.4	3
12	82210015	Front Cover	1
13	90367400	O-ring, Ø12x2	3
14	36211366	Valve Seat Outlet	3
15	36211276	Poppet Outlet Valve	3
16	94733300	Outlet Spring, Ø6.2x10.4	3
17	36211151	Valve Guide	3
18	36719301	Outlet Valve Assy.	3
19	98213750	Valve Cap	3
20	90359300	O-ring Ø15.6x1.78	3
21	59040009	Plunger Ø20x42	3
22	90386600	O-ring, Ø29.82x2.62	3
23	82210570	Cartridge Bushing, KC, Ø20	3
24	90385700	O-ring, Ø23.81x2.62	3
25	99378950	Bolt M10x85 Zinc	8
26	94753100	Spring, Ø24x25.3	3
27	82210756	Spring Ring, Ø20	3
28	82210851	Scraper Ring, KC, Ø20	3
29	90352200	O-ring, Ø25x1.50	3
30	90557500	Sealing Ring, KC, Ø20x26x9	3
31	90361200	O-ring Ø31.47x1.78	6
32	90517980	Anti-extrusion Ring Ø32x35x1.5	3
33	90513180	Anti-extrusion Ring Ø20x26x1.5	3
34	82210670	Intermediate Ring, KC, Ø20	3
35	90268750	Sealing Ring, LP, Ø20x26x5	3

No.	Part No.	Description	Qty.
36	82210370	Bottom Ring, Ø15	3
37	96738000	Washer Ø17.5x23x1.5	1
38	98210050	Plug, G3/8"x13	1
39	96751400	Washer, Ø21.5x27x1.5	1
40	98218700	Plug, G1/2"x10	2
41	99366800	Bolt M10x25	2
42	96698000	Washer, Ø7.5x18x0.5	3
43	82210482	Gasket Ø3x113	1
44	82010022	Crankcase	1
45	58210451	Drip Cover	1
46	90156550	Seal Ø15x24x5.0/7.0	3
47	59050066	Plunger Guide	3
48	97734000	Pin Ø10x29.5	3
49	59030001	Plunger Rod	3
50	99309900	Connecting Screw	6
51	47151222	Side Cover	1
52	90387700	O-ring, Ø39.34x2.62	1
53	70211801	Oil Level Indicator	1
54	47021935	Crank Shaft (ME22010S)	1
	47021835	Crank Shaft (ME22012S)	1
	47022135	Crank Shaft (ME22014S)	1
	47021735	Crank Shaft (ME22016S)	1
55	90075600	Stop Ring	1
56	99303900	Bolt, M08x16	12
57	91837800	Roller Bearing	2
58	90391300	O-ring, Ø67.95x2.62	2
59	99757800	Shim, Ø74.5x104x0.1	-
	97568000	Shim, Ø74.5x104x0.3	-
60	98210500	Dip Stick, G3/8"x51	1
61	90392750	O-ring, Ø139.37x2.62	1
62	82160022	Rear Cover	1
63	98204250	Plug, G1/4"x9	1
64	90358500	O-ring, Ø10.82x1.78	1
65	47151022	Side Cover, PTO	1
66	90164800	Oil Seal, Ø30x55x7	1
67	91489200	Key, 8x7x35	1

REPAIR KITS

TORQUE SPECS*

Kit No	269	271	292	358	359
ITEM NO's INCLUDED IN KIT	2,3,4,5,6,13,14,15,16,(7),(18)	46	8,9,19,20	22,24,28,29,30,31,32,33,35	22,23,24,26,27,28,32,33,34,35
NUMBER OF CYLINDERS KIT WILL SERVICE	3	3	3	3	1

Position	Ft. Lbs.
9	95.88
10	4.43
19	44.25
25	18.44
38	29.5
40	29.5
41	33.19
50	14.75
56	14.75
63	14.75

* Decrease torque by 20% if threads are lubricated

