

GENERAL PUMP *A member of the Interpump Group*

ME Series 81

Maintenance Easy, Solid Shaft

FEATURES

- Each cylinder's packing stacks are housed in a removable seal cartridge.
- Manifold stays on pump while servicing seal cartridges, minimizes down time.
- "HR" anti-corrosion surface treatment on manifold is at least 30 times more corrosion resistant with salt water mist.
- Kevlar® compound high pressure seals for longevity under rigorous conditions.
- Oversized crankcase reduces oil temps.
- Oversized connecting rod and premium roller bearings.
- Solid ceramic plungers with innovative fastening system.
- Seal cartridge extractor tool included with pump.



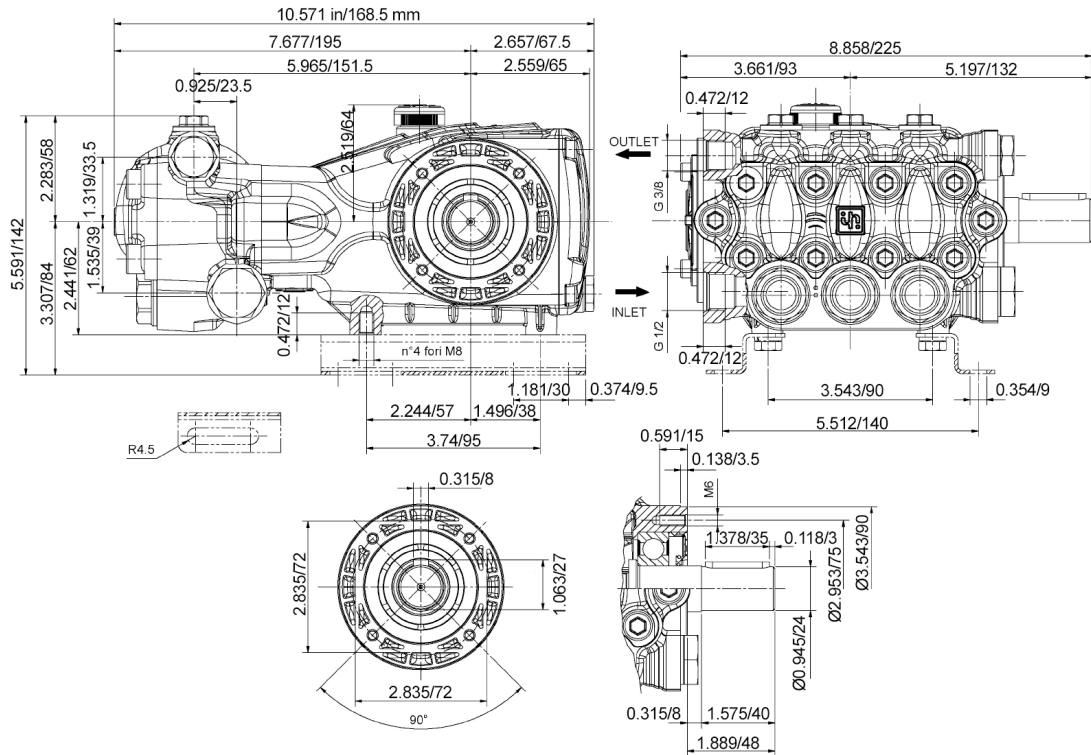
SPECIFICATIONS

Pump Model	ME11514S	ME11511S	ME11513S	ME11811S	ME11812S	ME11813S	ME11814S
Max Volume	2.64 GPM	2.50 GPM	3.04 GPM	3.57 GPM	3.96 GPM	4.22 GPM	4.49 GPM
Max Discharge Pressure	4,000 PSI			2900 PSI			
Max Pump Speed	1,450 RPM	1,750 RPM					
Max Inlet Pressure	125 PSI						
Max Inlet Vacuum	3 ft. Water (2.6 in. Hg)						
Bore	.59 in/15 mm			.71 in/18 mm			
Stroke	.55 in/14 mm	.43 in/11 mm	.51 in/13 mm	.43 in/11 mm	.47 in/12 mm	.51 in/13 mm	.55 in/14 mm
Crankcase Oil Capacity	16.9 oz.						
Max Fluid Temperature	165° F						
Inlet Port Thread	3/8"-19 BSPP-F						
Discharge Port Thread	1/4"-19 BSPP-F						
Shaft Diameter	.946 in. / 24 mm						
Weight	23.5 lbs.						
Dimensions	10.3" x 8.9" x 4.5"						

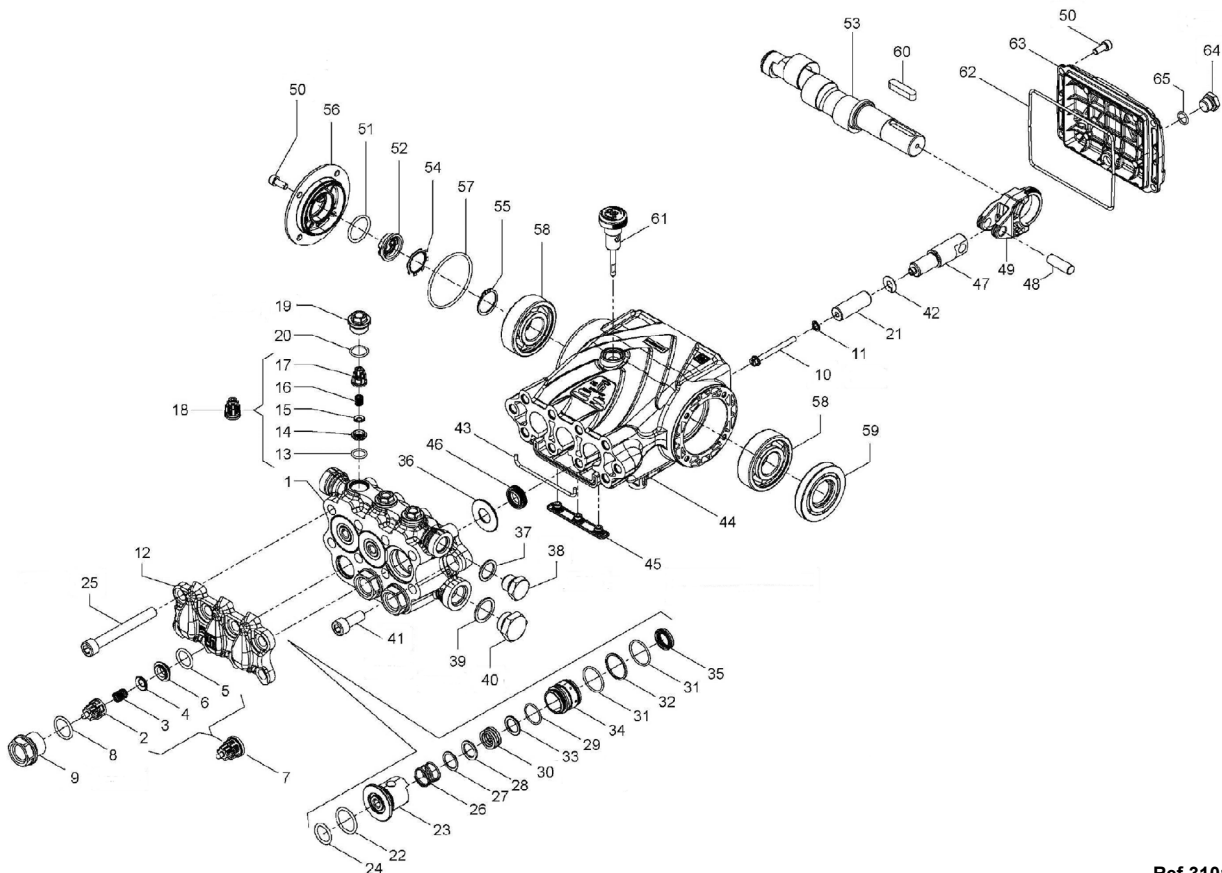
ME Series 81

GENERAL PUMP *A member of the Interpump Group*

DIMENSIONAL DRAWING



EXPLODED VIEW



ME Series 81

PARTS LIST

No.	Part No.	Description	Qty.
1	81120015	Manifold Ø 15	1
	81120115	Manifold Ø 18	1
2	36202551	Inlet Valve Guide	3
3	94737600	Inlet Spring, Ø9.4x14.8	3
4	36200176	Spherical Inlet Valve	3
5	90384100	O-ring, Ø17.13x2.62	3
6	36200366	Valve Seat	3
7	36711501	Inlet Valve Assy.	3
8	90384700	O-ring, Ø20.29x2.62	3
9	98222500	Plug, M24x1.5x16.7	3
10	99169000	Plunger Bolt	3
11	96690500	Washer Ø5.0x11.5x0.4	3
12	81210015	Front Cover	1
13	90367400	O-ring, Ø12x2	3
14	36211366	Valve Seat Outlet	3
15	36211276	Poppet Outlet Valve	3
16	94733300	Outlet Spring	3
17	36211151	Valve Guide	3
18	36719301	Outlet Valve Assy.	3
19	98213750	Valve Cap	3
20	90359300	O-ring Ø15.6x1.78	3
	58040109	Plunger Ø15x42	3
21	58040209	Plunger Ø18x42	3
	90385800	O-ring, Ø23.81x2.62, Ø15	3
	90386400	O-ring, Ø28.25x2.62, Ø18	3
22	81210870	Cartridge Bushing, KC, Ø15	3
	81210970	Cartridge Bushing, KC, Ø18	3
23	90384300	O-ring, Ø17.86x2.62 Ø15	3
	90385200	O-ring, Ø22.22x2.62 Ø18	3
24	99378950	Bolt M10x85 Zinc	8
	94749000	Spring, Ø19x17, Ø15	3
	94751900	Spring, Ø22x21.5, Ø18	3
25	81211256	Spring Ring, Ø15	3
	81211356	Spring Ring, Ø18	3
26	81211451	Scraper Ring, KC, Ø15	3
	81211551	Scraper Ring, KC, Ø18	3
27	90351800	O-ring, Ø20x1.5 Ø15	3
	90352000	O-ring, Ø23x1.5 Ø18	3
28	90552500	Sealing Ring, KC, Ø15x21x9	3
	90555000	Sealing Ring, KC, Ø18x24x9	3
29	90360400	O-ring Ø25.12x1.78 Ø15	6
	90361000	O-ring Ø29.87x1.78 Ø18	6

No.	Part No.	Description	Qty.
32	90516900	Anti-extrusion Ring Ø26x29x1 Ø15	3
	90517650	Anti-extrusion Ring Ø30x33x1.5 Ø18	3
33	90508930	Anti-extrusion Ring Ø15x21x1.5	3
	90510880	Anti-extruding Ring Ø18x24x1.5	3
34	81211070	Intermediate Ring, KC, Ø15	3
	81211170	Intermediate Ring, KC, Ø18	3
35	90260800	Sealing Ring, LP, Ø15x22x5	3
	90265000	Sealing Ring, LP, Ø18x24x5	3
36	81210670	Bottom Ring, Ø15	3
	81020770	Bottom Ring, Ø18	3
37	96738000	Washer Ø17.5x23x1.5	1
38	98210050	Plug, G3/8"x13	1
39	96751400	Washer, Ø21.5x27x1.5	1
40	98218700	Plug, G1/2"x10	2
41	99366800	Bolt M10x25	2
42	96698000	Washer, Ø7.5x18x0.5	3
43	82210782	Gasket Ø3x99	1
44	81010022	Crankcase	1
45	58210451	Drip Cover	1
46	90156550	Seal Ø15x24x5.0/7.0	3
47	81050066	Plunger Guide	3
48	97734000	Pin Ø10x29.5	3
49	44030022	Plunger Rod	3
50	99183700	Bolt M6x14	8
51	90385900	O-ring, Ø25.07x2.62	1
52	53210851	Oil Sight Glass	1
	44020335	Crank Shaft, (ME11511S,ME11811S)	1
	44020535	Crank Shaft, (ME11812S)	1
	44020635	Crank Shaft, (ME11513S,ME11813S)	1
	44022235	Crank Shaft, (ME11514S,ME11814S)	1
53	90067100	Stop Ring	1
	90063500	Stop Ring	1
54	53150100	Side Cover	1
55	90389800	O-ring, Ø56.82x2.62	1
56	91833100	Bearing	2
57	90164100	Oil Seal	1
58	91489200	Key, 8x7x35	1
59	98210500	Dip Stick	1
60	90392600	O-ring, Ø120.32x2.62	1
61	81160022	Rear Cover	1
62	98204250	Plug, G1/4"x9	1
63	90358500	O-ring, Ø10.82x1.78	1

REPAIR KITS

TORQUE SPECS*

Kit No	269	271	292	Plunger Ø15		Plunger Ø18	
				358	359	360	361
ITEM NO's INCLUDED IN KIT	2,3,4,5,6,13,14,15,16,(7),(18)	46	8,9,19,20	22,24,28,29,30,31,32,33,35	22,23,24,26,27,28,32,33,34,35	22,24,28,29,30,31,32,33,35	22,23,24,26,27,28,32,33,34,35
NUMBER OF CYLINDERS KIT WILL SERVICE	3	3	3	3	1	3	1

Position	Ft. Lbs.
9	6.64
10	4.43
19	44.25
25	18.44
38	29.5
40	29.5
41	33.19
50	14.75
64	14.75

* Decrease torque by 20% if threads are lubricated

