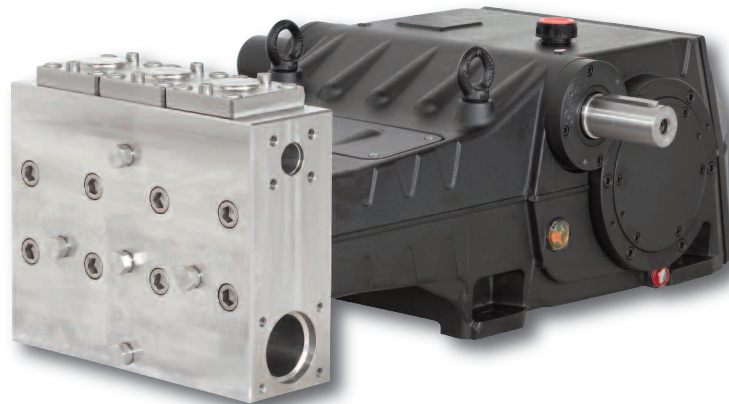


# LKN50/55/60 Series

## FEATURES

- High pressure, Triplex Plunger Pump, available in 5 flows
- Drive shaft with double projection
- Incorporated gear box available in 3 ratios: 1500 RPM=2.95:1, 1750 RPM=3.158:1 and 1900 RPM=3.389:1
- Double pressure packings
- Vertically fitted suction/delivery valves
- Splash lubrication
- Optional drain/priming valve kit



## MATERIALS

- Pump body in cast iron
- Manifold made of duplex F51 Stainless Steel
- Self-adjusting spherical roller bearings on crankshaft
- Forged steel connecting rods with antifriction bearings
- Crankshaft made of nitrided, hardened and tempered alloy steel
- Cast iron plunger guides, nickel treated
- Solid ceramic plungers
- Valves made in 17-4 Stainless Steel

## COMMON SPECIFICATIONS

- Maximum Inlet Pressure: ..... 45 PSI
- Maximum Fluid Temperature: ..... \*140° F
- Inlet Port Thread: ..... 3" NPT-F
- Discharge Port Thread: ..... 1-1/4" NPT-F
- Shaft Diameter: ..... 1.969"/50 mm
- Stroke: ..... 3.546"/90 mm
- Pump Dimensions: ..... 36.4" x 26.4" x 13.7"
- Crankcase Oil Capacity: ..... 473.5 oz. (14 liters)  
..... (use GP Series 220 Oil)
- Shipping Weight: ..... 829 lbs./376 kg

\*Please consult technical guide or GP Sales Representative for Temperature/Inlet Pressure Information.

Product Group: V

| MODEL   | GPM/LPM           | PSI/BAR          | RPM      | BORE            | HP  |
|---------|-------------------|------------------|----------|-----------------|-----|
| LKN5015 | 71.0 GPM/269 LPM  | 3335 PSI/300 BAR | 1500 RPM | 1.969 in./50 mm | 161 |
| LKN5017 | 77.6 PSI/294 LPM  | 3335 PSI/300 BAR | 1750 RPM | 1.969 in./50 mm | 176 |
| LKN5515 | 86.1 GPM/326 LPM  | 2755 PSI/190 BAR | 1500 RPM | 2.165 in./55 mm | 161 |
| LKN5517 | 93.7 GPM/355 LPM  | 2755 PSI/190 BAR | 1750 RPM | 2.165 in./55 mm | 176 |
| LKN6015 | 102.4 GPM/388 LPM | 2320 PSI/160 BAR | 1500 RPM | 2.362 in./60 mm | 161 |
| LKN6017 | 111.7GPM/423 LPM  | 2320 PSI/160 BAR | 1750 RPM | 2.362 in./60 mm | 176 |

How to order/Examples of Part Numbers:

Start with Model

RPM (ex.: 15=1500 RPM)

↓  
LKN55

↓  
15

So the Part Number in the Above Example: **LKN5515** (Model is LKN55, with an RPM of 1500.)

## PUMP OPTIONS

- "F" version features flushing option
- "G" version suitable for pumping high-temperature glycols (up to 140°F)



General Pump  
is a member of  
The Interpump Group



## ACCESSORIES

### REGULATORS

#### ■ R1X

18.5-29.0 GPM  
2900-8700 PSI  
316 SS



#### ■ RX3

120.0-132.0 GPM  
1450-4350 PSI  
Stainless Steel



#### ■ YVS280SS

21.0 GPM  
4500 PSI



### SAFETY DEVICES

#### ■ SX2

50.0 GPM  
1450-5899 PSI



#### ■ SX3

132.0 GPM  
2900-4350 PSI



### PULSATION DAMPENERS

#### ■ A7X

16.0 GPM  
3050 PSI  
316 SS



#### ■ A15X

105.6 GPM  
2150 PSI  
316 SS



### UNLOADERS

#### ■ YVB280SS

21.0 GPM  
4500 PSI

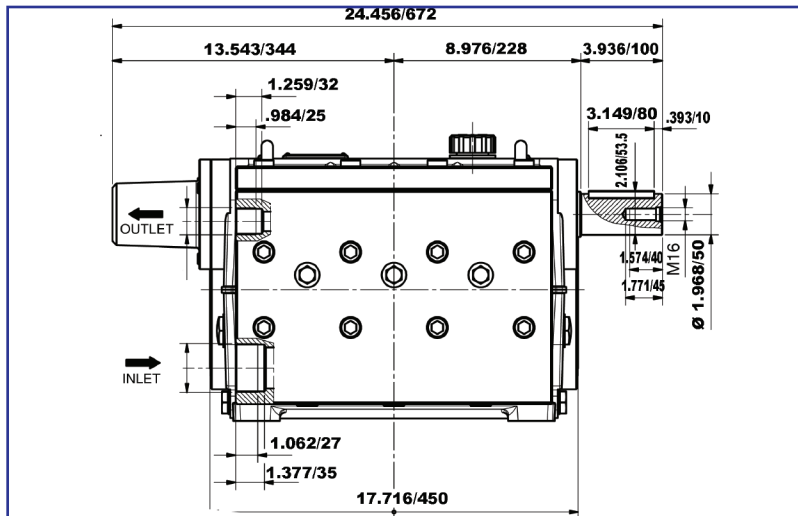
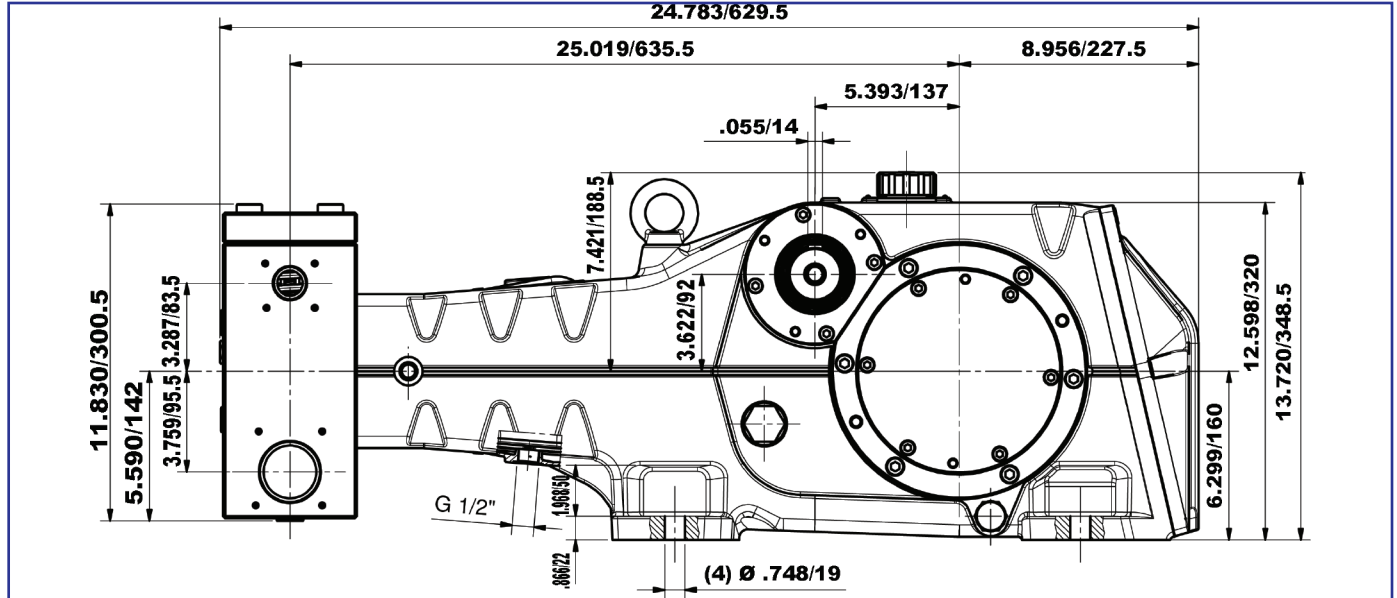


#### ■ YU2122SS

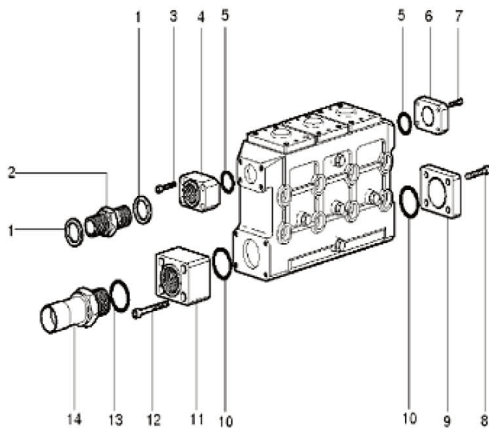
21.0 GPM  
2200 PSI



### OVERALL DIMENSIONS



### FITTINGS



| Item | P/N        | Description            | Kit   | Kit Qty. |
|------|------------|------------------------|-------|----------|
| 1    | F030300090 | 1-1/4" Seal Ring       | A     | 2        |
| 2    | F084200190 | 1-1/4" G Nipple        | A     | 1        |
| 3    | F035000190 | Screw, M12 x 60        | B     | 4        |
| 4    | F073200040 | Mounting Block         | B     | 1        |
| 5    | F881011250 | O-ring, 42 x 4         | B - C | 1        |
| 6    | F063200090 | Closed Flange          | C     | 1        |
| 7    | F871131704 | Screw, M12 x 35, Spec. | C     | 4        |
| 8    | F871125606 | Screw, M10 x 30        | D     | 4        |
| 9    | F063200080 | Inlet Flange           | D     | 1        |
| 10   | F881011254 | O-ring, 85 x 4l        | D - E | 1        |
| 11   | F073200030 | Inlet Flange           | E     | 1        |
| 12   | F871125612 | Screw, M10 x 60        | E     | 4        |
| 13   | F881011171 | O-ring, 90 x 3         | F     | 1        |
| 14   | F073200020 | Hose Fitting           | F     | 1        |

| KIT   | CODE | KIT   | CODE |
|-------|------|-------|------|
| F1174 | A    | F1229 | D    |
| F1227 | B    | F1230 | E    |
| F1228 | C    | F1231 | F    |

Ref 300861 Rev A  
10-11