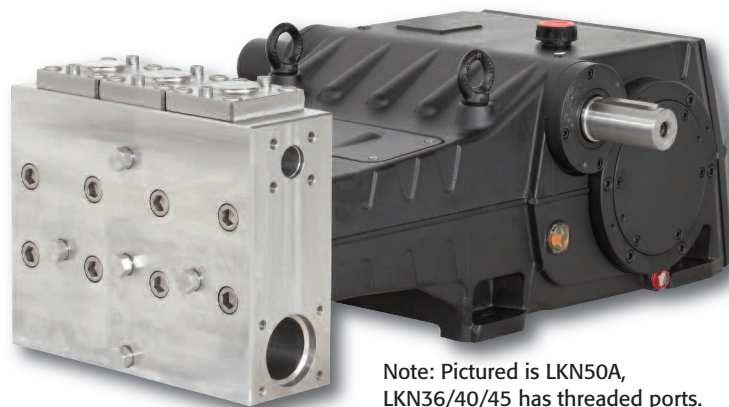


LKN36/40/45 Series

FEATURES

- High pressure, Triplex Plunger Pump, available in 5 flows
- Drive shaft with double projection
- Incorporated gear box available in 3 ratios: 1500 RPM=2.95:1, 1750 RPM=3.158:1 and 1900 RPM=3.389:1
- Double pressure packings
- Vertically fitted suction/delivery valves
- Splash lubrication
- Optional drain/priming valve kit



Note: Pictured is LKN50A, LKN36/40/45 has threaded ports.

MATERIALS

- Pump body in cast iron
- Manifold made of duplex F51 Stainless Steel
- Self-adjusting spherical roller bearings on crankshaft
- Forged steel connecting rods with antifriction bearings
- Crankshaft made of nitrided, hardened and tempered alloy steel
- Cast iron plunger guides, nickel treated
- Solid ceramic plungers
- Valves made in 17-4 Stainless Steel

COMMON SPECIFICATIONS

- Maximum Inlet Pressure: 45 PSI
- Maximum Fluid Temperature: *140° F
- Inlet Port Thread: 2" NPT-F
- Discharge Port Thread: 1" NPT-F
- Shaft Diameter: 1.969"/50 mm
- Stroke: 3.546"/90 mm
- Pump Dimensions: 36.4" x 26.4" x 13.7"
- Crankcase Oil Capacity: 473.5 oz. (14 liters)
..... (use GP Series 220 Oil)
- Shipping Weight: 829 lbs./376 kg

*Please consult technical guide or GP Sales Representative for Temperature/Inlet Pressure Information.

Product Group: V

MODEL	GPM/LPM	PSI/BAR	RPM	BORE	HP
LKN3615	37.0 GPM/140 LPM	5800 PSI/400 BAR	1500 RPM	1.417 in./36 mm	145
LKN3617	40.1 PSI/152 LPM	5800 PSI/400 BAR	1750 RPM	1.417 in./36 mm	158
LKN4015	45.7 GPM/173 LPM	5075 PSI/350 BAR	1500 RPM	1.575 in./40 mm	157
LKN4017	40.0 GPM/151 LPM	5075 PSI/350 BAR	1750 RPM	1.575 in./40 mm	171
LKN4515	57.6 GPM/218 LPM	4060 PSI/280 BAR	1500 RPM	1.772 in./45 mm	159
LKN4517	62.8 GPM/238 LPM	4060 PSI/280 BAR	1750 RPM	1.772 in./45 mm	173

How to order/Examples of Part Numbers:

Start with Model

RPM (ex.: 15=1500 RPM)

↓
LKN45

↓
15

So the Part Number in the Above Example: **LKN4515** (Model is LKN45, with an RPM of 1500.)

PUMP OPTIONS

- "F" version features flushing option
- "G" version suitable for pumping high-temperature glycols (up to 140°F)



General Pump
is a member of
The Interpump Group



ACCESSORIES

REGULATORS

■ R1X

18.5-29.0 GPM
2900-8700 PSI
316 SS



SAFETY DEVICES

■ SX2

50.0 GPM
1450-5899 PSI



UNLOADERS

■ YVB280SS

21.0 GPM
4500 PSI



■ RX3

120.0-132.0 GPM
1450-4350 PSI
Stainless Steel



■ SX3

132.0 GPM
2900-4350 PSI



■ YU2122SS

21.0 GPM
2200 PSI



PULSATION DAMPENERS

■ YVS280SS

21.0 GPM
4500 PSI



■ A7X

16.0 GPM
3050 PSI
316 SS



■ A15X

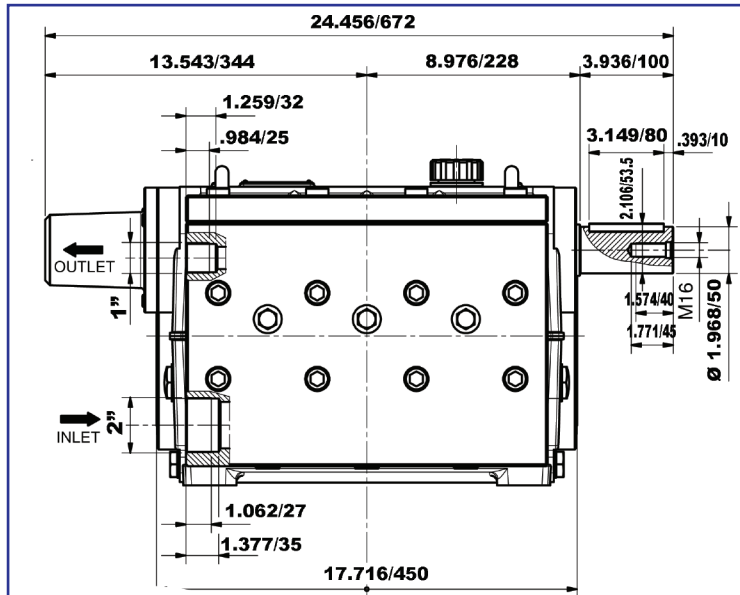
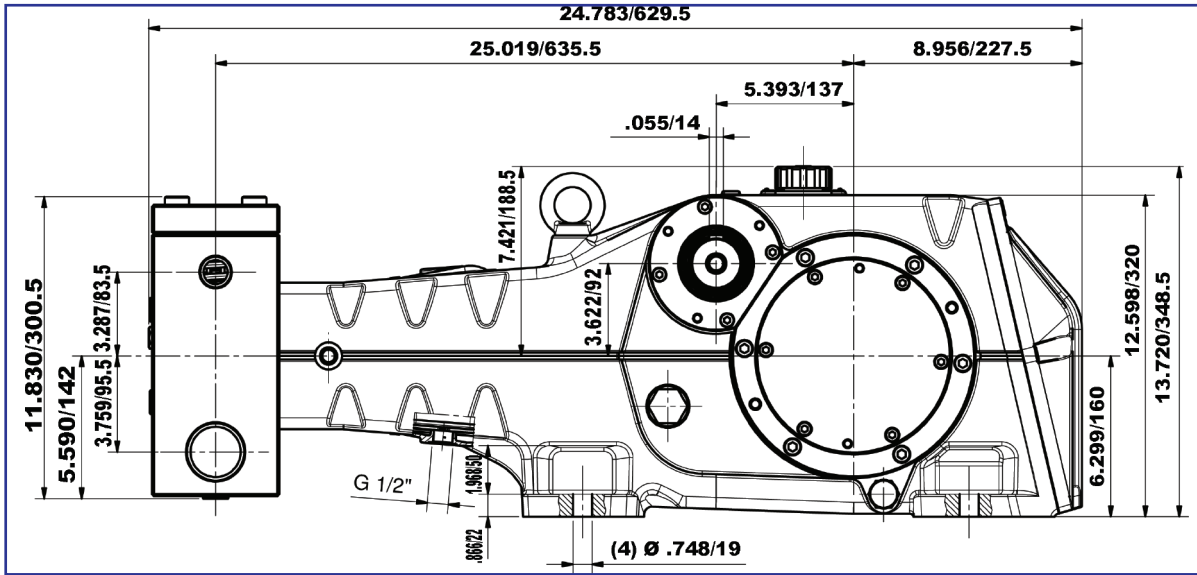
105.6 GPM
2150 PSI
316 SS



LKN36/40/45 series

Technical Details

OVERALL DIMENSIONS



Ref 300860 Rev A
10-11