

ACCESSORIES

REGULATORS

■ R2

61.0 GPM
3050 PSI



■ RV3

53.0-132.0
GPM
3050-4350 PSI



■ PNR2

61.0 GPM
3050 PSI



■ PN3

79.0-132.0 GPM
2350-4350 PSI



GUNS / LANCES

■ ZP87SSL19/39/19S/39S

15.85 GPM
8700 PSI



■ YG7221/L31-YG7221/51

21.0 GPM
7250 PSI



■ YRL56L

8.0 GPM
5650 PSI



SAFETY DEVICES

■ SV3

132.0 GPM
2900-4350 PSI



■ SX3

132.0 GPM
2900-4350 PSI



PULSATION DAMPENERS

■ A15

105.6 GPM
4750 PSI



■ A15X

105.6 GPM
2150 PSI
316 SS



UNLOADERS

■ RA2

61.0 GPM
3050 PSI



■ RA2L

61.0 GPM
3050 PSI



■ ZKBH3030

29.0 GPM
3050 PSI



■ PN2

61.0 GPM
7250 PSI



MISCELLANEOUS

■ 320001/ 320003

3000/5000 PSI
Pressure
Gauge



■ 190600

Priming Drain
Valve Kit



■ 639276

125.0 GPM
50/297
Mesh/Micron
Filter



■ 190448

Oil Drain Kit

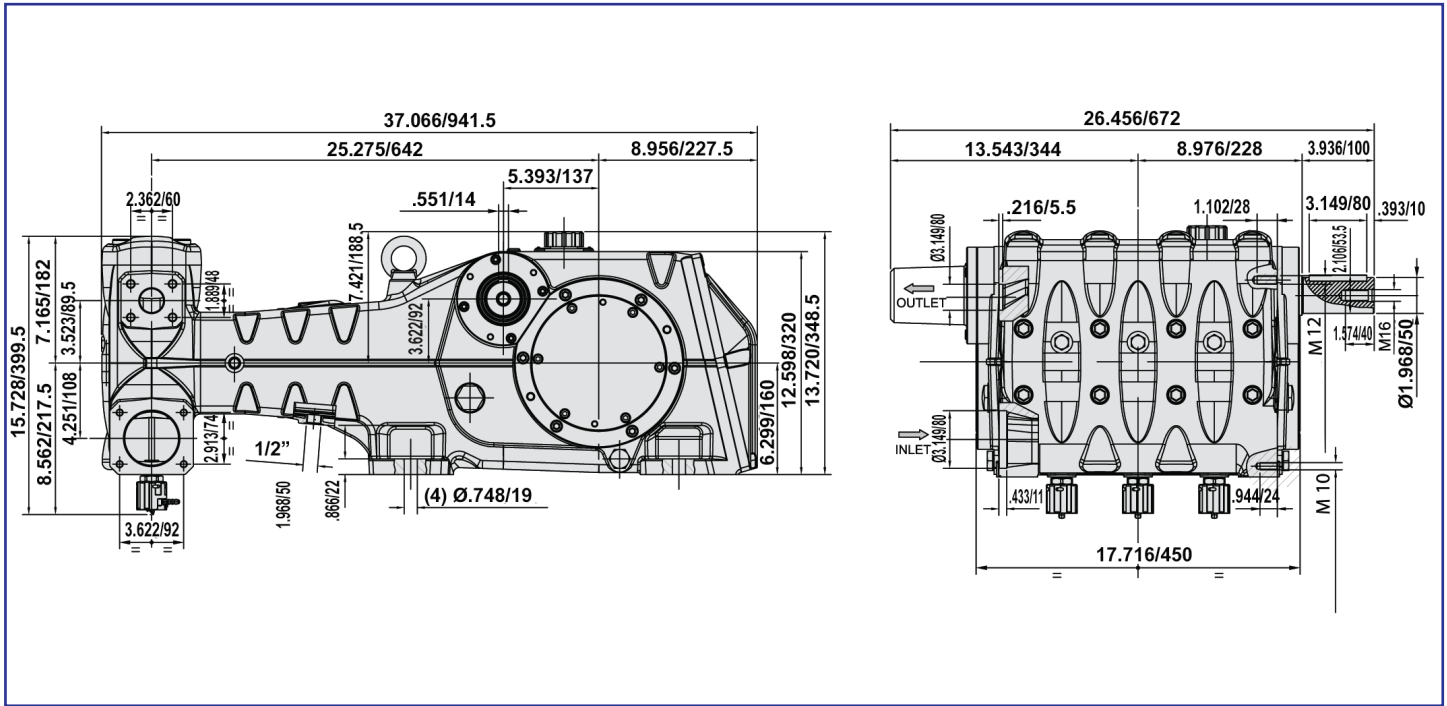




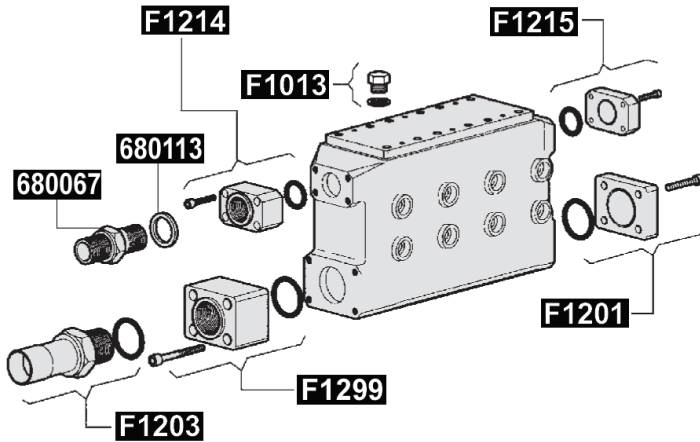
LK50/55/60 series

Technical Details

OVERALL DIMENSIONS



CONNECTION KITS



F1013	Discharge Plug, 1/4 G
680113	1-1/4" Seal Ring
680067	1-1/4" G x 1-1/4" NPT-M
F1201	Closed Inlet Flange
F1299	Open Inlet Flange, 3" NPT
F1203	Inlet Hose Fitting, 90 mm
F1214	Inlet Adapter Fitting
F1215	Discharge Flange

Note: Fittings Not Included; See Fittings On Page 58 for More Options

Pump Includes Set of (3) F20030170 Priming/Drain Valves

Ref 300856 Rev B
07-16

