

KV Series

FEATURES

- High pressure, triple plunger pump
- Patent-pending symmetrical power end featuring top and bottom mounting holes allowing for easy left to right shaft conversion
- Low-high pressure packing design with integrated cooling system
- Horizontally fitted in-line valves
- Splash lubrication
- SAE-B hydraulic drive options available
- 420 SS manifold



MATERIALS

- High resistance light alloy crankcase
- Stainless steel manifold
- Taper roller bearings
- Special antifriction light alloy, connecting rods
- Forged alloy steel crankshaft, hardened, tempered and nitrided
- Cast iron piston guide, nickel treated
- Solid ceramic plungers
- Stainless steel valves

COMMON SPECIFICATIONS

- Maximum Inlet Pressure: 75 - 100 PSI
- Maximum Fluid Temperature: *86° F
- Inlet Port Thread: 3/4" BSP-F
- Discharge Port Thread: 1/2" G Special
- Shaft Diameter: 1.181"/30 mm
- Stroke:0905"/23 mm
- Pump Dimensions: 18.2" x 14.3" x 7.2"
- Crankcase Oil Capacity: 128.5 oz. (3.8 liters)
 (use GP Series 220 Oil)
- Shipping Weight: 88 lbs./39.92 kg

Product Group: V

*Please consult technical guide or GP Sales Representative for Temperature/Inlet Pressure Information.

Note: All models come standard with crankshaft on right side (when facing manifold), specify "L" when ordering left hand version.

MODEL	GPM/LPM	PSI/BAR	RPM	BORE	EBHP
KV12	4.1 GPM/15.2 LPM	16000 PSI/1103.2 BAR	1750 RPM	.472 in/12 mm	44.9
KV14	5.5 GPM/20.8 LPM	11600 PSI/799.8 BAR	1750 RPM	.551 in/14 mm	43.7

Volumes are theoretical at 100% volumetric efficiency.

PUMP OPTIONS

- SAE-B hydraulic drive bell housing and flexible couplers available



General Pump
is a member of
The Interpump Group



Ref 310091 Rev. D
02-21



ACCESSORIES

SAFETY DEVICES

■ SV2
50.0 GPM
1450-8700PSI



■ S1503/S1510
2.6-26.4 GPM
6960-10150 PSI



■ SV12
26.4 GPM
11600-21750 PSI



GUNS / LANCES

■ P12
21.0 GPM
21750 PSI



■ P45/P47
21.0 GPM
7250 PSI



■ PS12
21.0 GPM
21750 PSI
Submersible



DUMP VALVES

■ FPN12
21.0 GPM
3050 PSI



■ FPN14
21.0 GPM
21750 PSI



MISCELLANEOUS

■ 320004
20000 PSI
Pressure
Gauge



■ VP12
21.0 GPM
21750 PSI
Foot Valve



■ ZRMAX
1.4-13.9 GPM
11000/22000 PSI
Rotating Nozzle



■ Y7K
7000 PSI
Rotating
Nozzle

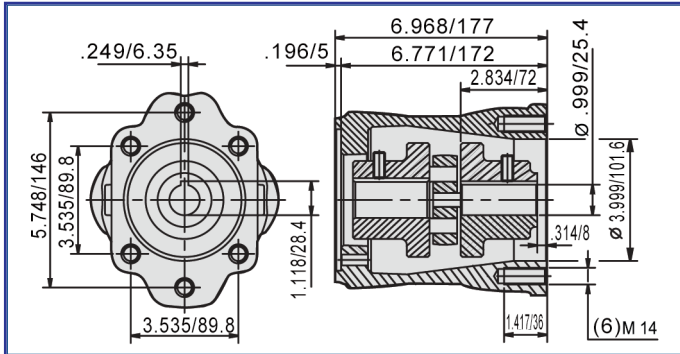


■ 190448
Oil Drain Kit





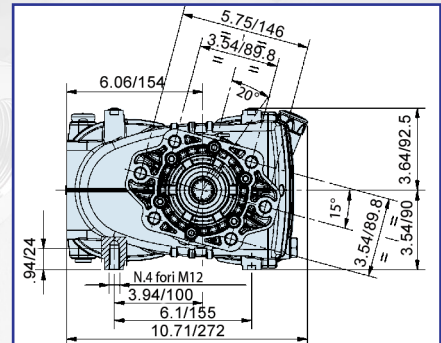
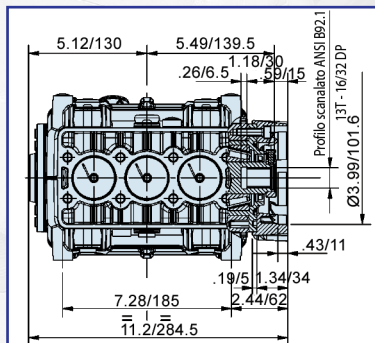
DRIVE OPTIONS



SAE-J 744-B hydraulic bell housing and flexible coupler.

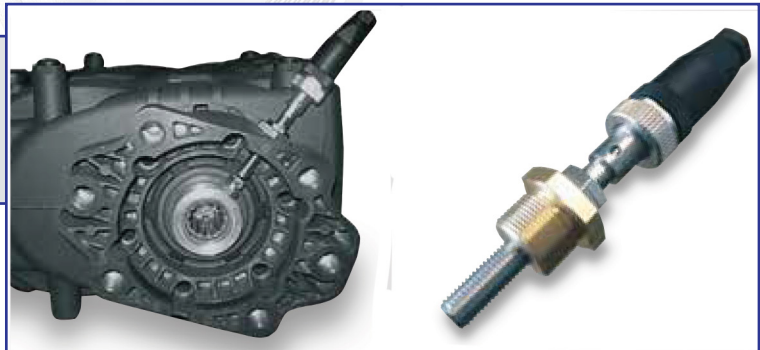


**SAE J744-B Spline Shaft
13T 16/32 DP Hydraulic Drive.**



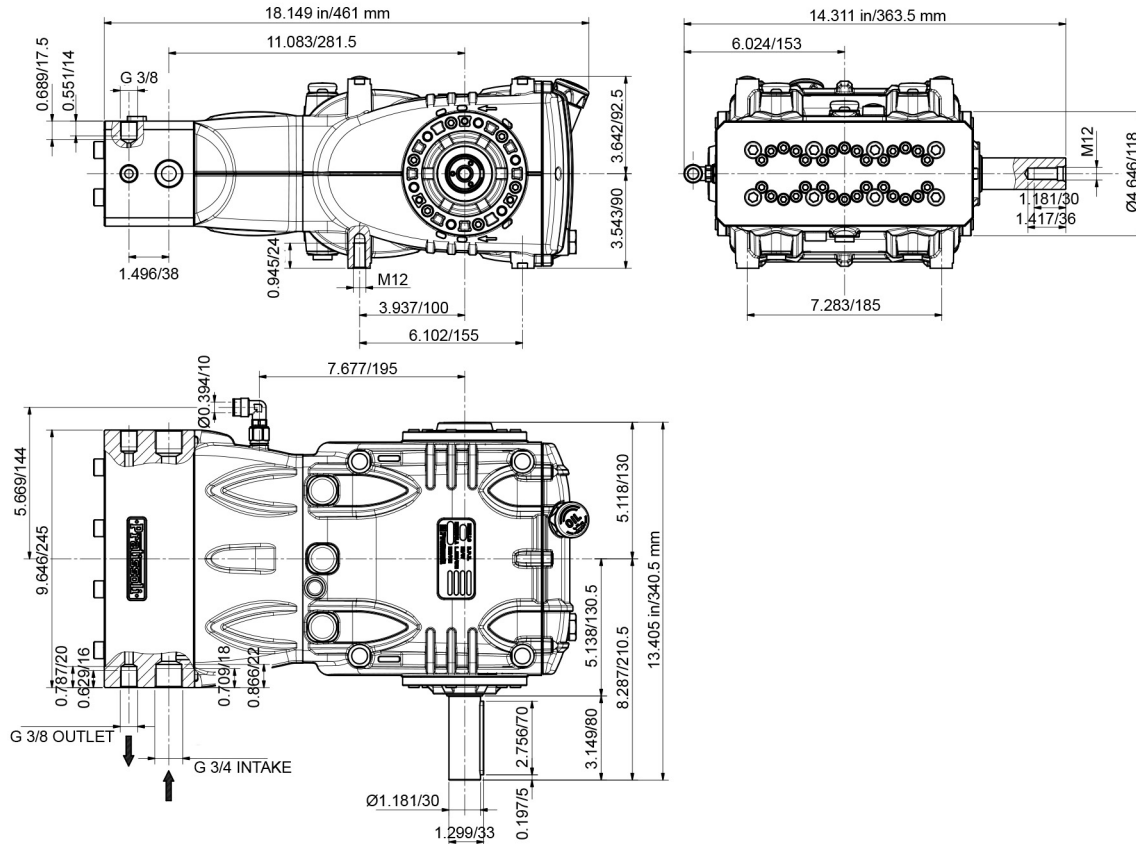
ZRPM1 RPM Counter

Inductive proximity sensor, c/w female connector M12 4 pin, IP67, field attachable, ring nut reduction M18 x 1.
Power Supply: 12/24 VDC

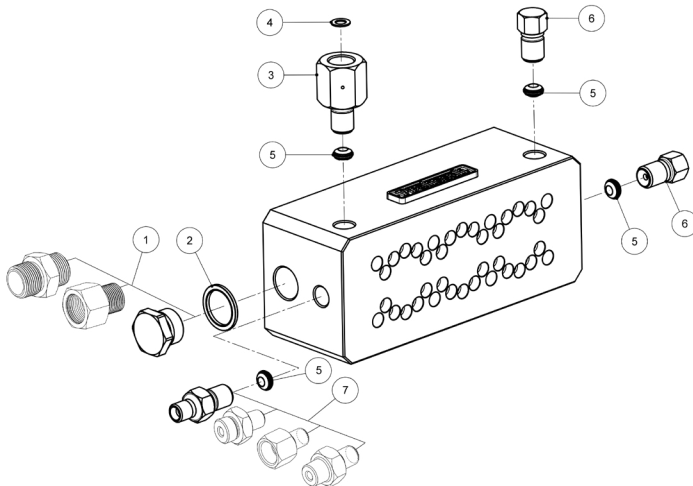




OVERALL DIMENSIONS



CONNECTION KITS



Item	Part No.	Description	Kit	Kit Qty.
1	680065	Nipple, G 3/4" - NPT 3/4" F	N/A	N/A
	680058	Nipple, G 3/4" - NPT 3/4" M	N/A	N/A
	F98226600	Plug, G 3/4"	A	1
2	F93198000	3/4" Seal Ring	A	1
3	F95262500	Gauge Fitting, 3/8" Special	B	1
4	F872040100	Copper Washer	B	1
5	F93185700	3/8" Conical Seal, Each Pump Comes with 4 Pieces	B-C-D-E-F-G-H	1
Discharge Ports - All 3/8" G Special Fittings Must Utilize F93185700 Conical Seal				
6	F98208900	3/8" Plug, Special G Thread	C	1
	F95263000	Nipple, M-M, G 3/8" Special - G 1/4"	D	1
	F95263200	Nipple, M-M, G 3/8" Special - G 3/8"	E	1
	F95272500	Nipple, M-M, G 3/8" Special - M14 x 1.5	F	1
	F95272800	Nipple, M-M, G 3/8" Special - M20 x 1.5	G	1
	520415	Nipple, M-M, G 3/8" Special - G 1/2"	N/A	N/A
	520416	Nipple, M-M, G 3/8" Special - 1/2" NPT*	N/A	N/A
520417	Nipple, M-F, G 3/8" Special - 1/2" NPT*	N/A	N/A	

* NPT for use at 15,000 PSI or less

Kit	Code
F2377	A
F2378	B
F2379	C
F2380	D
F2381	E
F2382	F
F2383	G