

# KT24A/28A/30A/32A /36A /40A Series

## FEATURES

- High pressure, Triplex Plunger Pump, available in 4 flows
- Double pressure packings standard, KTRX24A/KTRX28A has "R" style
- Pressure packing integrated cooling system
- Horizontally fitted in-line valves
- Splash lubrication
- SAE "B" hydraulic drive available

## MATERIALS

- High resistance light alloy crankcase
- Cast iron manifold standard, KTRX24A/KTRX28A has 420SS
- Tapered roller rim bearings
- Special anti-friction light alloy connecting rods
- Forged alloy steel crankshaft, hardened, tempered and nitrided
- Cast iron plunger guide, nickel treated
- Solid ceramic plungers
- Stainless steel valves

Product Group: V



## COMMON SPECIFICATIONS

- Maximum Inlet Pressure: . . . . . 45 PSI
- Minimum Inlet Pressure: . . . . . PSI
- Maximum Fluid Temperature: . . . . . \*140° F
- Inlet Port Thread: . . . . . 1-1/4" NPT-F
- Discharge Port Thread: . . . . . 1" NPT-F
- Shaft Diameter: . . . . . 1.181"/30 mm
- Stroke: . . . . . 1.102"/26 mm
- Pump Dimensions: . . . . . 15.55" L x 13.4" W x 7.6" H
- Crankcase Oil Capacity: . . . . . 67.6 oz. (2 liters)  
(use GP Series 220 Oil)
- Shipping Weight: . . . . . 77 lbs./35 kg

\*Please consult technical guide or GP Sales Representative for Temperature/Inlet Pressure Information.

MODEL	GPM/LPM	PSI/BAR	RPM	BORE	HP
KT24A*	16.4 GPM/62 LPM	2900 PSI/200 BAR	1750 RPM	.845 in./24 mm	32
KT28A*	22.2 GPM/84 LPM	2540 PSI/175 BAR	1750 RPM	1.102 in./28 mm	38
KT30A	25.4 GPM/96 LPM	2175 PSI/150 BAR	1750 RPM	1.181 in./30 mm	37
KT32A	29.1 GPM/110 LPM	1750 PSI/120 BAR	1750 RPM	1.259 in./32 mm	34
KT36A	33.1 GPM/125 LPM	1813 PSI/125 BAR	1580 RPM	1.417 in./36 mm	41
KT40A	37.5 GPM/142 LPM	1450 PSI/100 BAR	1450 RPM	1.574 in./40 mm	37

Volumes are theoretical at 100% volumetric efficiency.

- KTRX24A & KTRX28A - Feature run dry packings and 420 stainless steel manifold.



KT pump shown with hydraulic flange SAE B

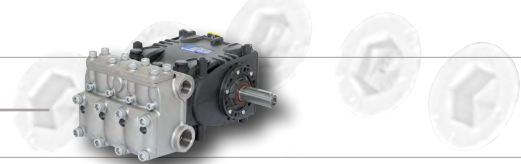


General Pump  
is a member of  
The Interpump Group

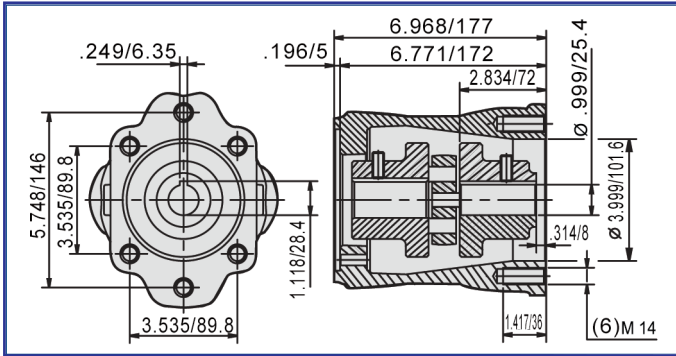


# KT24A/28A/30A/32A series

## Technical Details



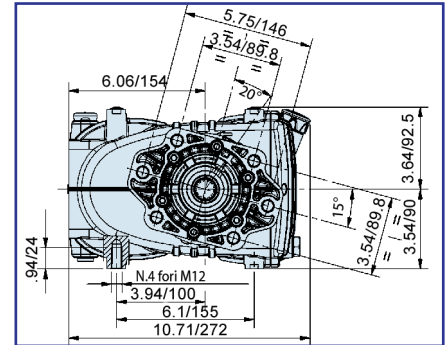
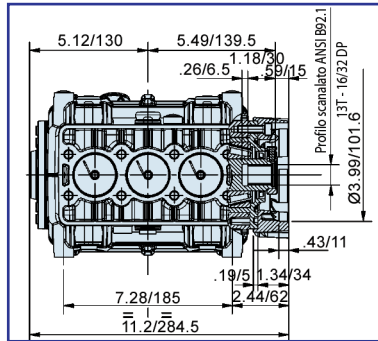
### DRIVE OPTIONS



SAE-J 744-B hydraulic bell housing and flexible coupler.



SAE J744-B Spline Shaft  
13T 16/32 DP Hydraulic Drive.



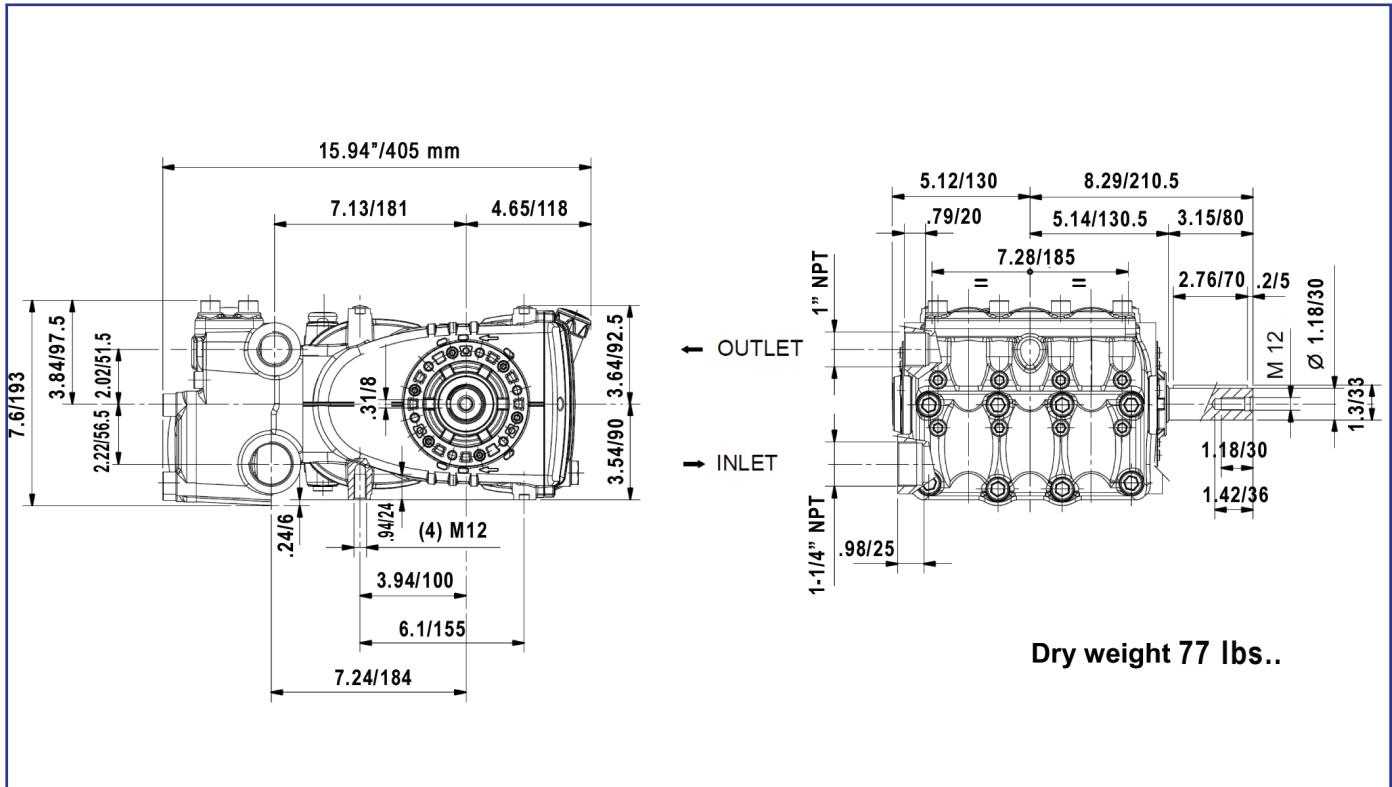
### ZRPM1 RPM Counter

Inductive proximity sensor, c/w female connector M12 4 pin, IP67, field attachable, ring nut reduction M18 x 1.  
 Power Supply: 12/24 VDC





### OVERALL DIMENSIONS



### WARNINGS



**WARNING: High Pressure Systems require a primary pressure regulating device (i.e. regulator, unloader) and a secondary pressure relief device (i.e. pop-off valve, relief valve). Failure to install such relief devices properly could result in personal injury or damage to pump or property. GP does not assume any liability or responsibility for the operation of the user's high pressure system.**



WARNING: This product can expose you to chemicals including lead, which is known to the state of California to cause cancer and birth defects or other reproductive harm. For more information, go to [www.P65Warnings.ca.gov](http://www.P65Warnings.ca.gov)