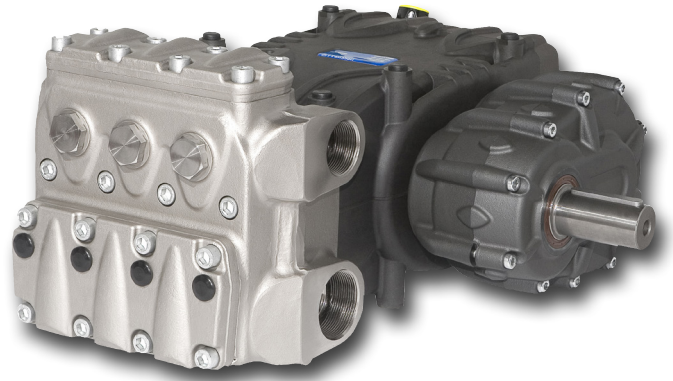


KS Series

FEATURES

- A "New Generation" Pump
- Triplex Plunger Pump, available in 4 flows
- Patent-pending, symmetrical power end design featuring top and bottom mounting holes allowing for easy left to right shaft conversion
- Low-high pressure packing design with integrated cooling system
- High volumetric efficiency suction/delivery valves featuring new spherical design of sealing areas
- Splash lubrication
- Available with external gear box in three ratios and positionable on left or right (direct drive only)
- SAE-C hydraulic drive bell housing and flexible couplers available
Available without gearbox for belt driven and hydraulic drive options.



MATERIALS

- High resistance light alloy die cast aluminum crankcase
- 420 Stainless steel manifold, nickel treated
- Taper roller bearings
- Special antifriction, forged, light alloy connecting rods
- Forged alloy steel crankshaft, hardened, tempered and nitrided
- Cast iron piston guide, nickel treated
- Solid ceramic plungers
- Stainless steel valves

Product Group: V

*Please consult technical guide or GP Sales Representative for Temperature/Inlet Pressure Information.

COMMON SPECIFICATIONS

- Maximum Inlet Pressure: 45 PSI
- Maximum Fluid Temperature: *140° F
- Inlet Port Thread: 2" NPT-F
- Discharge Port Thread: 1-1/2" NPT-F
- Shaft Diameter: 1.575"/40 mm
- Stroke: 1.969"/50 mm
- Pump Dimensions: 23" x 19" x 11"
- Crankcase Oil Capacity: 162.3 oz. (4.8 liters)
 (use GP Series 220 Oil)
- Shipping Weight: 212 lbs./96 kg

Note: All models come standard with crankshaft on right side (when facing manifold), specify "L" after part number when ordering left hand version.

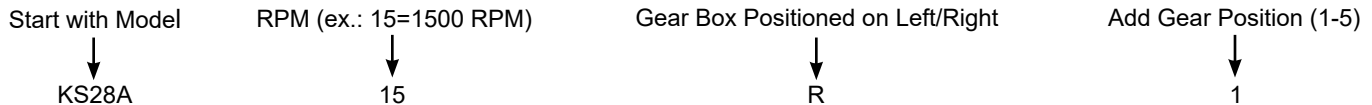
MODEL	GPM/LPM	PSI/BAR	RPM	BORE	HP
KS28A*	24.0 GPM/91 LPM	4000 PSI/276 BAR	1000 RPM	1.102 in./28 mm	67.0
KS28A	29.1 GPM/110 LPM	3650 PSI/250 BAR	1200 RPM	1.102 in./28 mm	72.0
KS32A	38.3 GPM/145 LPM	2900 PSI/200 BAR	1200 RPM	1.259 in./32 mm	75.0
KS36A	48.3 GPM/183 LPM	2350 PSI/160 BAR	1200 RPM	1.417 in./36 mm	76.0
KS40A	59.7 GPM/226 LPM	2000 PSI/138 BAR	1200 RPM	1.575 in./40 mm	81.0

*Intermittent Duty

Volumes are theoretical at 100% volumetric efficiency.

How to order/Examples of Part Numbers:

When ordering with gear box:



So the Part Number in the Above Example: **KS28A15R1**
 (Model is KS28A, with an RPM of 1500, gear box positioned on right side of pump, in the first position.)

PUMP OPTIONS

- "F" version features flushing option
- "R" version features Kevlar/Graphite packings suitable for run dry (Max. Temp 185° F)
- Available with external gear box (direct drive only)
- SAE-J 744-C hydraulic drive bell housing and flexible couplers available



General Pump
 is a member of
 The Interpump Group



Ref 300740 Rev F
 01-21



ACCESSORIES

REGULATORS

■ R2

61.0 GPM
3050 PSI



■ RX3

120-132.0 GPM
1450-4350 PSI
316 SS



■ PNRA2

61.0 GPM
3050 PSI



■ PN3

79.0-132.0 GPM
2350-4350 PSI



GUNS / LANCES

■ ZP87SSL19/39/19S/39S

15.85 GPM
8700 PSI



■ YG7221/L31-YG7221/51

21.0 GPM
7250 PSI



■ YRL56L

8.0 GPM
5650 PSI



SAFETY DEVICES

■ SV2

50.0 GPM
1450-8700PSI



■ SV3

132.0 GPM
1450-4350 PSI



PULSATION DAMPENERS

■ A7S

43.0 GPM
4750PSI



■ A7X

43.0 GPM
2150 PSI



■ A15

105.6 GPM
4750 PSI



■ A15X

105.6 GPM
2150 PSI
316 SS



UNLOADERS

■ RA2

61.0 GPM
3050 PSI



■ ZKBH3030

29.0 GPM
3050 PSI



■ YBRV5325

53.0 GPM
2900 PSI



MISCELLANEOUS

■ 320001/
320003

3000/5000 PSI
Pressure
Gauge



■ ZRMAX

1.4-13.9 GPM
11000/22000 PSI
Rotating
Nozzle



■ Y7K

7000 PSI
Rotating
Nozzle



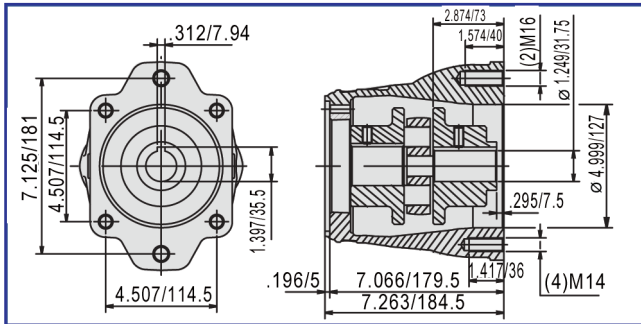
■ 639273

55.0 GPM
50/297 Mesh/
Micron
Filter





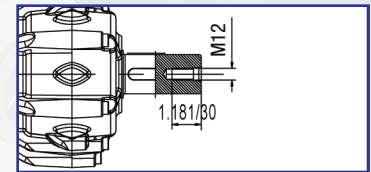
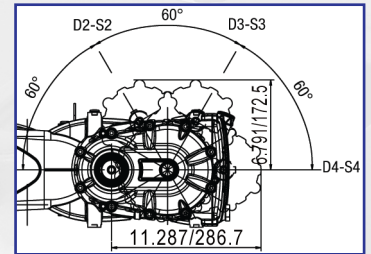
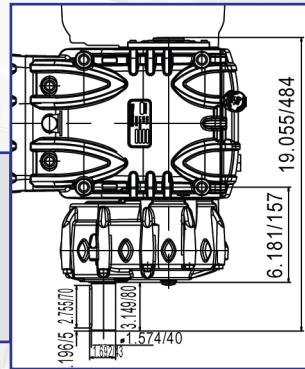
DRIVE OPTIONS



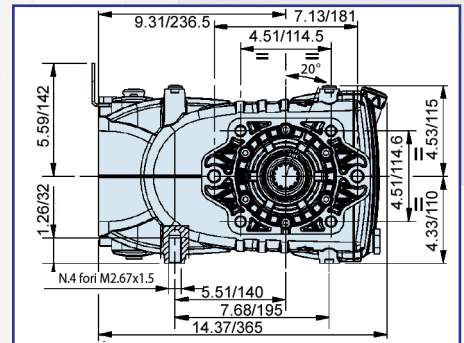
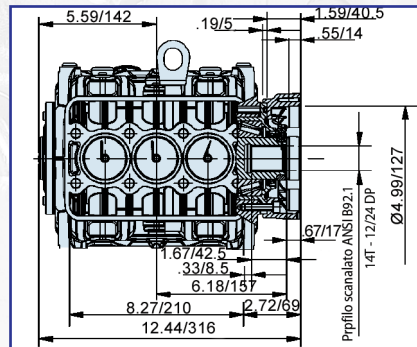
SAE-C hydraulic bell housing and flexible coupler.

Gearbox

KS pumps can be supplied with an optional gearbox available in 3 different ratios. The gearbox can be mounted on the left or right side of the pump in 4 different angles, at your choice. Gearbox ratios: R=1.125:1, R=1.150:1, R=1.183:1



**SAE J744-C Spline Shaft
14T 12/24 DP Hydraulic
Drive.**



ZRPM1 RPM Counter

Inductive proximity sensor, c/w female connector M12 4 pin, IP67, field attachable, ring nut reduction M18 x 1. Power Supply: 12/24 VDC

