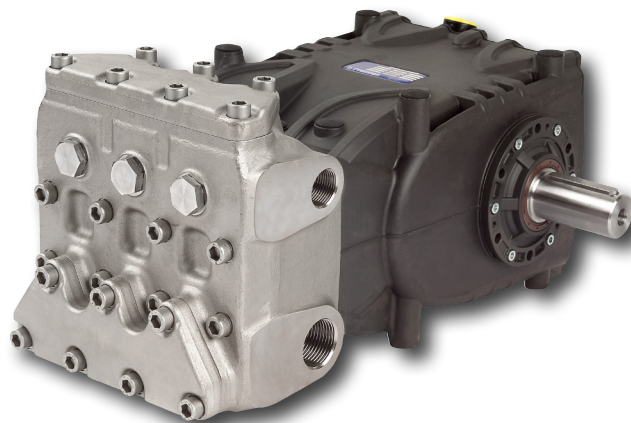


KFRZ Series

FEATURES

- High pressure, Triplex Plunger pump
- Patented symmetrical power end design featuring top and bottom mounting holes allowing for easy left to right shaft conversion
- Low-high pressure packing design with integrated cooling system
- High volumetric efficiency suction/delivery valves featuring new spherical design of sealing areas
- Splash lubrication
- High performance aluminum alloy connecting rods and a floating wrist pin enable extra load at half the weight. This reduces vibrations and off center loads on the bearing for longer life and quieter operation
- SAE-C hydraulic drive available
- "R" Packings to allow small particulates - Ideal for salt water disposal



COMMON SPECIFICATIONS

- Maximum Inlet Pressure: 45 PSI
- Maximum Fluid Temperature: *185° F
- Inlet Port Thread: 1-1/2" NPT-F
- Discharge Port Thread: 1" NPT-F
- Shaft Diameter: 1.575"/40 mm
- Stroke: 1.969"/50 mm
- Pump Dimensions: 20.7" x 14.5" x 9.9"
- Crankcase Oil Capacity: 128.5 oz. (3.8 liters)
..... (use GP Series 220 Oil)
- Shipping Weight: 150 lbs./68 kg

*Please consult technical guide or GP Sales Representative for Temperature/Inlet Pressure Information.

MATERIALS

- High resistance light alloy crankcase
- 316 stainless steel manifold
- Taper roller bearings
- Special antifriction light alloy, forged, connecting rods
- Forged alloy steel crankshaft, hardened, tempered and nitrided
- Cast iron piston guide, nickel treated
- Solid ceramic plungers
- 316 stainless steel valves

Product Group: V

Note: All models come standard with crankshaft on right side (when facing manifold), specify "L" when ordering left hand version.

MODEL	GPM/LPM	PSI/BAR	RPM	BORE	EBHP
KFRZ36A	32.2 GPM/122 LPM	2300 PSI/160 BAR	800 RPM	1.417 in./36 mm	50.0
KFRZ36A	36.2 GPM/137 LPM	2050 PSI/140 BAR	900 RPM	1.417 in./36 mm	50.0
KFRZ36A	40.0 GPM/153 LPM	1900 PSI/130 BAR	1000 RPM	1.417 in./36 mm	52.0

Volumes are theoretical at 100% volumetric efficiency.

PUMP OPTIONS

- "F" version features flushing option
- Available with external gear box (direct drive only)
- SAE-C hydraulic drive available



General Pump
is a member of
The Interpump Group

Ref 310139 Rev. B
01-21



ACCESSORIES

REGULATORS

■ R1X/200A

29.0 GPM
2900 PSI
316 SS



■ R1X/400A

29.0 GPM
5800 PSI
316 SS



■ R1X/600A

29.0 GPM
8700 PSI
316 SS



■ ZKSX1

16.0 GPM
3600 PSI
316 SS



■ YVS280SS

21.0 GPM
4500 PSI



SAFETY DEVICES

■ SX2

50.0 GPM
1450-5899 PSI



PULSATION DAMPENERS

■ A4X

16.0 GPM
3050PSI



■ A7X

16.0 GPM
3050PSI
316 SS



UNLOADERS

■ ZK3608SS

7.92 GPM
3600 PSI



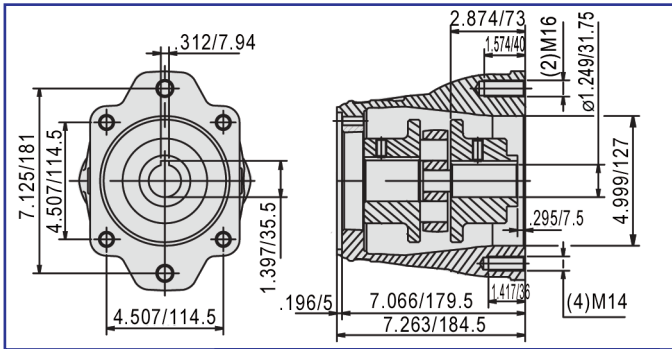
■ YVB280SS

21.0 GPM
4500 PSI

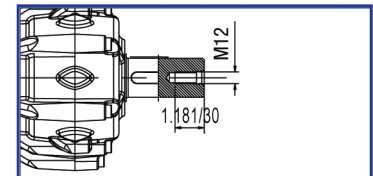
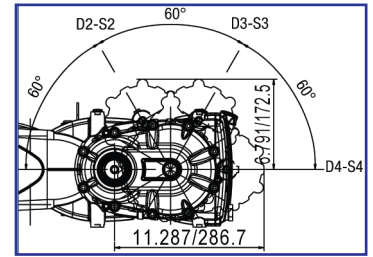
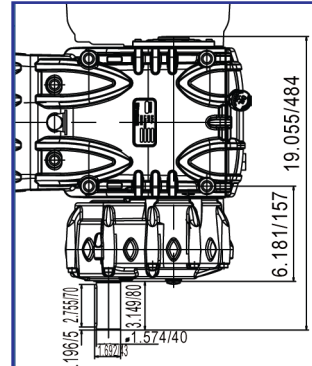




DRIVE OPTIONS



SAE-C hydraulic bell housing and flexible coupler.



Gearbox

KFRZ pumps can be supplied with an optional gearbox available in 3 different ratios. The gearbox can be mounted on the left or right side of the pump in 4 different angles, at your choice. Gearbox ratios: R=1.125:1, R=1.50:1, R=1.83:1



SAE-C 2/4 F 14 tooth 12/24DP hydraulic drive

OVERALL DIMENSIONS

