

# KF Series

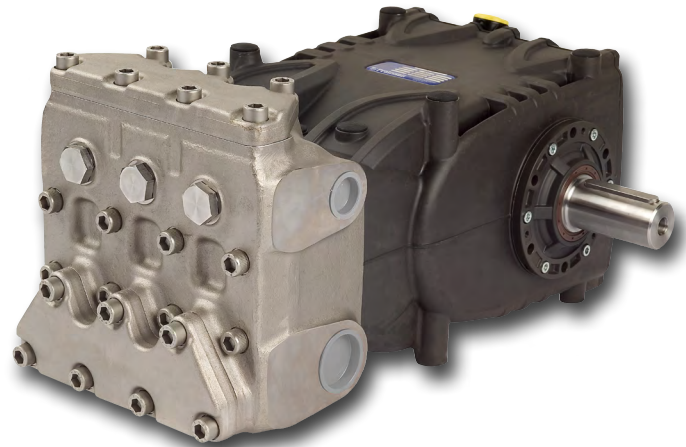
## FEATURES

- A "New Generation" Pump
- Triplex Plunger Pump, available in 4 flows
- Patent-pending, symmetrical power end design featuring top and bottom mounting holes allowing for easy left to right shaft conversion
- Low-high pressure packing design with integrated cooling system
- High volumetric efficiency suction/delivery valves featuring new spherical design of sealing areas
- Splash lubrication
- SAE-C hydraulic drive bell housing and flexible couplers available
- Available with external gear box (direct drive only)

## MATERIALS

- High resistance light alloy die cast aluminum crankcase
- 420 Stainless steel manifold, nickel treated
- Taper roller bearings
- Special anti-friction, forged, light alloy connecting rods
- Forged alloy steel crankshaft, hardened, tempered and nitrided
- Cast iron piston guide, nickel treated
- Solid ceramic plungers
- Stainless steel valves
- Pumps are also available with 316 SS packing components. These models use prefix "KFN"

Product Group: V



## COMMON SPECIFICATIONS

- Maximum Inlet Pressure: ..... 45 PSI
- Maximum Fluid Temperature: ..... \*140° F
- Inlet Port Thread: ..... 1-1/2" NPT-F
- Discharge Port Thread: ..... 1" NPT-F
- Shaft Diameter: ..... 1.575"/40 mm
- Stroke: ..... 1.969"/50 mm
- Pump Dimensions: ..... 20.7" x 14.5" x 9.9"
- Crankcase Oil Capacity: ..... 128.5 oz. (3.8 liters)  
..... (use GP Series 220 Oil)
- Shipping Weight: ..... 150 lbs./68 kg

\*Please consult technical guide or GP Sales Representative for Temperature/Inlet Pressure Information.

Note: All models come standard with crankshaft on right side (when facing manifold), specify "L" after part number when ordering left hand version.

MODEL	GPM/LPM	PSI/BAR	RPM	BORE	HP
KF28A	24.5 GPM/93 LPM	3045 PSI/210 BAR	1000 RPM	1.102 in./28 mm	50.0
KF30A	28.0 GPM/106 LPM	2890 PSI/200 BAR	1000 RPM	1.181 in./30 mm	55.0
KF36A	32.2 GPM/122 LPM	2300 PSI/160 BAR	800 RPM	1.417 in./36 mm	50.0
KF36A	36.2 GPM/137 LPM	2050 PSI/140 BAR	900 RPM	1.417 in./36 mm	50.0
KF36A	40 GPM/153 LPM	1900 PSI/130 BAR	1000 RPM	1.417 in./36 mm	52.0
KF40A	45 GPM/170 LPM	1600 PSI/110 BAR	900 RPM	1.574 in./40 mm	49.0

Above pumps also available with crankshaft on left side. To order, add an "L" to the end of the model number.

## PUMP OPTIONS

- "R" version features Kevlar/Graphite packings suitable for run dry (Max. Temp 185° F)
- "F" version features flushing option
- "N" version available with 316 Stainless Steel packing components (Max. Temp 185° F)
- Available with external gear box (direct drive only)
- SAE-J 744-C hydraulic drive bell housing and flexible couplers available



General Pump  
is a member of  
The Interpump Group



Ref 300850 Rev. F  
04-22



## ACCESSORIES

### REGULATORS

#### ■ R1

18.5-29.0 GPM  
2900-8700 PSI



#### ■ R1X

18.5-29.0 GPM  
2900-8700 PSI  
316 SS



#### ■ R2

61.0 GPM  
3050 PSI



### GUNS / LANCES

#### ■ ZP87SSL19/39/19S/39S

15.85 GPM  
8700 PSI



#### ■ YG7221/L31-YG7221/51

21.0 GPM  
7250 PSI



#### ■ YRL56L

8.0 GPM  
5650 PSI



### SAFETY DEVICES

#### ■ SV2

50.0 GPM  
1450-8700PSI



#### ■ SX2

50.0 GPM  
1450-5899 PSI



### PULSATION DAMPENERS

#### ■ A7

43.0 GPM  
3050 PSI



### UNLOADERS

#### ■ RA2

61.0 GPM  
3050 PSI



#### ■ ZKBH3030

29.0 GPM  
3050 PSI



#### ■ PNRA2

61.0 GPM  
3050 PSI



### MISCELLANEOUS

#### ■ 320001/ 320003

3000/5000 PSI  
Pressure  
Gauge



#### ■ ZRMAX

1.4-13.9 GPM  
11000/22000 PSI  
Rotating  
Nozzle



#### ■ Y7K

7000 PSI  
Rotating  
Nozzle



#### ■ 639273

55.0 GPM  
50/297 Mesh/  
Micron  
Filter



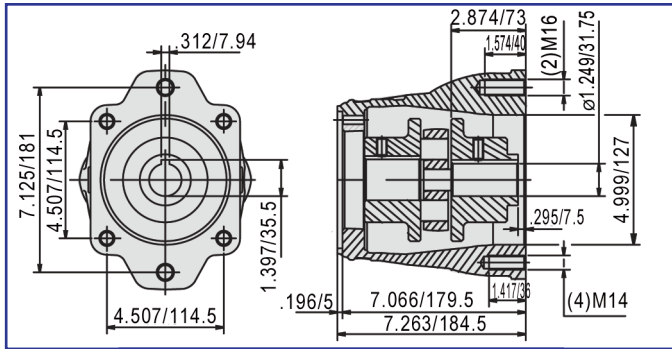
#### ■ 190448

Oil Drain Kit

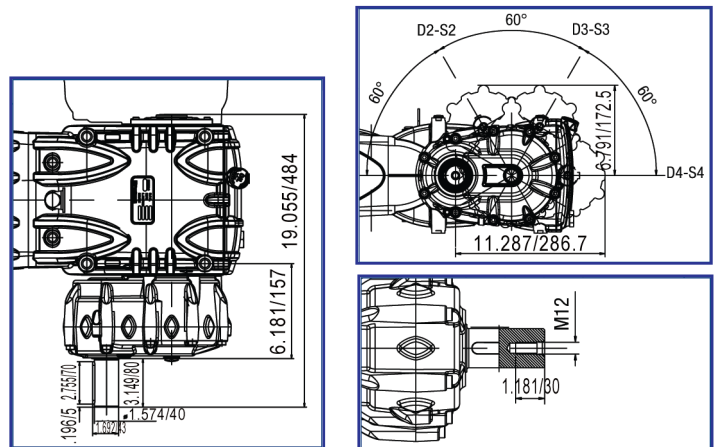




### DRIVE OPTIONS



**SAE-C hydraulic bell housing and flexible coupler.**

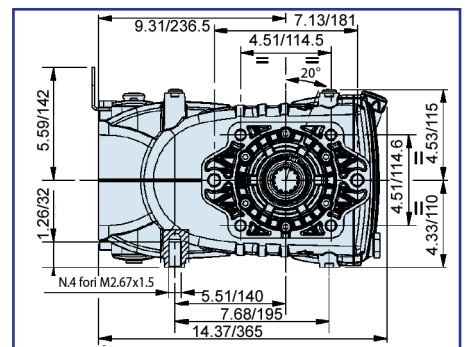
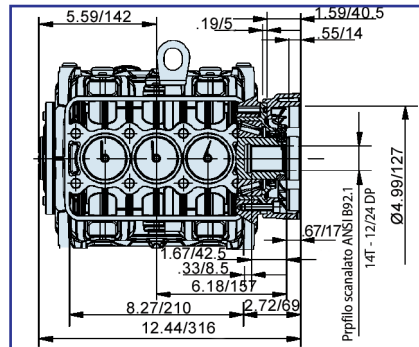


### Gearbox

KF pumps can be supplied with an optional gearbox available in 3 different ratios. The gearbox can be mounted on the left or right side of the pump in 4 different angles, at your choice. Gearbox ratios: R=1.125:1, R=1.50:1, R=1.83:1

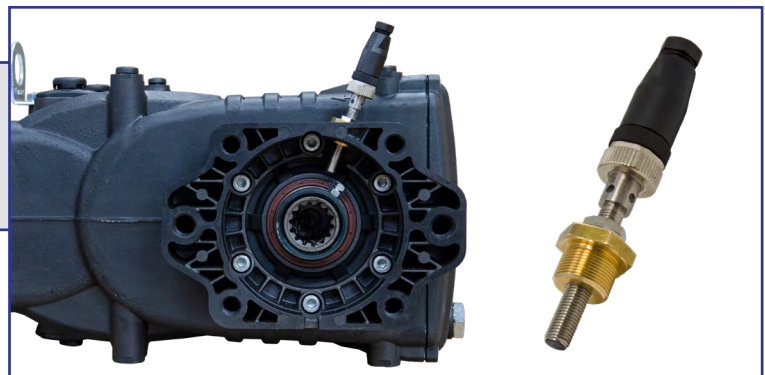


**SAE J744-C Spline Shaft  
14T 12/24 DP Hydraulic Drive.**



### ZRPM1 RPM Counter

Inductive proximity sensor, c/w female connector M12 4 pin, IP67, field attachable, ring nut reduction M18 x 1. Power Supply: 12/24 VDC





## OVERALL DIMENSIONS

