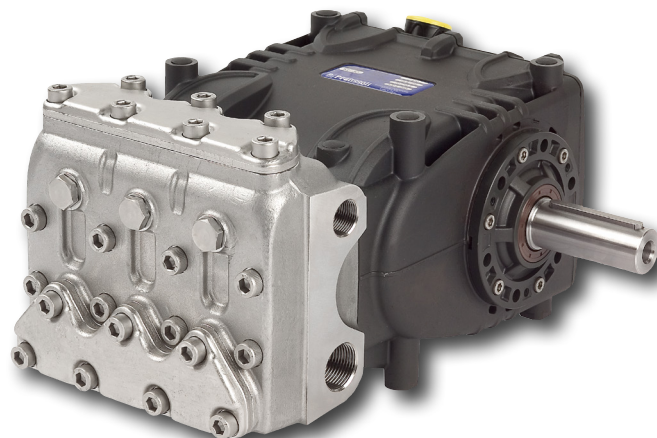


# KEZ Series

## FEATURES

- High pressure, Triplex Plunger pump
- Patent pending, symmetrical power end design featuring top and bottom mounting holes allowing for easy left to right shaft conversion
- Low-high pressure packing design with integrated cooling system
- High volumetric efficiency suction/delivery valves
- Splash lubrication
- New high performance aluminum alloy connecting rods and a floating wrist pin enable extra load at half the weight. This reduces vibrations and off center loads on the bearing for longer life and quieter operation
- Patent pending "high tech" low and high pressure seals



## MATERIALS

- Die-cast aluminum crankcase
- 316 stainless steel manifold
- Taper roller bearings
- Special antifriction light alloy, forged, connecting rods
- Forged alloy steel crankshaft, hardened, tempered and nitrided
- Cast iron piston guide, nickel treated
- Solid ceramic plungers
- 316 stainless steel valves

Product Group: V

## COMMON SPECIFICATIONS

- Maximum Inlet Pressure: . . . . . 45 PSI
- Minimum Inlet Pressure: . . . . . 5 PSI
- Maximum Fluid Temperature: . . . . . \*185° F
- Inlet Port Thread: . . . . . 1" NPT-F
- Discharge Port Thread: . . . . . 1/2" NPT-F
- Shaft Diameter: . . . . . 1.181"/30 mm
- Stroke: . . . . . .0.955"/23 mm
- Pump Dimensions: . . . . . 15.1" x 13.4" x 7.7"
- Crankcase Oil Capacity: . . . . . 67.63 oz. (2 liters)  
 . . . . . (use GP Series 220 Oil)
- Shipping Weight: . . . . . 88 lbs./40 kg

\*Please consult technical guide or GP Sales Representative for Temperature/Inlet Pressure Information.

Note: All models come standard with crankshaft on right side (when facing manifold), specify "L" when ordering left hand version.

MODEL	GPM/LPM	PSI/BAR	RPM	BORE	EBHP
KEZ20A	8.0 GPM/31 LPM	3000 PSI/207 BAR	1450 RPM	.787 in./20 mm	17
KEZ22A	10.0 GPM/38 LPM	3000 PSI/207 BAR	1450 RPM	.866 in./22 mm	21
KEZ24A	11.9 GPM/45 LPM	3000 PSI/207 BAR	1450 RPM	.944 in./24 mm	25
KEZ28HA	16.1 GPM/61 LPM	2170 PSI/150 BAR	1450 RPM	1.102 in./28 mm	25
KEZ30HA	18.5 GPM/70 LPM	1880 PSI/130 BAR	1450 RPM	1.181 in./30 mm	25
KEZ36HA	26.4 GPM/100 LPM	1450 PSI/100 BAR	1450 RPM	1.417 in./36 mm	25

Volumes are theoretical at 100% volumetric efficiency.

## PUMP OPTIONS

- "F" version features flushing option
- SAE-J 744-B hydraulic drive bell housing and flexible couplers available



General Pump  
 is a member of  
 The Interpump Group



Ref 300735 Rev. E  
 01-21



## ACCESSORIES

### REGULATORS

#### ■ R1X

18.5-29.0 GPM  
2900-8700 PSI  
316 SS



### SAFETY DEVICES

#### ■ YVS23SS

5.3 GPM  
2300 PSI  
316SS



### UNLOADERS

#### ■ ZK3608SS

7.92 GPM  
3600 PSI



#### ■ ZKSX1

16.0 GPM  
3600 PSI  
316 SS



#### ■ SX2

50.0 GPM  
1450-5899 PSI



#### ■ YVB280SS

21.0 GPM  
4500 PSI



### PULSATION DAMPENERS

#### ■ YVS280SS

21.0 GPM  
4500 PSI



#### ■ A4X

16.0 GPM  
3050PSI



#### ■ YU2122SS

21.0 GPM  
2200 PSI



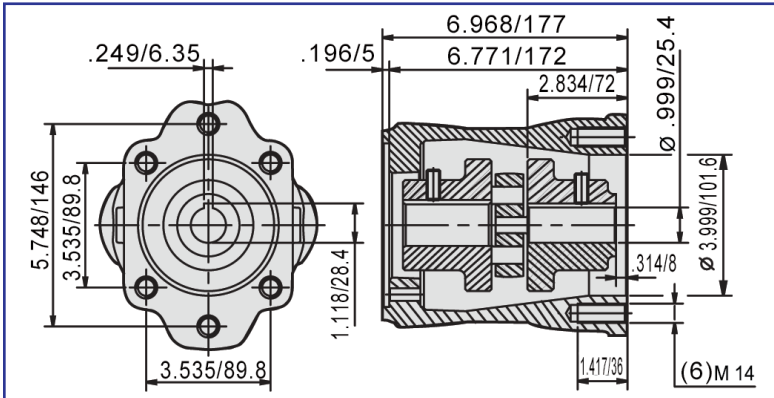
#### ■ A7X

16.0 GPM  
3050PSI  
316 SS





## DRIVE OPTIONS



**SAE-B hydraulic bell housing and flexible coupler.**



**SAE B 2/4 F 13 Tooth 13/32DP Hydraulic Drive.**

## OVERALL DIMENSIONS

