

KE Series

FEATURES

- A "New Generation" Pump
- Triplex Plunger Pump, available in 5 flows
- Patent-pending, symmetrical power end design featuring top and bottom mounting holes allowing for easy left to right shaft conversion
- Low-high pressure packing design with integrated cooling system
- High volumetric efficiency suction/delivery valves featuring new spherical design of sealing areas
- Splash lubrication
- SAE-B hydraulic drive bell housing and flexible couplers available

MATERIALS

- High resistance light alloy die cast aluminum crankcase
- 420 Stainless steel manifold, nickel treated
- Taper roller bearings
- Special antifriction, forged, light alloy connecting rods
- Forged alloy steel crankshaft, hardened, tempered and nitrided
- Cast iron piston guide, nickel treated
- Solid ceramic plungers
- Stainless steel valves
- Pumps are also available with 316 SS packing components.

These models use prefix "KEN"

Product Group: V



COMMON SPECIFICATIONS

- Maximum Inlet Pressure: 45 PSI
- Maximum Fluid Temperature: *140° F
- Inlet Port Thread: 1" NPT-F
- Discharge Port Thread: 1/2" NPT-F
- Shaft Diameter: 1.181"/30 mm
- Stroke: 0.9055"/23 mm
- Pump Dimensions: 15.2" x 13.4" x 7.7"
- Crankcase Oil Capacity: 67.63 oz. (2 liters)
- (use GP Series 220 Oil)
- Shipping Weight 88 lbs./40kg

*Please consult technical guide or GP Sales Representative for Temperature/Inlet Pressure Information.

Note: All models come standard with crankshaft on right side (when facing manifold).

MODEL	GPM/LPM	PSI/BAR	RPM	BORE	HP
KE20A	8.0 GPM/30 LPM	4350 PSI/300 BAR	1450 RPM	.787 in./20 mm	25.0
KE22A	10.0 GPM/37 LPM	3650 PSI/250 BAR	1450 RPM	.866 in./22 mm	25.0
KE24A	11.9 GPM/45 LPM	3050 PSI/210 BAR	1450 RPM	.944 in./24 mm	25.0
KE28HA	16.1GPM/61 LPM	2170 PSI/150 BAR	1450 RPM	1.102 in./28 mm	25.0
KE30HA	18.5 GPM/70 LPM	1880 PSI/130 BAR	1450 RPM	1.181 in./30 mm	25.0
KE36HA	26.4 GPM/100 LPM	1450 PSI/100 BAR	1450 RPM	1.317 in./36 mm	25.0

Volumes are theoretical at 100% volumetric efficiency.

Above pumps also available with crankshaft on left side. To order, add an "L" to the end of the model number.

PUMP OPTIONS

- "F" version features flushing option
- "N" version available with 316 Stainless Steel packing components, maximum water temperature 185°F
- SAE-J 744-B hydraulic drive bell housing and flexible couplers available.
- "B" version features a brass manifold (KE30HA and KE36HA only).



General Pump
is a member of
The Interpump Group



Ref 300734 Rev. E
01-21



ACCESSORIES

REGULATORS

■ R1

18.5-29.0 GPM
2900-8700 PSI



■ R1X

18.5-29.0 GPM
2900-8700 PSI
316 SS



■ ZKSX1

16.0 GPM
3600 PSI
316 SS



■ YRVPP26SS

21.0 GPM
4500 PSI



GUNS / LANCES

■ ZP87SSL19/39/19S/39S

15.85 GPM
8700 PSI



■ YG7221/L31-YG7221/51

21.0 GPM
7250 PSI



■ YRL56L

8.0 GPM
5650 PSI



SAFETY DEVICES

■ SV2

50.0 GPM
1450-8700PSI



■ SX2

50.0 GPM
1450-5899 PSI



■ ZKS3

2.6-26.4 GPM
0-10150 PSI



■ 100984

6.0-10.0 GPM
4500 PSI



PULSATION DAMPENERS

■ A4X

16.0 GPM
3050PSI



■ A7S

43.0 GPM
4750 PSI



■ 686028

10.0 GPM
3000 PSI
Rechargeable



■ 686011

6.0-10.0 GPM
4500 PSI
Non-
Rechargeable



UNLOADERS

■ RA2

61.0 GPM
3050 PSI



■ ZK7216SS

15.85 GPM
7200 PSI



■ ZK5813

13.2 GPM
5800 PSI



■ YU2140

21.0 GPM
4060 PSI



MISCELLANEOUS

■ 320001/
320003

3000/5000 PSI
Pressure
Gauge



■ ZRMAX

1.4-13.9 GPM
11000/22000 PSI
Rotating Nozzle



■ Y7K

7000 PSI
Rotating
Nozzle



■ 639273

55.0 GPM
50/297 Mesh/
Micron
Filter



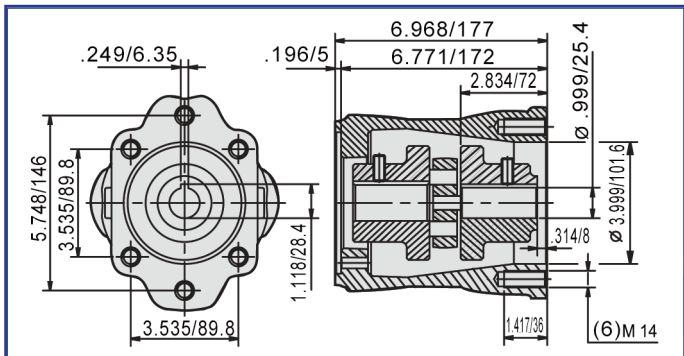
■ 190448

Oil Drain Kit



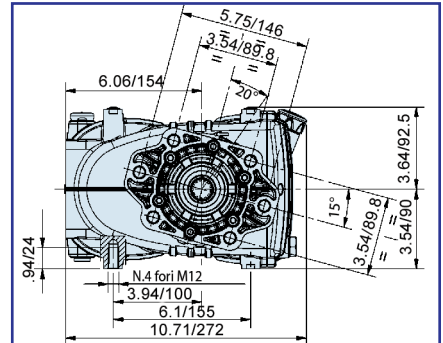
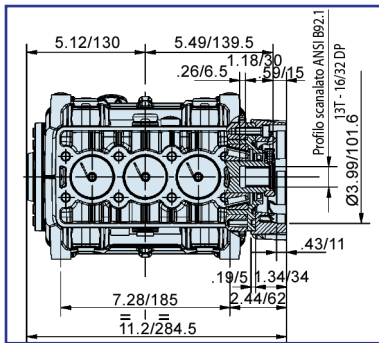


DRIVE OPTIONS



SAE-J 744-B hydraulic bell housing and flexible coupler.

**SAE J744-B Spline Shaft
13T 16/32 DP Hydraulic
Drive.**



ZRPM1 RPM Counter
Inductive proximity sensor, c/w female connector M12 4 pin, IP67, field attachable, ring nut reduction M18 x 1. Power Supply: 12/24 VDC





OVERALL DIMENSIONS

