

FEATURES

- Features patent-pending “high tech” packings:
 - dynamic low-pressure seal retainer
 - superior low-pressure seal
 - innovative intermediate ring
 - superior high-pressure seal
- Ceramic plungers
- Patent-pending inlet/outlet valve cage
- Nickel-plated inlet/outlet valve plugs
- Nickel-plated forged brass manifold with exclusive lifetime warranty
- Specifically Designed to handle rigorous duty cycles, high temperatures and chemicals
- Ideal for use in carpet cleaning and other high pressure cleaning applications

Emperor
Pumps That Rule Any Environment



SPECIFICATIONS

Pump Model	HTC1506S17	HTC1509S17	HTC1511S17
Maximum Volume	1.35 GPM	2.1 GPM	2.6 GPM
Maximum Discharge Pressure	2200 PSI		
Horsepower	2.0 EBHP	3.0 EBHP	4.0 EBHP
Maximum Pump Speed	1750 RPM		
Maximum Inlet Pressure	125 PSI		
Minimum Inlet Pressure	3 ft. water (2.6 in. Hg)		
Plunger Bore (in / mm)	.591 in. / 15 mm		
Plunger Stroke (in / mm)	.236 in. / 6.0 mm	.370 in. / 9.4 mm	.453 in. / 11.5 mm
Oil Capacity	11.8 oz.		
Maximum Fluid Temperature	185°F		
Inlet Port Thread	1/2 -14 BSP-F		
Discharge Port Thread	3/8 -19 BSP-F		
Shaft Diameter	.626 in. / 16 mm		
Weight	16 lbs.		
Dimensions - Nominal	7.8 x 7.3 x 5.5 in		

EMPEROR

EMPEROR



General Pump
is a member of
the Interpump Group

Ref 300873 Rev.A
11-11



Instructions and Recommendations for the Installation of *HTC Series Pumps*

The high-temperature pumps of the HT series have been designed for use in applications where the water must be pre-heated, such as in carwash, food and pharmaceutical industries.

Maximum temperature of the water through the pump is 185°F (85°C).

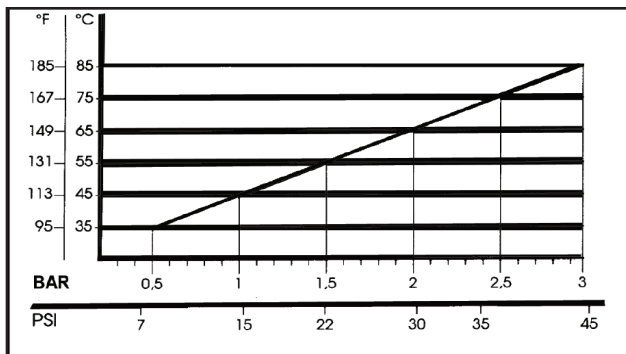
In order to obtain maximum performance in terms of duration of seals and valves, it is necessary to respect a few simple rules, as follows:

1) **In order to avoid damage caused by cavitation, the pump must be pressure fed.**

The higher the inlet pressure, the longer the life of the wet end of the pump.

When working at 185°F (85°C), the minimum feed pressure - measured directly in the inlet port of the pump when it is working - is 45 psi (3 bar).

The minimum feed pressure according to the different temperatures are:



Naturally, if the application allows for feeding the pump with 45 psi (3 bar) even at low temperatures (for example: 115°F/45°C the life of the wet end of the pump will be even longer.

2) **The plumbing which feeds the pump must be of a diameter at least equal to the inlet port.**

Also, follow the suggestions below:

a) Make the plumbing as short and straight as possible, preferably in an upward direction to facilitate the expulsion of eventual air bubbles naturally if compatible with the requirements of the system.

b) It is always useful to put a filter at the inlet with capacity of 4 to 5 times the flow of

the pump, for example for a 4 gpm (15 l/min) pump, put a filter from 16 to 20 gpm (60-75 l/min). The mesh size suitable for this application is 0.016" (.4 mm).

c) It is extremely important to put a pressure switch on the suction port of the pump, and in any case downstream from the filter, so that it can stop the pump should the feed pressure drop by 20% due to the filter clogging or failure of the feed pump, etc.

3) **Change of oil**

We recommend the **first oil change after the first 50 hours**, with the **pump stopped** and the **oil still warm**.

This change is not recommended because the oil has lost its properties, but rather to eliminate the impurities that have gotten into the oil during the running-in phase. If these impurities are not removed, but are allowed to remain in the oil, they may cause premature wear to the moving parts and the oil seals. **After this initial change, the oil can then be changed every three months or 300 hours of operation thereafter.**

Please note: If the pump works in conditions with high humidity and with sharp temperature changes, it is possible that condensation will appear inside the crankcase, which mixing with the oil can change its properties. This is easy to see because the oil changes to a white, milky color.

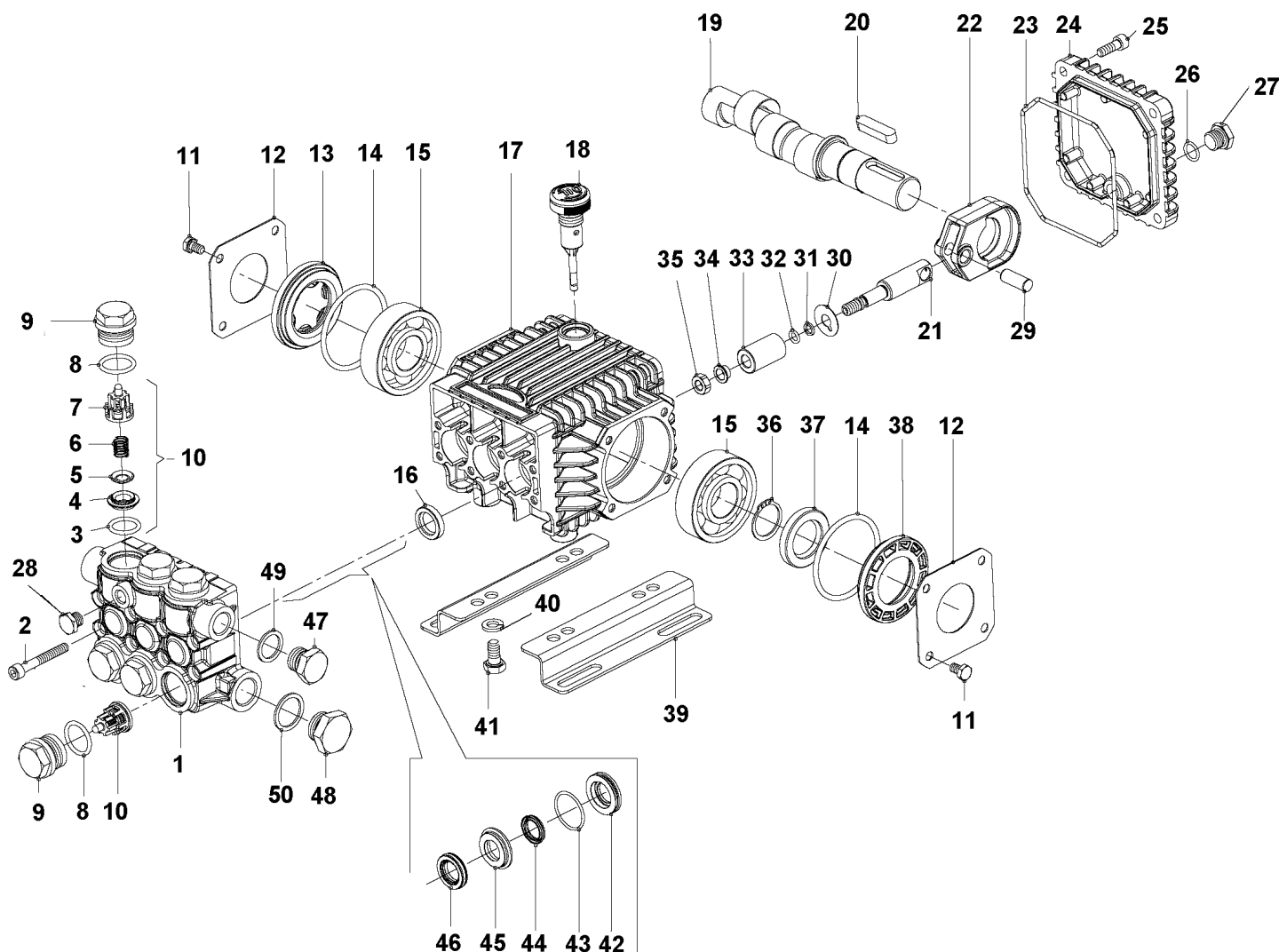
If the pump does not have excessive water leaking from the packings, and the oil becomes milky, the oil has to be changed more frequently. The percentage of water in the oil must not exceed 20%.

Ref 300873 Rev.A

11-11

Use oil per the following chart:

CHART OF COMPATIBLE OILS SAE15W40	
GENERAL PUMP	SERIES 100
BP	VISCO 2000
CASTROL	CWX
MOBIL	SUPER
SHELL	HELIX SUPER
TOTAL	QUARTZ 4000-5000



PARTS LIST

ITEM	PART NO.	DESCRIPTION	QTY	ITEM	PART NO.	DESCRIPTION	QTY	ITEM	PART NO.	DESCRIPTION	QTY
1.	60121241	Manifold, Nickel plated,15mm	1	19.	60020465	Crankshaft, HTC1506S17	1	35.	92221600	Nut, M8, S.S.	3
2.	99195000	Screw, M6	8		60021265	Crankshaft, HTC1509S17	1	36.	90063500	Circlip, Ø25	1
3.	701115	O-ring, Ø 17.13x2.62	6		60021765	Crankshaft, HTC1511S17	1	37.	90163400	Ring, Radial, Ø25x42x7	1
4.	36200366	Valve Seat	6	20.	91489200	Key	1	38.	50211551	Spacer	1
5.	36711501	Valve Poppet	6	21.	60050066	Plunger Guide	3	39.	50200074	Feet	2
6.	94737600	Spring, Ø 9.4x14.8	6	22.	60030022	Connecting Rod	3	40.	96701600	Washer, Ø8.4	4
7.	36202551	Valve Guide	6	23.	90391800	O-ring, Ø 94.92x2.62	1	41.	99303700	Screw, M8x16	4
8.	90384700	O-ring	6	24.	60160022	Crankcase Cover	1	42.	60080270	Ring, Ø15	3
9.	98221300	Valve Cap, Nickel-plated	6	25.	99186700	Screw, M6	8	43.	90360400	O-ring, Ø25.12x1.78	3
10.	36711501	Valve, Complete	6	26.	90358500	O-ring	1	44.	90215000	Seal Retainer, Ø15, L.P.	3
11.	99180700	Screw, M6	4	27.	98204100	Plug, G 1/4"	1	45.	60216270	Intermediate Ring, Ø15	3
12.	50150074	Side Cover	1	28.	98196700	Plug, G 1/8" Nickel-plated	1	46.	90216200	Seal Retainer, Ø15, H.P.	3
13.	44211801	Oil Level Indicator	1	29.	97733300	Wrist Pin	3	47.	98209900	Plug, G3/8"x13	1
14.	90409700	O-ring	1	30.	96707000	Flinger Washer	3	48.	98217900	Plug, G1/2"x10	1
15.	91833100	Bearing, Ball	1	31.	90502200	Anti-ext. Ring	3	49.	96738000	Washer, Ø17.5x23x1.5	1
16.	710002	Oil Seal	3	32.	90357300	O-ring, Ø5.28x1.78	3	50.	96751400	Washer, Ø21.5x27x1.5	1
17.	60010022	Crankcase	1	33.	60040009	Ceramic Plunger, 15mm	3				
18.	98210300	Dipstick, Vented	1	34.	44211570	Collared Washer	3				

REPAIR KITS

KIT NO.	K83	K123	K243	K244
ITEM NO'S INCLUDED IN KIT	16	3, 4, 5, 6, 7 (10)	44, 46	42, 43, 44, 45, 46
NUMBER OF ASSY'S IN KIT	3	6	3	1
NO. OF CYLINDERS KIT SERVICES	3	3	3	1

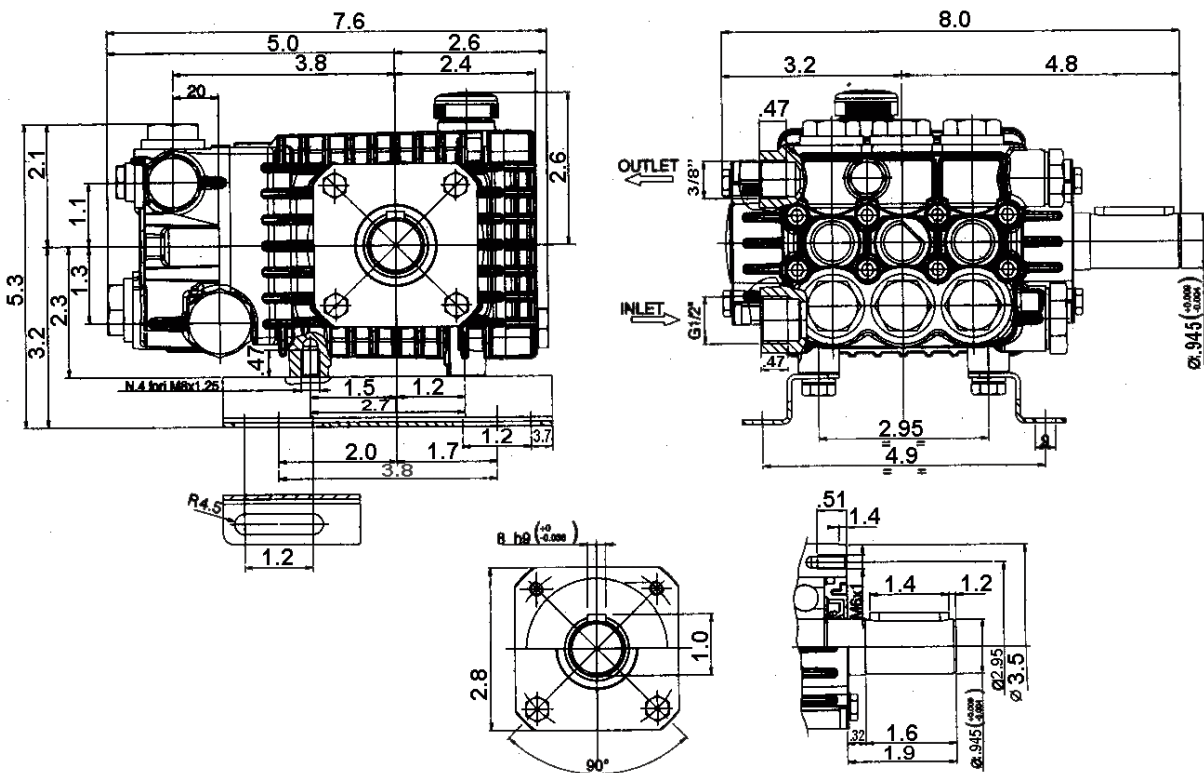
TORQUE SPECS*

Position	Ft.-Lbs.	Nm.
2	8.8	12
9 (upper)	29.5	40
9 (lower)	59.0	80
11	7.4	10
25	7.4	10
27	14.7	20
28	9.6	13
35**	14.7	20
41	14.7	20
47	29.5	40
48	29.5	40

*Decrease torque by 20% if threads are lubricated.

**Use Loctite 542

DIMENSIONS



Ref 300873 Rev.A
11-11