

HS Series

FEATURES

- High pressure, triple plunger pump
- Patent pending, symmetrical power end design featuring top and bottom mounting holes allowing for easy left to right shaft conversion
- Low-high pressure packing design with integrated cooling system
- High volumetric efficiency suction/delivery valves
- Splash lubrication
- SAE-C drive options available
- Available with external gear box (direct drive only)
- 420 SS manifold (HS18A is 17/4 ph)



MATERIALS

- High resistance light alloy crankcase
- 17/4 stainless steel manifold
- Taper roller bearings
- Special antifriction light alloy, connecting rods
- Forged alloy steel crankshaft, hardened, tempered and nitrided
- Cast iron piston guide, nickel treated
- Solid ceramic plungers
- Stainless steel valves

COMMON SPECIFICATIONS

- Maximum Inlet Pressure: 45 PSI
- Maximum Fluid Temperature: *140° F
- Inlet Port Thread: 1" NPT-F
- Discharge Port Thread: 3/4" NPT-F
- Shaft Diameter: 1.575"/40 mm
- Stroke: 1.969"/50 mm
- Pump Dimensions: 21.4" x 14.5" x 9.4"
- Crankcase Oil Capacity: 128.5 oz. (3.8 liters)
 (use GP Series 220 Oil)
- Shipping Weight: 143 lbs./64.86 kg

Product Group: V

*Please consult technical guide or GP Sales Representative for Temperature/Inlet Pressure Information.

Note: All models come standard with crankshaft on right side (when facing manifold), specify "L" when ordering left hand version.

MODEL	GPM/LPM	PSI/BAR	RPM	BORE	EBHP
HS18A	12.1 GPM/45.8 LPM	8700 PSI/600 BAR	1200/1800/2200	.709 in/18 mm	72.1
HS20A	15.1 GPM/57.2 LPM	7250 PSI/500 BAR	1200/1800/2200	.787 in/20 mm	74.9
HS22A	18 GPM/68 LPM	5800 PSI/400 BAR	1200/1800/2200	.866 in/22 mm	71

Volumes are theoretical at 100% volumetric efficiency.

PUMP OPTIONS

- "F" version features flushing option
- Available with external gear box (direct drive only)
- SAE-J 744-C hydraulic drive bell housing and flexible couplers available



General Pump
is a member of
The Interpump Group



Ref 310081 Rev. D
01-22



ACCESSORIES

REGULATORS

■ R1
18.5-29.0 GPM
2900-8700 PSI



■ R1X
18.5-29.0 GPM
2900-8700 PSI
316 SS



■ PN2
61.0 GPM
7250 PSI
Pneumatic



■ YRVPP26SS
21.0 GPM
4500 PSI



GUNS / LANCES

■ ZP87SSL19/39/19S/39S



■ YG7221/L31-YG7221/51
21.0 GPM
7250 PSI



SAFETY DEVICES

■ SV2
50.0 GPM
1450-8700PSI



■ S1510
5.2-26.4 GPM
6960 PSI



■ ZKS3
2.6-26.4 GPM
0-10150 PSI



PULSATION DAMPENERS

■ A4X
16.0 GPM
3050PSI



■ A7S
43.0 GPM
4750 PSI



■ 686011
6.0-10.0 GPM
4500 PSI
Non-
Rechargeable



UNLOADERS

■ ZKX600
16.0 GPM
8700 PSI



■ ZK7216SS
15.85 GPM
7200 PSI



MISCELLANEOUS

■ 320001/
320004
3000/20000 PSI
Pressure
Gauge



■ ZRMAX

1.4-13.9 GPM
11000/22000 PSI
Rotating Nozzle



■ 639273

55.0 GPM
50/297 Mesh/
Micron
Filter



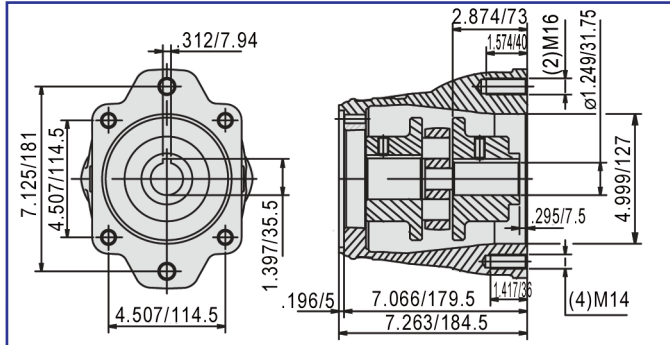
■ 190448

Oil Drain Kit





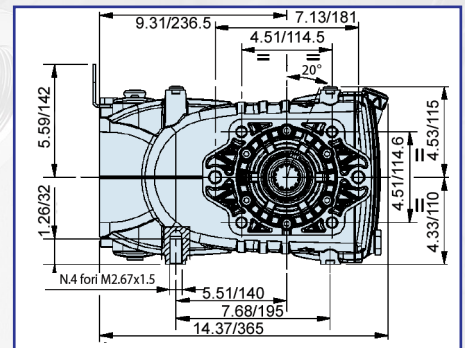
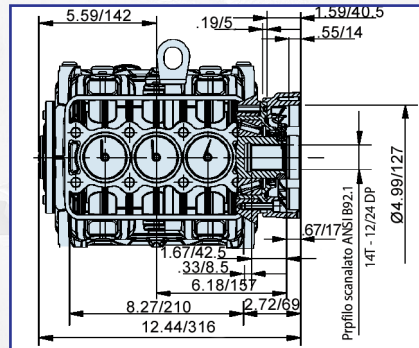
DRIVE OPTIONS



SAE-C hydraulic bell housing and flexible coupler.

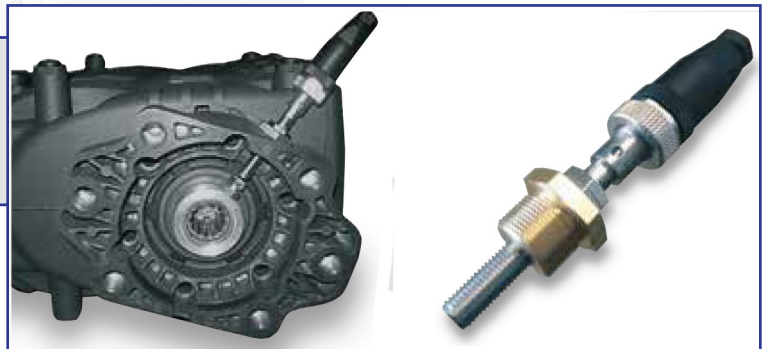


SAE J744-C Spline Shaft
14T 12/24 DP Hydraulic Drive.



ZRPM1 RPM Counter

Inductive proximity sensor, c/w female connector M12 4 pin, IP67, field attachable, ring nut reduction M18 x 1.
Power Supply: 12/24 VDC





OVERALL DIMENSIONS

