

HF Series

FEATURES

- A "New Generation" Pump
- Triplex Plunger Pump, available in 4 flows
- Patent-pending, symmetrical power end design featuring top and bottom mounting holes allowing for easy left to right shaft conversion
- Low-high pressure packing design with integrated cooling system
- High volumetric efficiency suction/delivery valves featuring new spherical design of sealing areas
- Splash lubrication
- SAE-C hydraulic drive bell housing and flexible couplers available
- Available with external gear box (direct drive only)
- Optional pulsing capability using F10744201 lifting valve (not included)

MATERIALS

- High resistance light alloy die cast crankcase
- 420 Stainless steel manifold, nickel treated
- Taper roller bearings
- Special anti-friction, forged, light alloy connecting rods
- Forged alloy steel crankshaft, hardened, tempered and nitrided
- Cast iron piston guide, nickel treated
- Solid ceramic plungers
- Stainless steel valves

Product Group: V



COMMON SPECIFICATIONS

- Maximum Inlet Pressure: 45 PSI
- Maximum Fluid Temperature: *140° F
- Inlet Port Thread: 1" NPT-F
- Discharge Port Thread: 3/4" NPT-F
- Shaft Diameter: 1.575"/40 mm
- Stroke: 1.969"/50 mm
- Pump Dimensions: 20" x 14.5" x 9.4"
- Crankcase Oil Capacity: 128.5 oz. (3.8 liters)
. (use GP Series 220 Oil)
- Shipping Weight: 132 lbs./60 kg

*Please consult technical guide or GP Sales Representative for Temperature/Inlet Pressure Information.

Note: All models come standard with crankshaft on right side (when facing manifold), specify "L" after part number when ordering left hand version.

MODEL	GPM/LPM	PSI/BAR	RPM	BORE	HP
HF18A	8.06 GPM/30 LPM	8700 PSI/600 BAR	800 RPM	.708 in./18 mm	48.0
HF18A	10.08 GPM/38 LPM	7250 PSI/500 BAR	1000 RPM	.708 in./18 mm	50.0
HF20A	12.4 GPM/47 LPM	5800 PSI/400 BAR	1000 RPM	.787 in./20 mm	48.0
HF22A	12.05 GPM/46 LPM	5800 PSI/400 BAR	800 RPM	.866 in./22 mm	48.0
HF22A	15.0 GPM/57 LPM	5075 PSI/350 BAR	1000 RPM	.866 in./22 mm	48.0
HF25A	19.6 GPM/74 LPM	4050 PSI/280 BAR	1000 RPM	.984 in./25 mm	53.0

PUMP OPTIONS

- "F" version features flushing option
- "N" version available with F51 duplex Stainless manifold and 316/Aluminum bronze wetted parts
- SAE-J 744-C hydraulic drive bell housing and flexible couplers available
- Available with external gear box (direct drive only)
- Pulse valve option only available on HF25A pump



General Pump
is a member of
The Interpump Group



300733 Rev. G
04-22



ACCESSORIES

REGULATORS

■ R1

18.5-29.0 GPM
2900-8700 PSI



■ R1X

18.5-29.0 GPM
2900-8700 PSI
316 SS



■ YRVPP26SS

21.0 GPM
4500 PSI



GUNS / LANCES

■ ZP87SSL19/39/19S/39S

15.85 GPM
8700 PSI



■ YG7221/L31-YG7221/51

21.0 GPM
7250 PSI



SAFETY DEVICES

■ SV2

50.0 GPM
1450-8700PSI



■ S1510

5.2-26.4 GPM
6960 PSI



■ ZKS3

2.6-26.4 GPM
0-10150 PSI



PULSATION DAMPENERS

■ A4X

16.0 GPM
3050PSI



■ A7S

43.0 GPM
4750 PSI



■ 686011

6.0-10.0 GPM
4500 PSI
Non-
Rechargeable



UNLOADERS

■ ZKX600

16.0 GPM
8700 PSI



■ ZK7216SS

15.85 GPM
7200 PSI



MISCELLANEOUS

■ 320001/
320004

3000/20000 PSI
Pressure
Gauge



■ ZRMAX

1.4-13.9 GPM
11000/22000 PSI
Rotating Nozzle



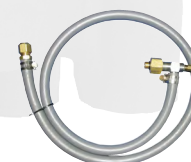
■ 639273

55.0 GPM
50/297 Mesh/
Micron
Filter



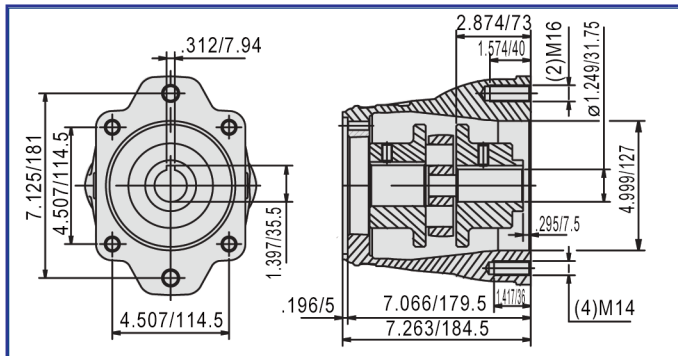
■ 190448

Oil Drain Kit

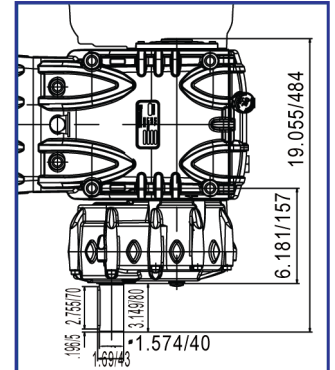
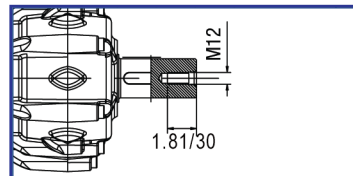
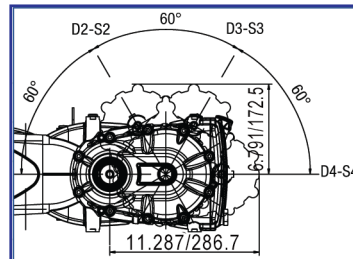




DRIVE OPTIONS



SAE-J 744 C hydraulic bell housing and flexible coupler.

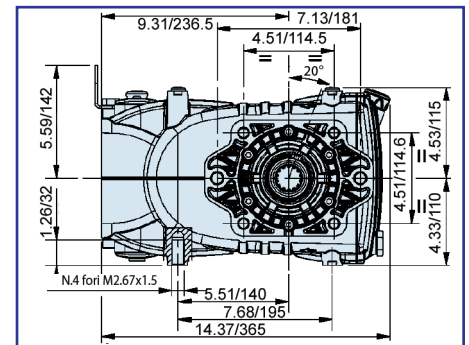
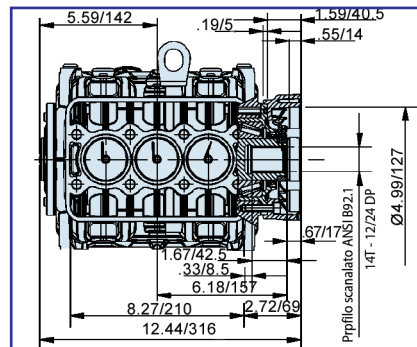


Gearbox

HF pumps can be supplied with an optional gearbox available in 3 different ratios. The gearbox can be mounted on the left or right side of the pump in 4 different angles, at your choice. Gearbox ratios: R=1.125:1, R=1.50:1, R=1.83:1

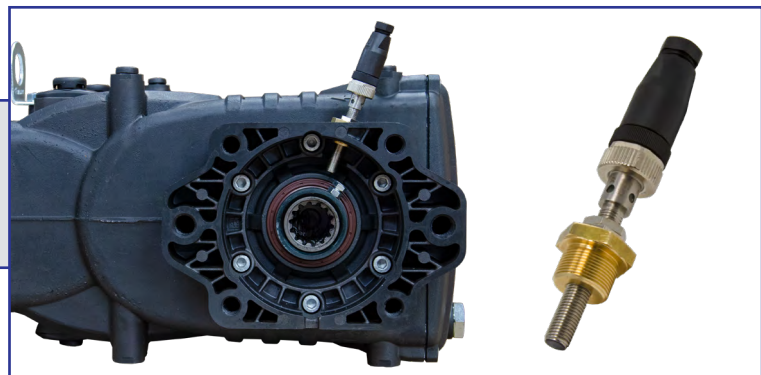


SAE J744-C Spline Shaft 14T 12/24 DP Hydraulic Drive.



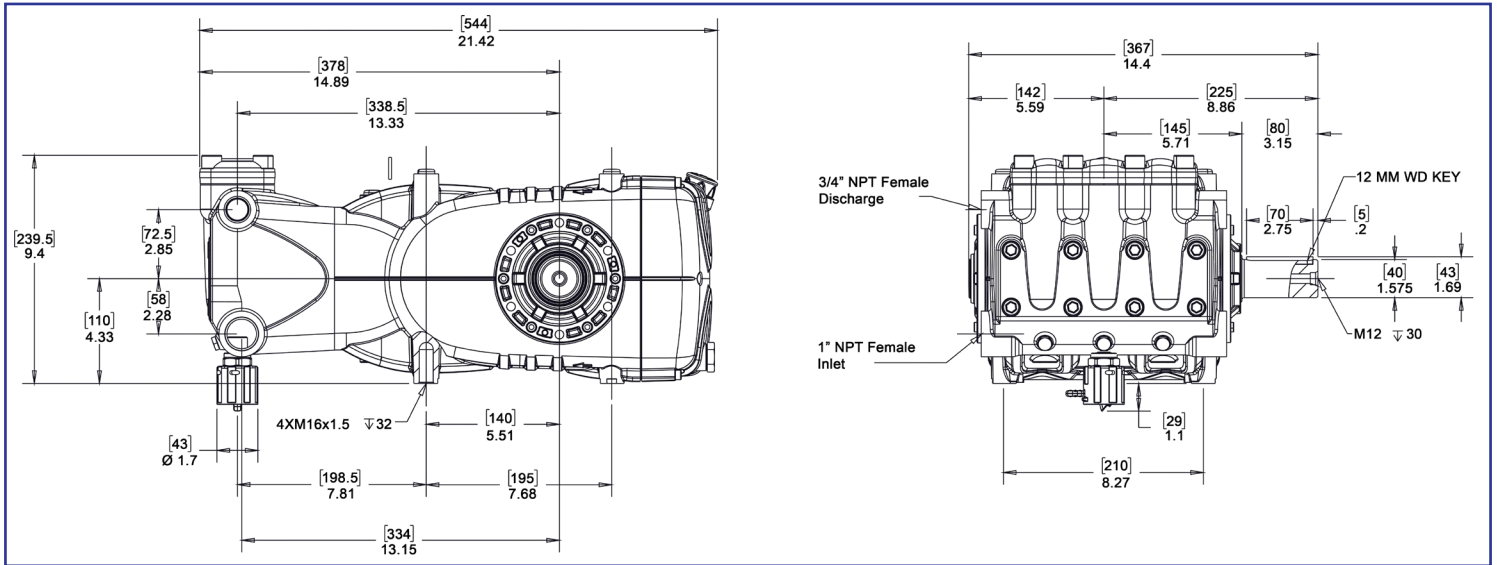
ZRPM1 RPM Counter

Inductive proximity sensor, c/w female connector M12 4 pin, IP67, field attachable, ring nut reduction M18 x 1. Power Supply: 12/24 VDC





OVERALL DIMENSIONS



Note: Illustration shows pulse valve F10744201 (Not Included).