



## OPTIONAL GEAR BOX FOR THE KF, KS, HF, AND VF PUMPS

VF, HF and KF pumps can be supplied with an optional gear box available in three different ratios. The gear box can be mounted on the left or right side of the pump at four different angles.

### SPECIFICATIONS

Part Number	Gearbox Ratios	Min. Input Speed RPM	Max. Input Speed RPM
F34207301	R=1.25:1	625	1250
F34207401	R=1.50:1	750	1500
F34207501	R=1.83:1	915	1830

- Gear Toothing: . . . . . Helical
- Lubrication: . . . . . Splash
- Oil Qty.: . . . . . 15.5 oz. (.5 liters)
- Belt Drive Load: . . . . . None/Direct Drive Only
- Dry Weight: . . . . . 30.8 lbs./14 kg
- Output Shaft: . . . . . 40 mm

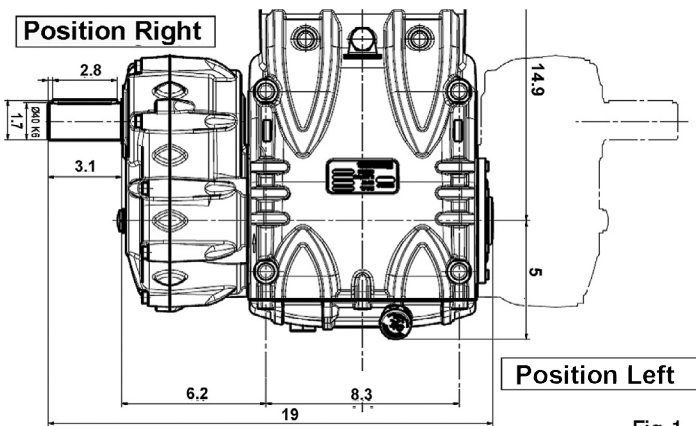


Fig.1

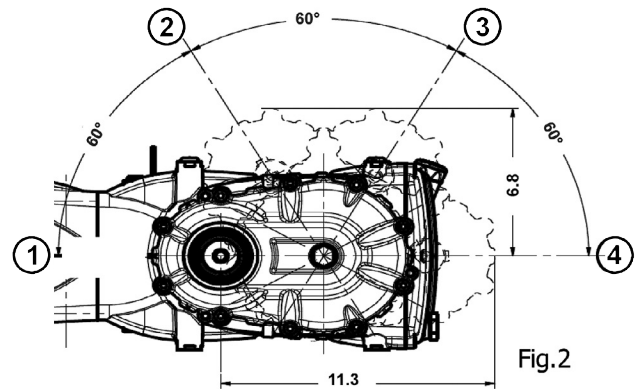


Fig.2

Gear box can be positioned on the left or right side of the pump in 4 different angles at 60°. Examples in **Figures 1** and **2** shows a gear box in position Right 1.

**NOTE: Direct Drive Only, No Belt Drive**



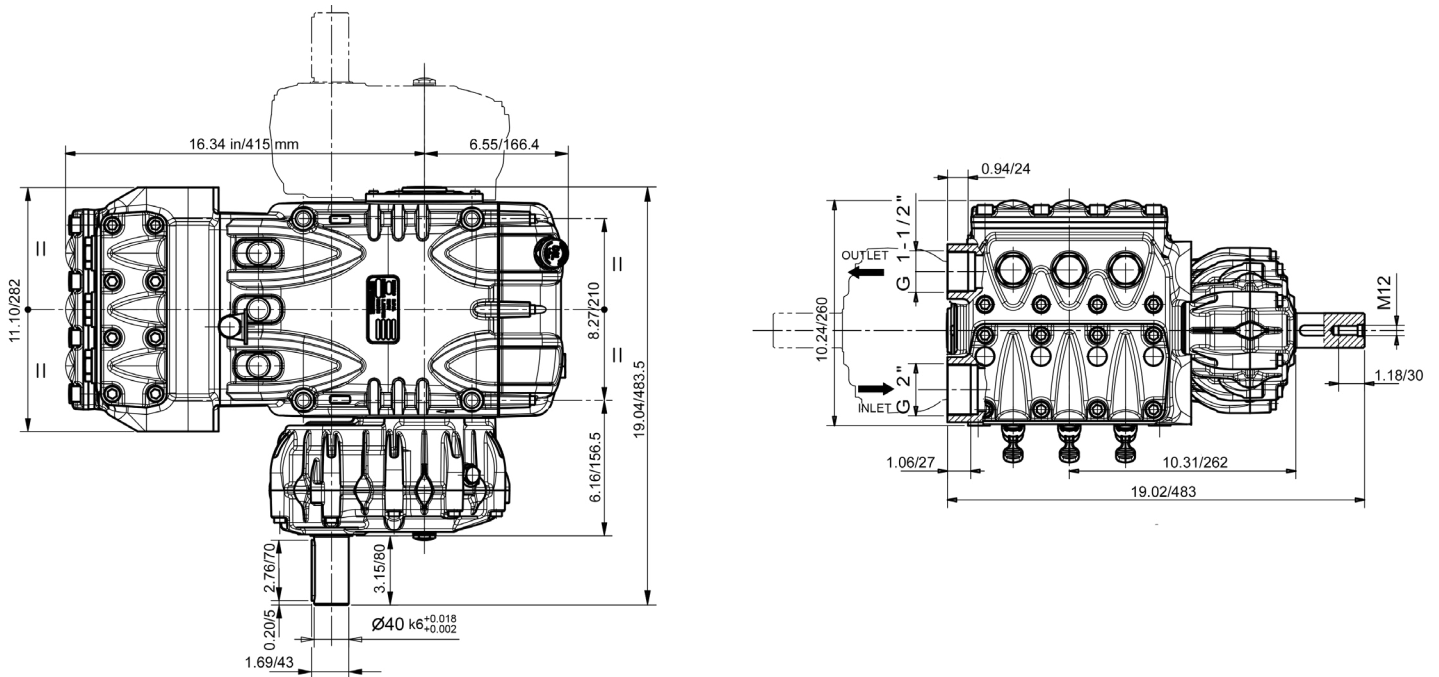
General Pump  
is a member of  
the Interpump Group



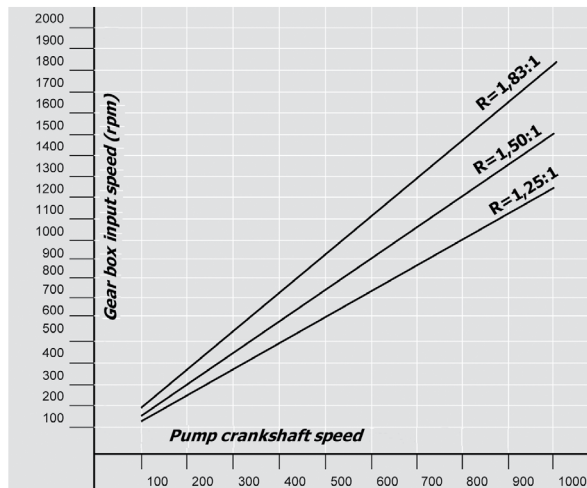
Ref 300762 Rev. C  
07/20



## DIMENSIONAL DRAWING



## PERFORMANCE CURVE



## PRECAUTIONS

When ordering a pump with a gear box, please ensure the input RPM coupled with the gearbox does NOT exceed the RPM rating of the pump.

**Example: KF30A has a maximum 1000 RPM**

Input 1800 and 1500 RPM  
 (Input RPM 1800 / 1.50 = 1200 RPM) The 1:1.5 gear box can **NOT** be used

(Input RPM 1500 / 1.50 = 1000 RPM) The 1:1.5 gear box **CAN** be used