

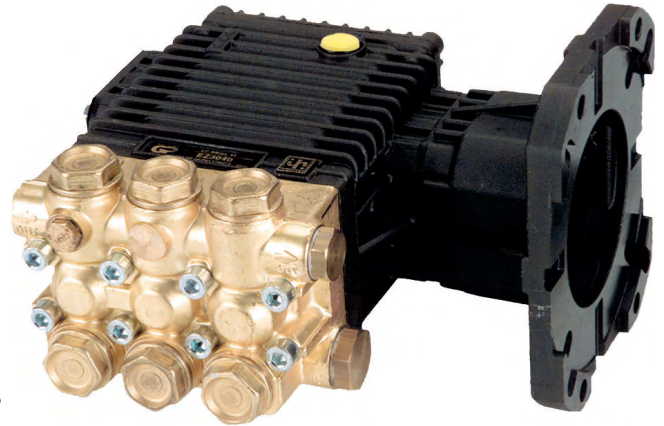
**GENERAL PUMP** *A member of the Interpump Group*

# EZ Series 44

## Triples Plunger Pump

### FEATURES

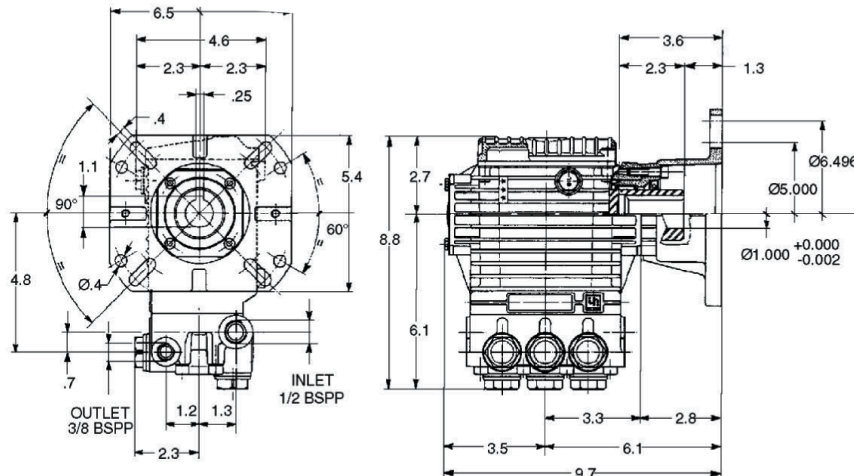
- Standard SAE J609 gasoline mounting flange for up to 13 hp engines
- Forged brass manifold with 3:1 hydrostatic rating
- Die-cast, anodized aluminum oil-bath crankcase
- Innovative one-piece plunger design to eliminate water entering crankcase
- Premium roller bearing
- 5% reduction in crankcase load compared to standard 3,000 PSI, 15 mm pumps
- Unitized stainless steel inlet and discharge valves
- Available in "L" left-handed versions
- Features NEW plunger/guide improvements!



### SPECIFICATIONS

Pump Model	EZ4040G	EZ4035G34	EZ4030G34
Maximum Volume	4.0 GPM	3.5 GPM	3.0 GPM
Maximum Discharge Pressure	4200 PSI	4000 PSI	
Maximum Pump Speed	3400 RPM		
Maximum Inlet Pressure	125 PSI		
Maximum Inlet Vacuum	3 ft. water (2.6 in. Hg)		
Plunger Bore	.512 in. / 13 mm		
Plunger Stroke	.512 in. / 13 mm	.433 in. / 11 mm	.374 in. / 9.5 mm
Crankcase Oil Capacity	14.0 oz.		
Maximum Fluid Temperature	165° F		
Inlet Port Thread	1/2-14 BSPP-F		
Discharge Port Thread	3/8-19 BSPP-F		
Shaft Diameter	1.0 in. / 25.4 mm		
Weight	20 lbs.		
Dimensions	8.8" x 9.7" x 6.5"		

### DIMENSIONAL DRAWING



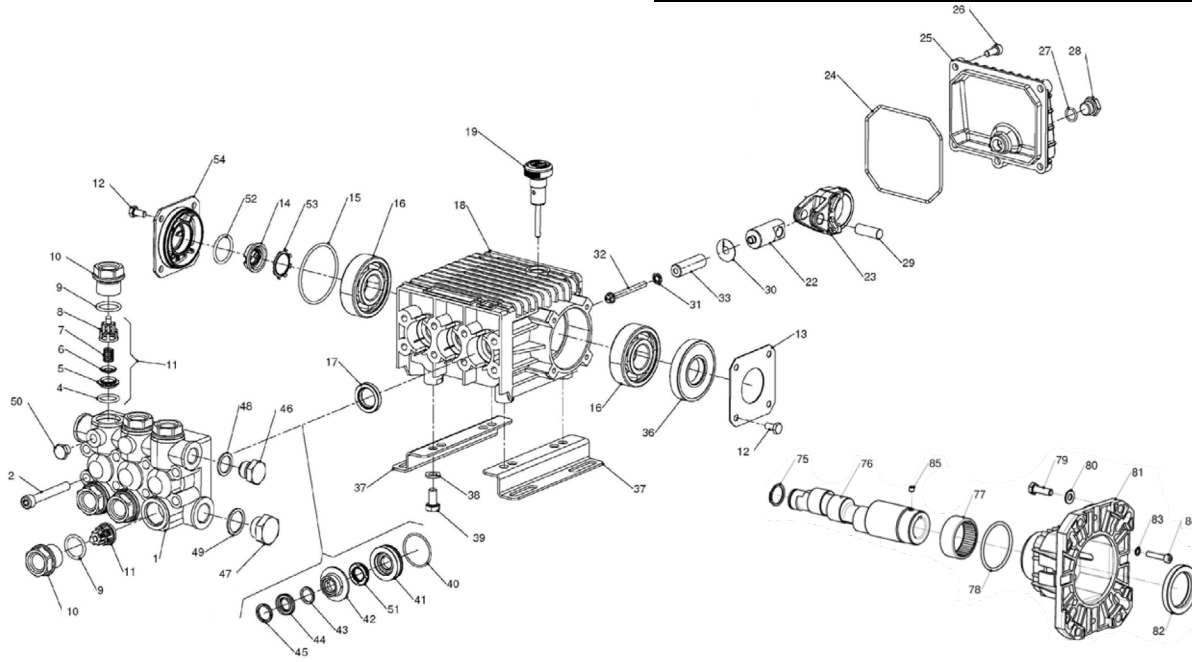
General Pump is a member of the Interpump Group

Ref 300071 Rev. P  
07-22



# EZ Series 44 - Triplex

**GENERAL PUMP** *A member of the Interpump Group*



## PARTS LIST

ITEM	PART NO.	DESCRIPTION	QTY.	ITEM	PART NO.	DESCRIPTION	QTY.	ITEM	PART NO.	DESCRIPTION	QTY.
1.	44120641	Manifold	1	26.	99183700	Screw, M6x14	5	50.	98196600	Cap Screw	1
2.	99317500	Screw	8	27.	701013	O-ring	1	51.	90260300	Seal, Low Pressure	1
4.	701115	O-ring	6	28.	98204250	Cap Screw	1	52.	90385900	O-ring Ø 25.07x2.62	1
5.	36200366	Valve Seat	6	29.	97734000	Pin, Ø10x29.5	3	53.	90067100	Stop Ring	1
6.	36200176	Valve	6	30.	96699000	Washer, Ø7.5x23x0.5	3	54.	53150022	Side Cover	1
7.	94737600	Spring	6	31.	96690500	Washer, Ø5x11.5x0.4	3	75.	90063500	Stop Ring	1
8.	36202551	Valve Cage	6	32.	99169000	Screw, M5x55	3	76.	44020965	Crankshaft (EZ4030G34)	1
9.	701002	O-ring	6	33.	58040009	Plunger, 13 mm x 42	3		44021265	Crankshaft (EZ4035G34)	1
10.	98222600	Cap Screw	6	36.	90164100	Ring, Rad. Ø25x62x10	1		44022165	Crankshaft (EZ4040G)	1
11.	36741501	Valve Assembly	6	37.	50200074	Rail	2	77.	91856800	Bushing	1
12.	99180700	Screw, M6x10	8	38.	96701600	Washer	4	78.	90409700	O-ring, Ø55.56x3.53	1
13.	50150074	Side Bearing Cover	1	39.	99303700	Nut	4	79.	99275500	Screw, 5/16"-24x1"	4
14.	53210851	Oil Site Glass	1	40.	90361200	O-ring	3		99334600	Screw, 3/8"-16x1"-14	4
15.	90389800	O-ring, Ø56.82x2.26	1	41.	44080370	Packing Retainer	3	80.	96702000	Washer, Ø8.4x15x1.5	4
16.	91833100	Ball Bearing	2	42.	44216270	Intermediate Ring	3		96710400	Washer, Ø10.5x16x1	4
17.	90161400	Oil Seal	3	43.	90507600	Packing	3	81.	10051822	Flange	1
18.	44010022	Crankcase	1	44.	90260200	Packing	3	82.	90169000	Ring, Ø45x62x8	1
19.	98210300	Oil Dip Stick	1	45.	44100251	Head Ring	3	83.	96693800	Washer, Ø6.4x10x0.7	1
22.	44050266	Piston Guide	3	46.	98210000	Cap Screw	1	84.	99191200	Screw, M6x30	1
23.	44030022	Connecting Rod	3	47.	98217600	Cap Screw	1	85.	99179000	Screw, M6x6	1
24.	90392000	O-ring, Ø101.27x2.62	1	48.	96738000	Washer	1				
25.	44160022	Rear Cover	1	49.	96751400	Washer	1				

## REPAIR KITS

KIT NO.	K23	K123	K124	K152	K153	K154	K155	K156
ITEM NO's INCLUDED IN KIT	17	4, 5, 6, 7, 8, (11)	9, 10	40, 41	43, 44, 51	42	45	40, 41, 42, 43, 44, 45, 51
NUMBER OF ASSEMBLIES IN KIT	3	6	6	3	3	3	3	1
NUMBER OF CYLINDERS KIT WILL SERVICE	3	3	3	3	3	3	3	1

## TORQUE SPECS\*

Pos.	Ft/lb	N-M
2	14.7	20
10	95.9	130
12	7.3	10
26	7.3	10
28	14.7	20
32	6	4
39	20	15
46	29.4	40
47	29.4	40
50	9.6	13
88	7.3	10

\* Decrease torque by 20% if threads are lubricated

**WARNING: High Pressure Systems require a primary pressure regulating device (i.e. regulator, unloader) and a secondary pressure relief device (i.e. pop-off valve, relief valve). Failure to install such relief devices properly could result in personal injury or damage to pump or property. GP does not assume any liability or responsibility for the operation of the user's high pressure system.**



WARNING: This product can expose you to chemicals including lead, which is known to the state of California to cause cancer and birth defects or other reproductive harm. For more information, go to [www.P65Warnings.ca.gov](http://www.P65Warnings.ca.gov)

**GENERAL PUMP** 1174 Northland Drive • Mendota Heights, MN 55120  
Phone: 651.686.2199 • Fax: 800.535.1745 • e-mail: [sales@gpcompanies.com](mailto:sales@gpcompanies.com) • [www.generalpump.com](http://www.generalpump.com)

Ref 300071 Rev. P  
07-22

